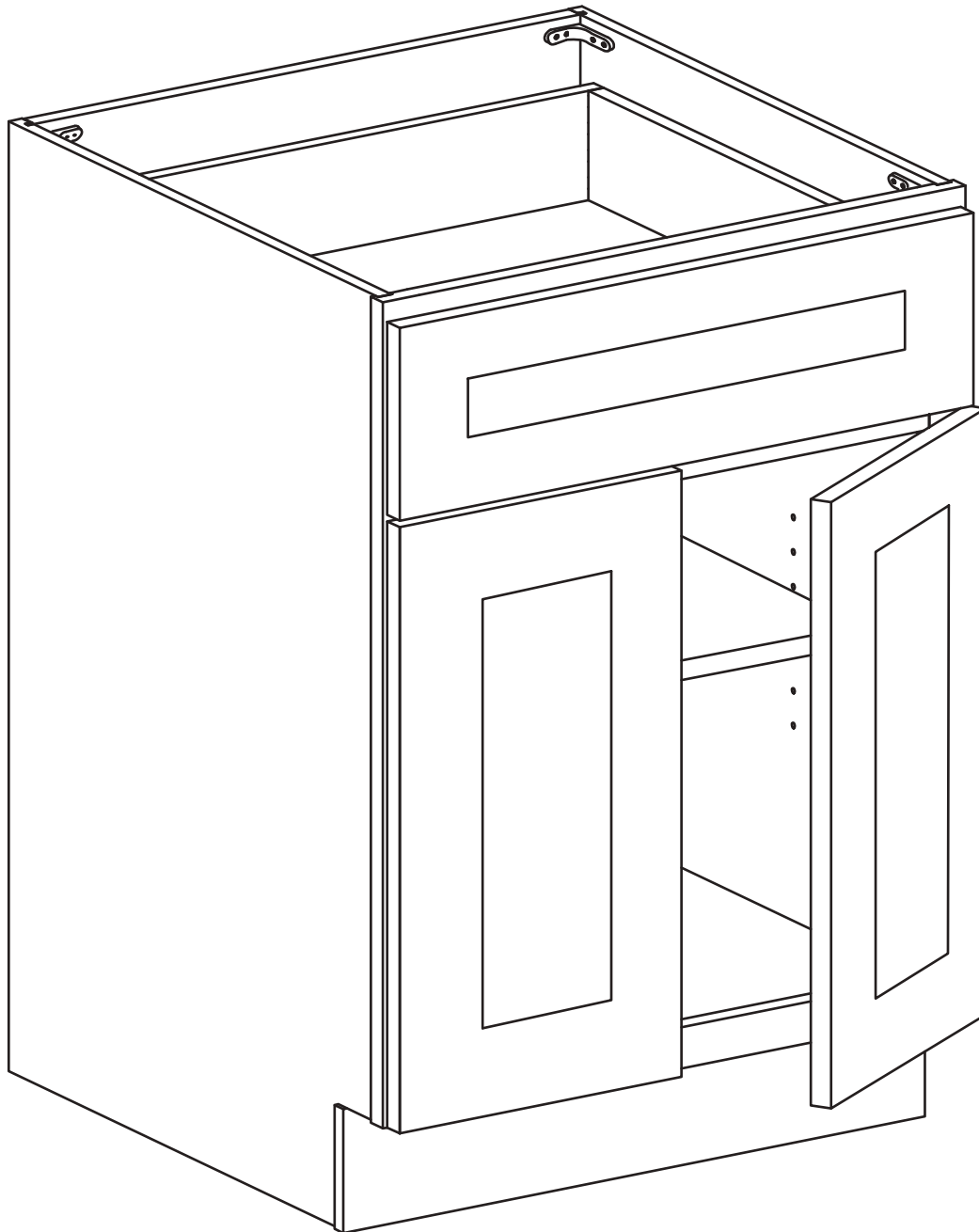


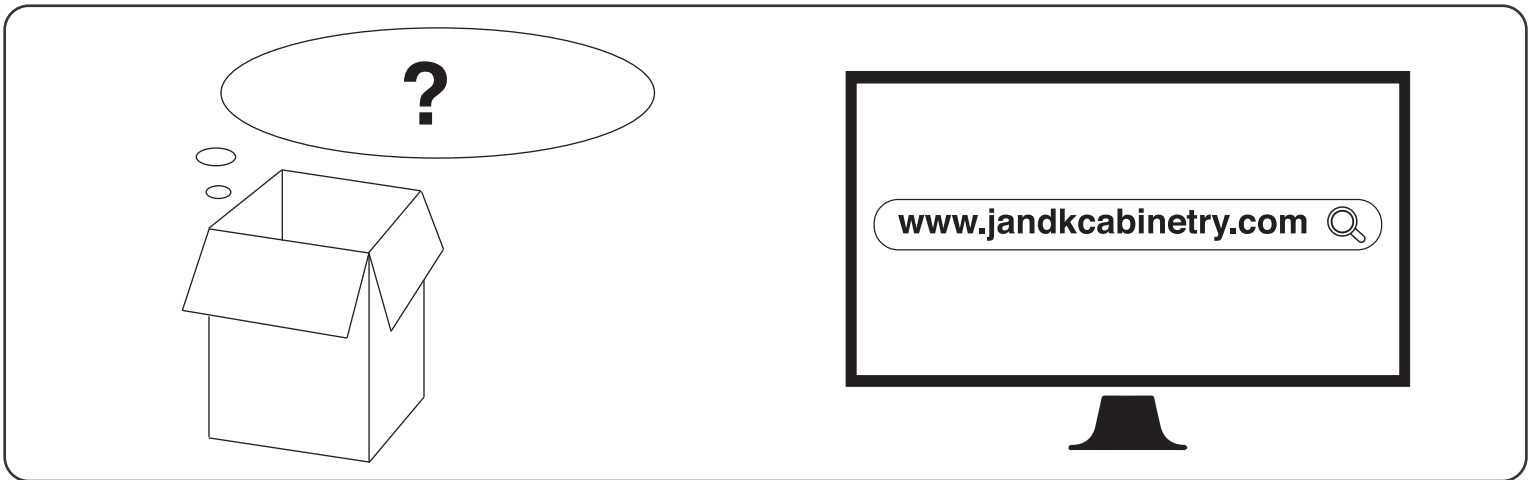
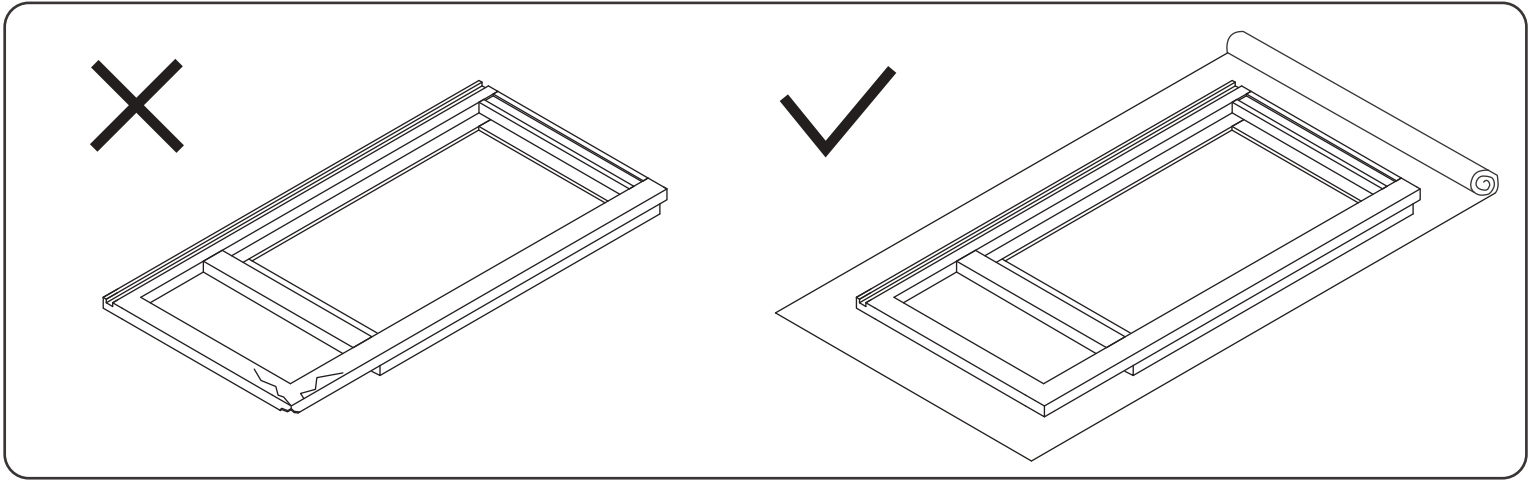
Assembly Instruction

2020 Edition



Base Cabinet With 1 Drawer & 2 Doors

Item Code:
B24, B27



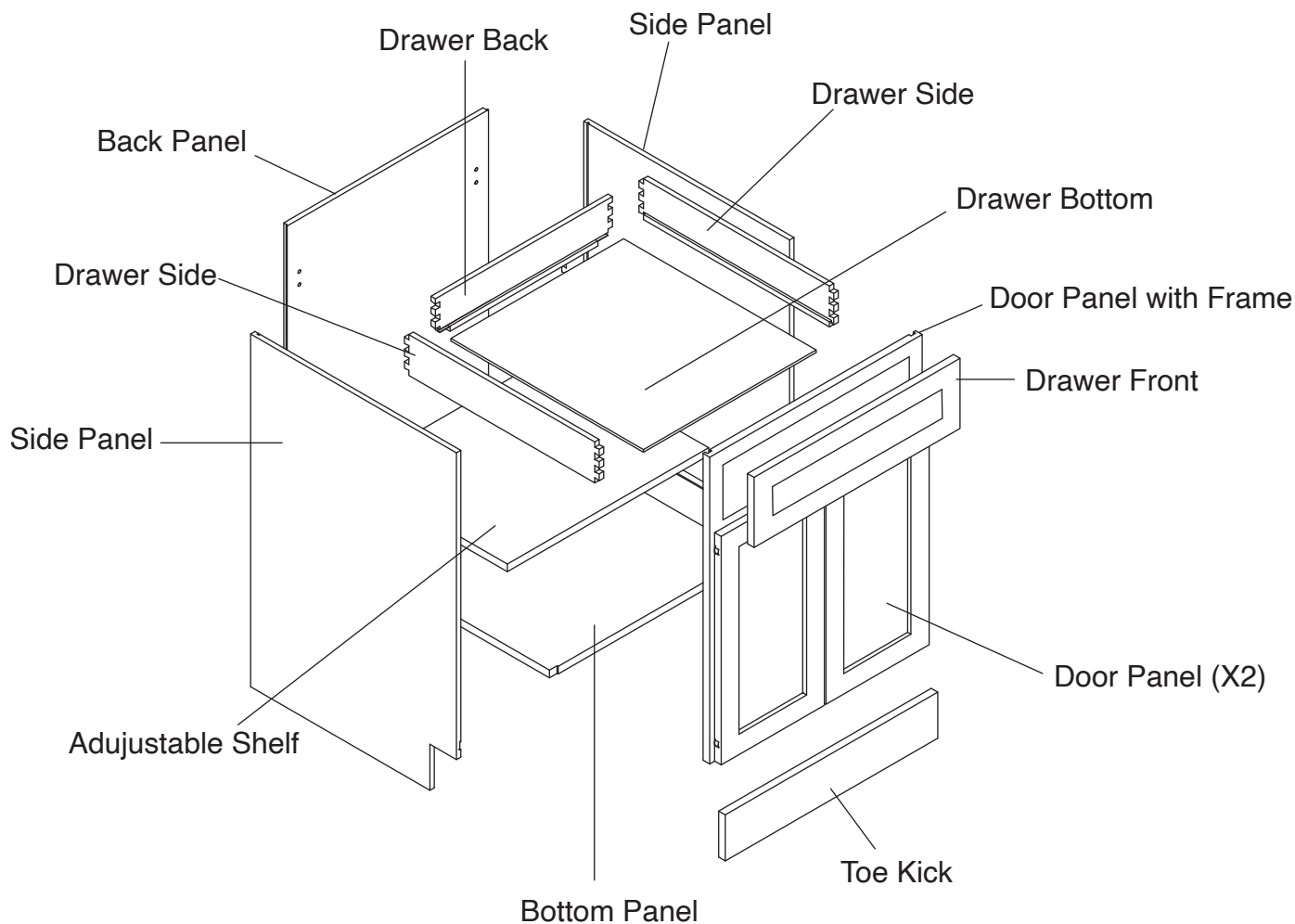
! WARNING:




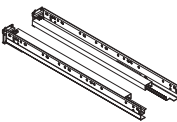
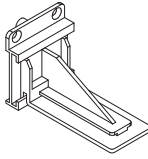
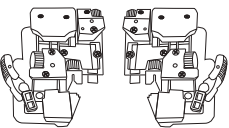
1. Please be careful when opening the box with boxcutter and/or blade.
2. J&K Cabinetry is not responsible for any injuries and/or damages incurred during cabinet assembly.

? SERVICE:

During the installation process, if you encounter any problems, please go to our official website: www.jandkcabinetry.com, check the full version assembly instruction or watch the assembly video online.

Included Items:



	1/2"	19/32"	1-3/16"					
90° Brackets X 4	Screws X 10	Screws X 16	Screws X 4	Door Bumpers X 8	Shelf Pins X 4	Under Mount Drawer Glide Kit X 1	Glide Supports X 2	Glide Locking Kit X 1

Recommended Tools:



Wood Glue



Screw Driver



Rubber Mallet



Compressor



Nail Gun



Stapler



Senco Fastener

Safety Tools:

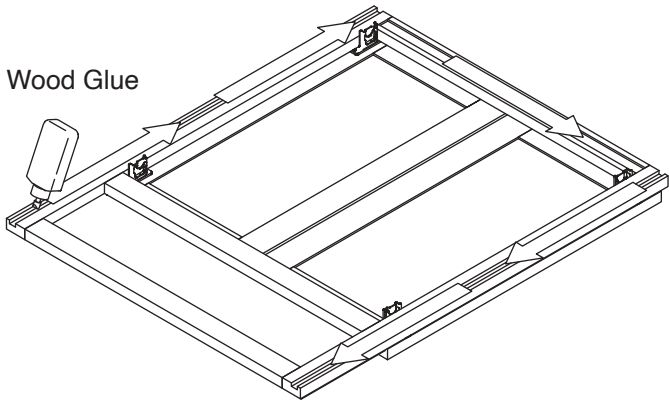


Eye Wear

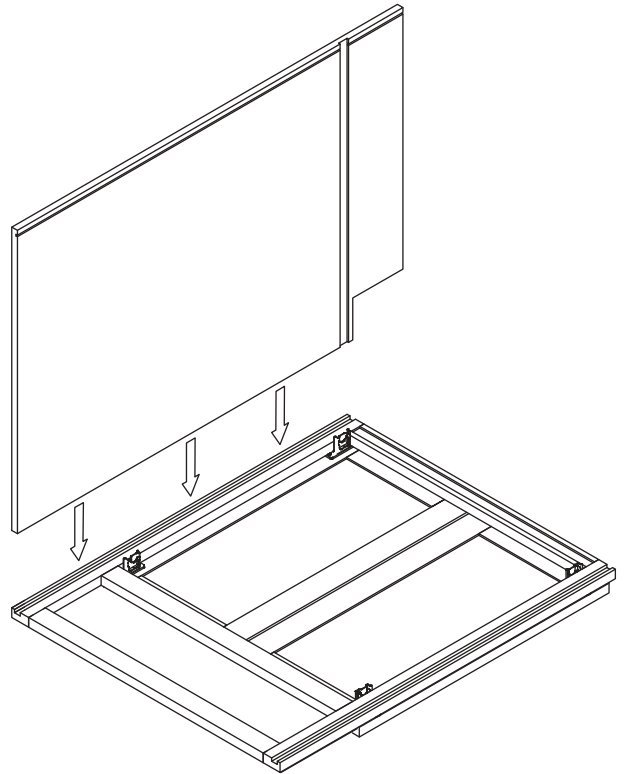


Gloves

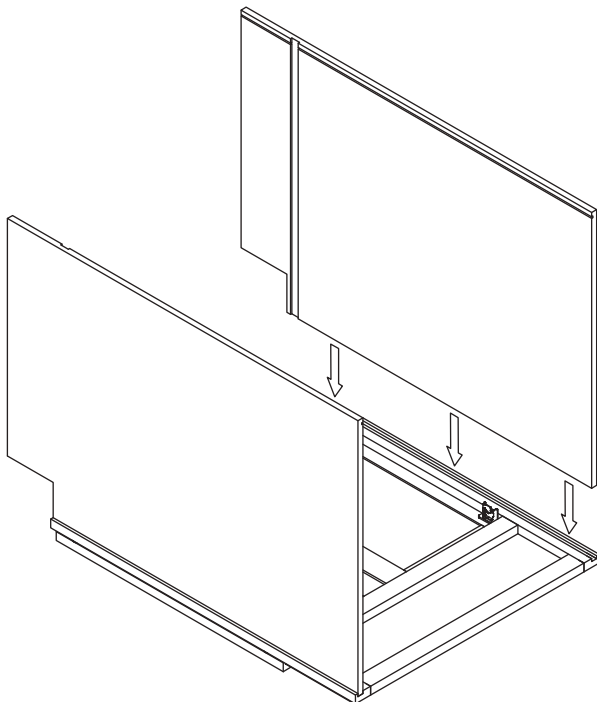
Step 1:



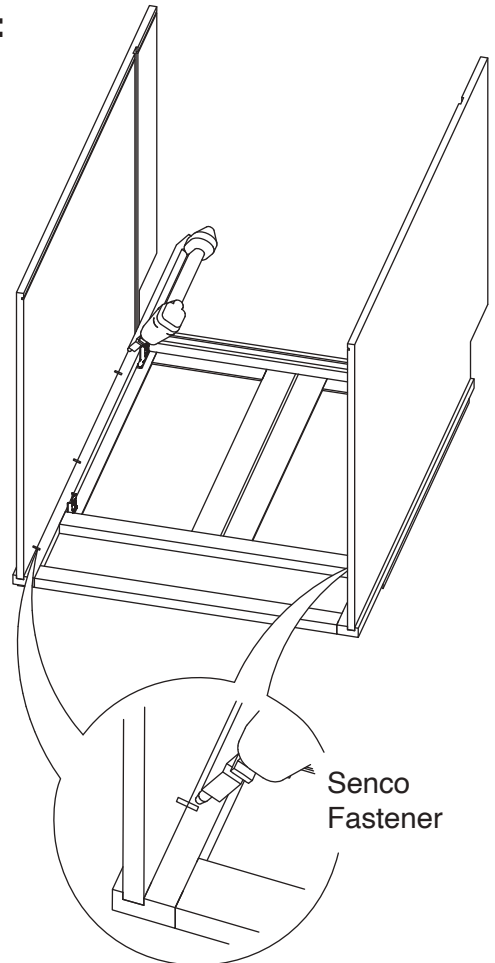
Step 2:



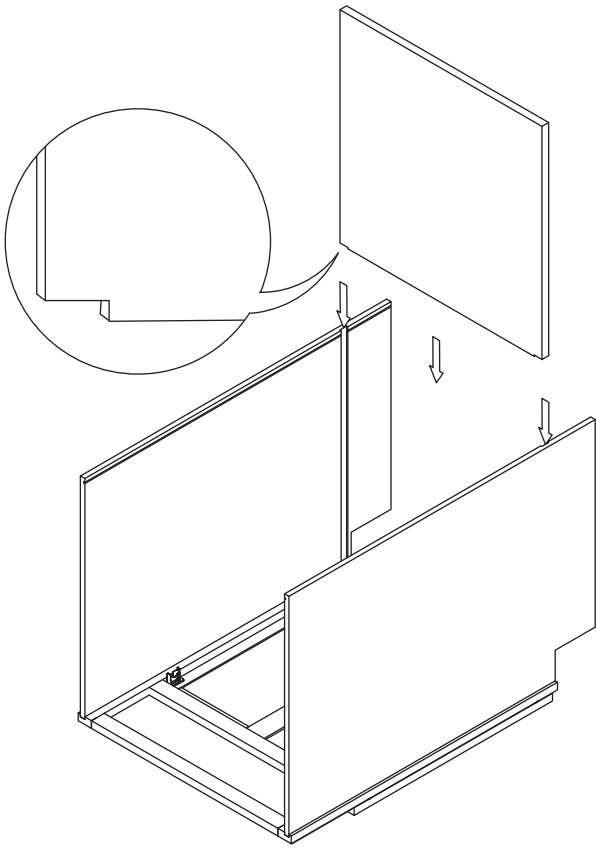
Step 3:



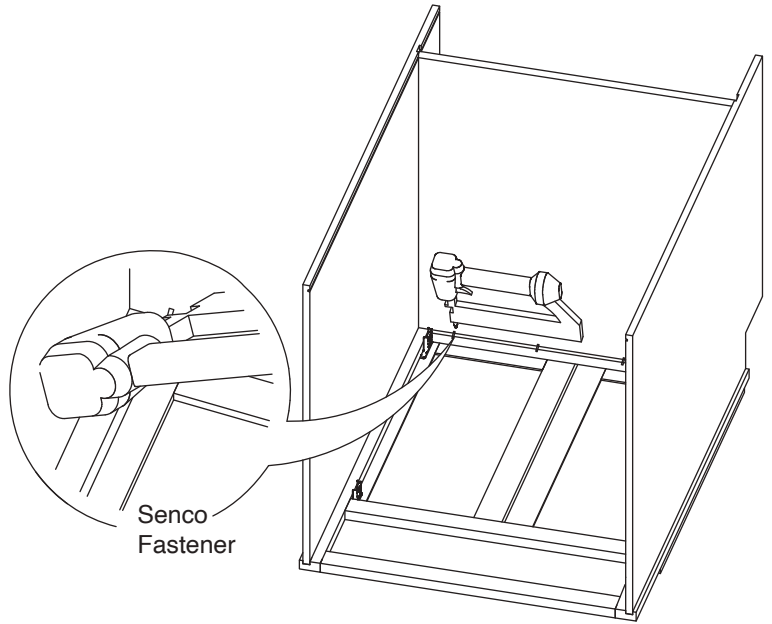
Step 4:



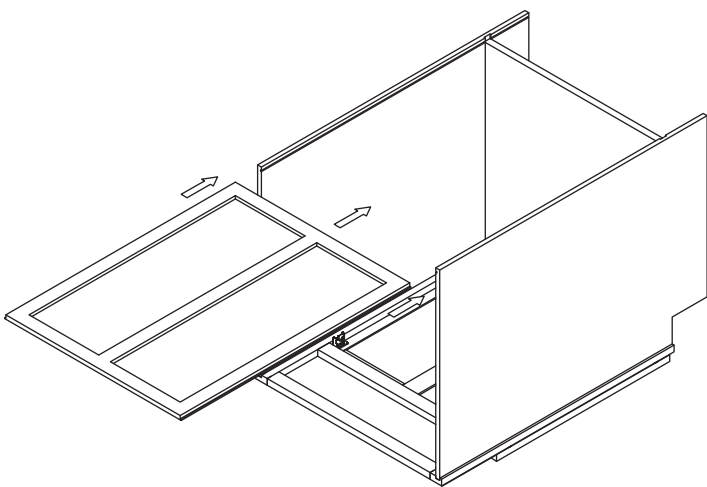
Step 5:



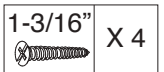
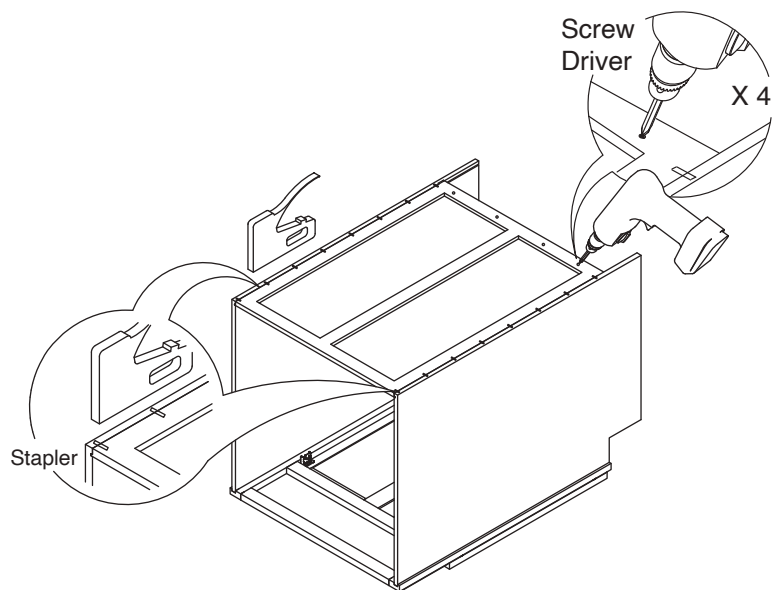
Step 6:



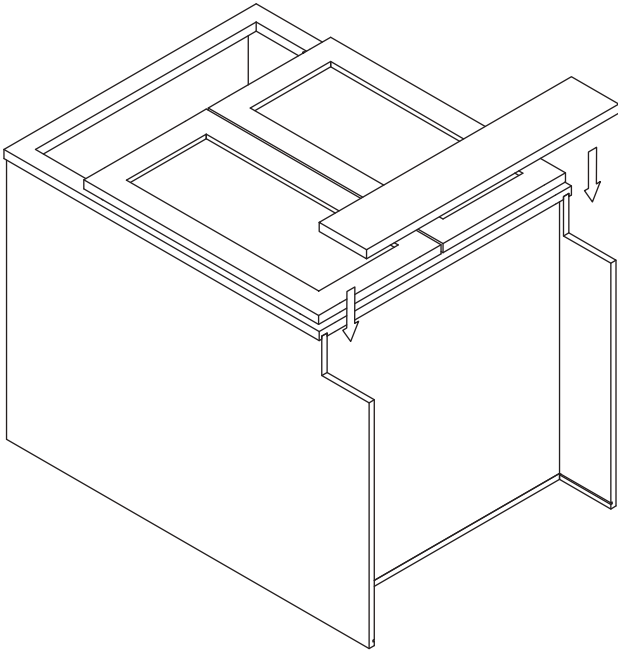
Step 7:



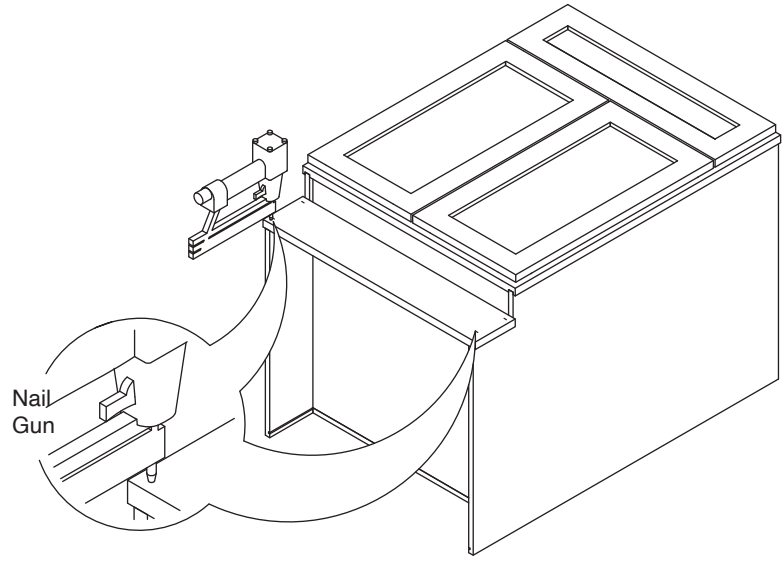
Step 8:



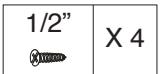
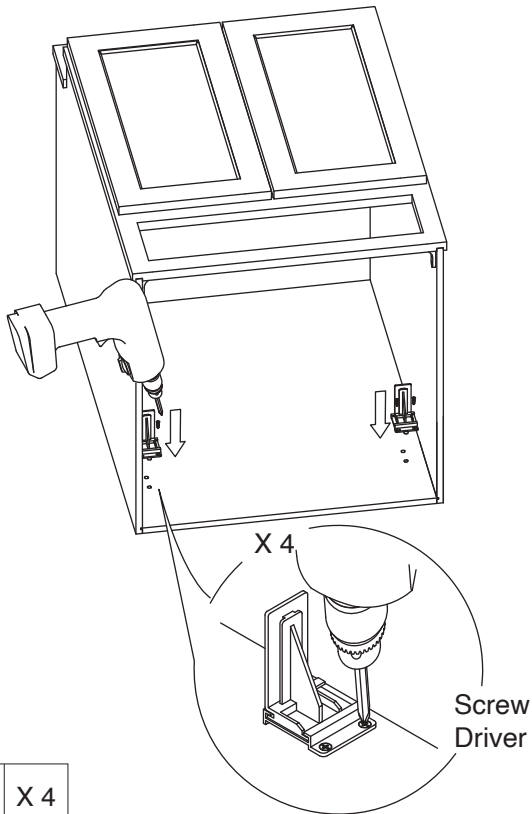
Step 9:



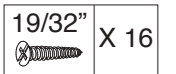
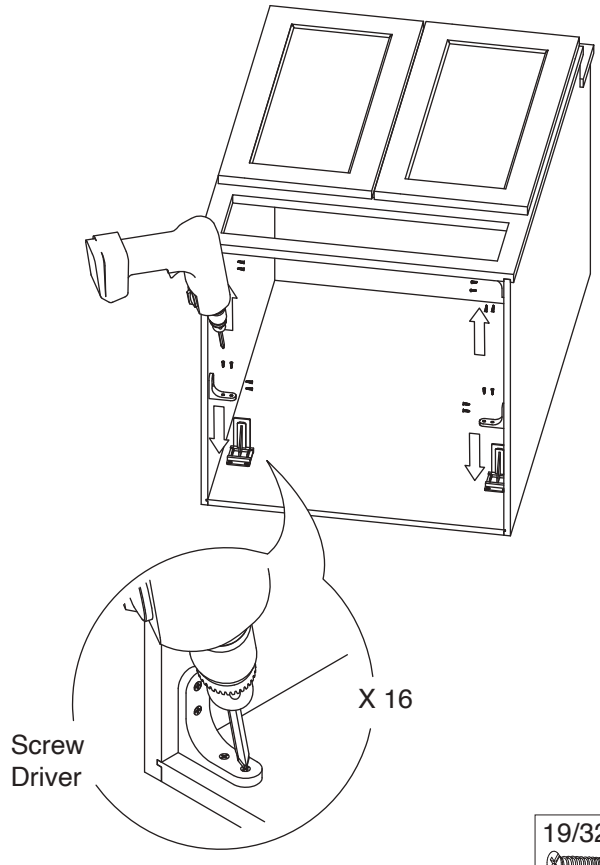
Step 10:



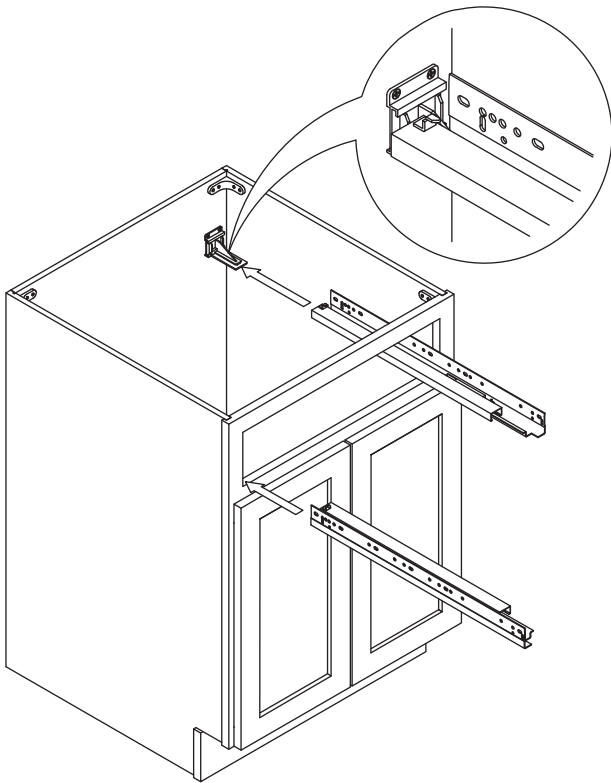
Step 11:



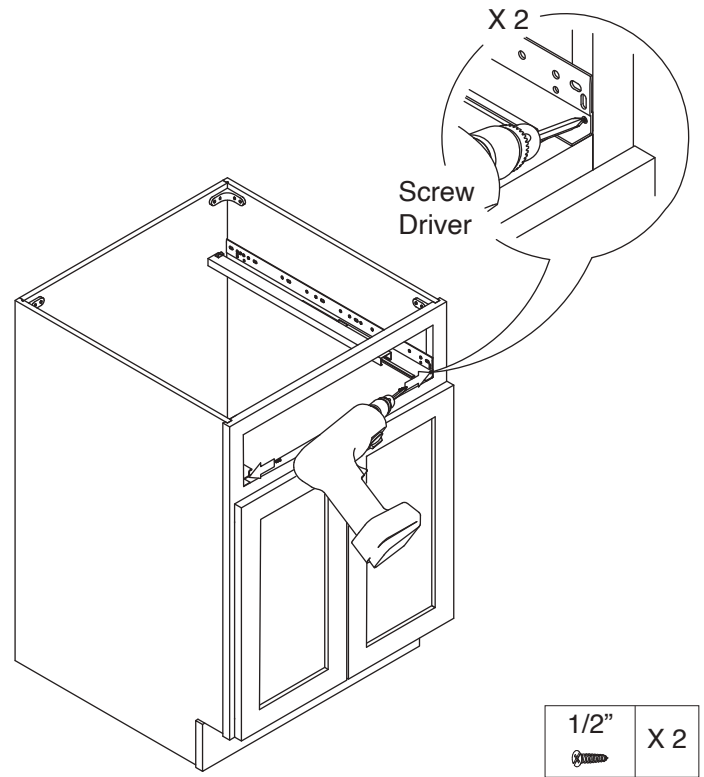
Step 12:



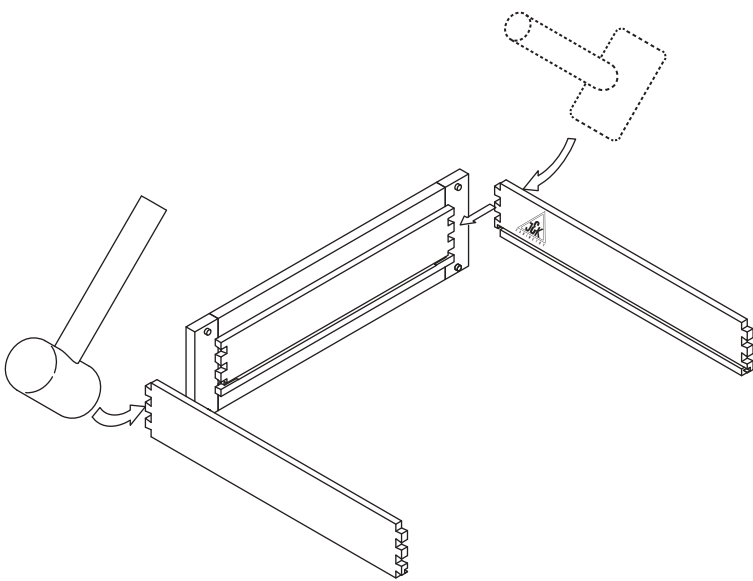
Step 13:



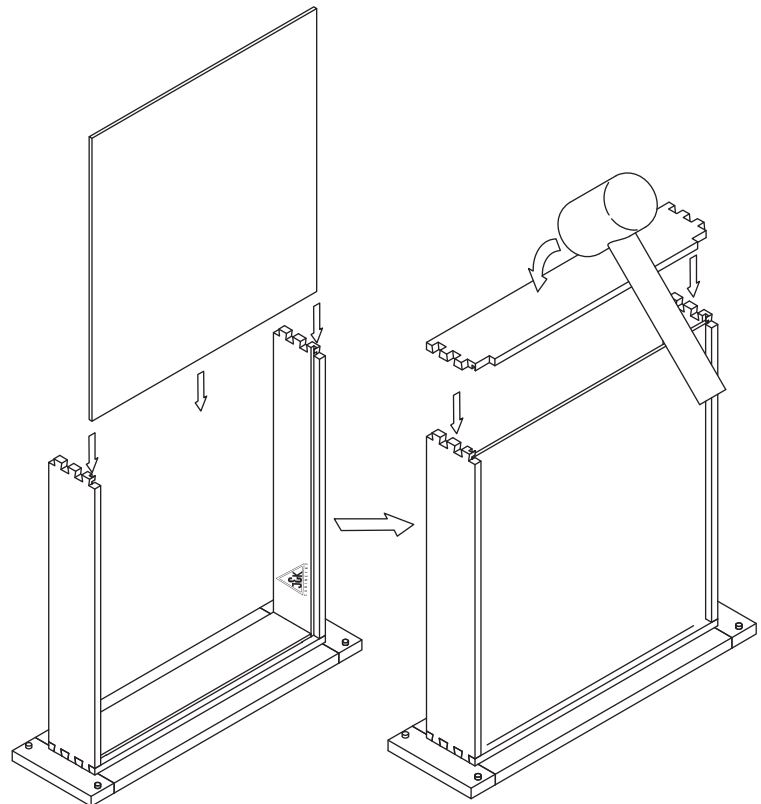
Step 14:



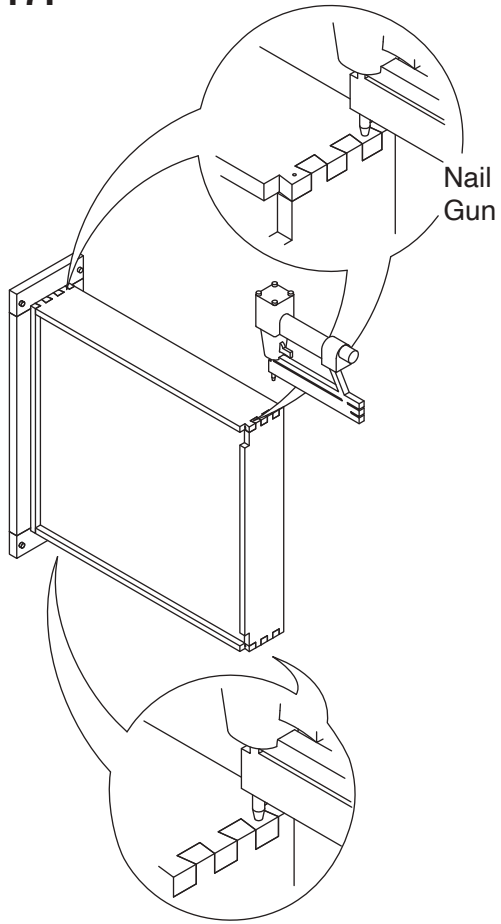
Step 15:



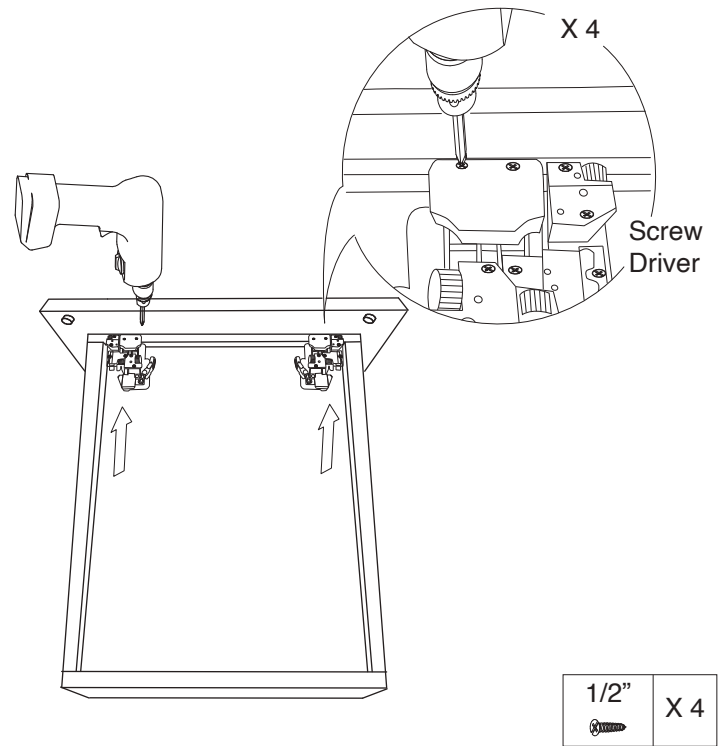
Step 16:



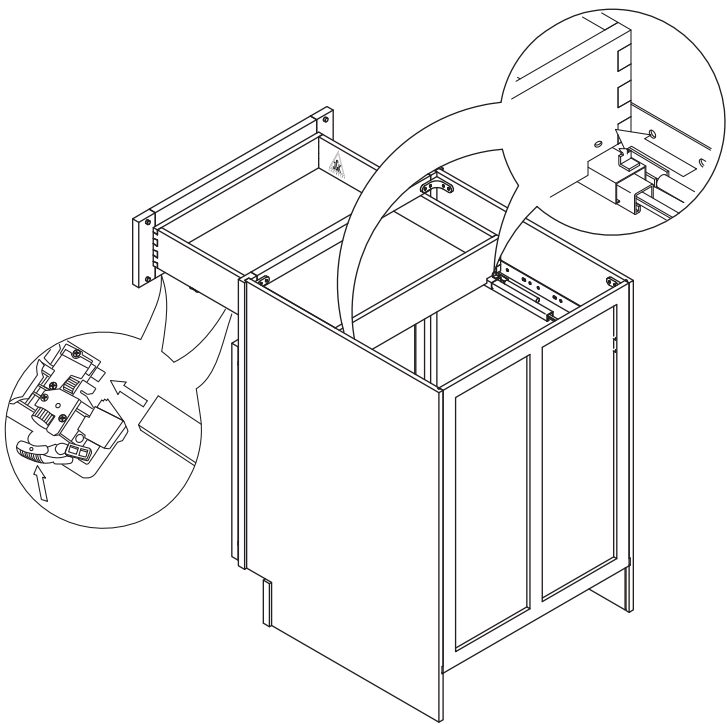
Step 17:



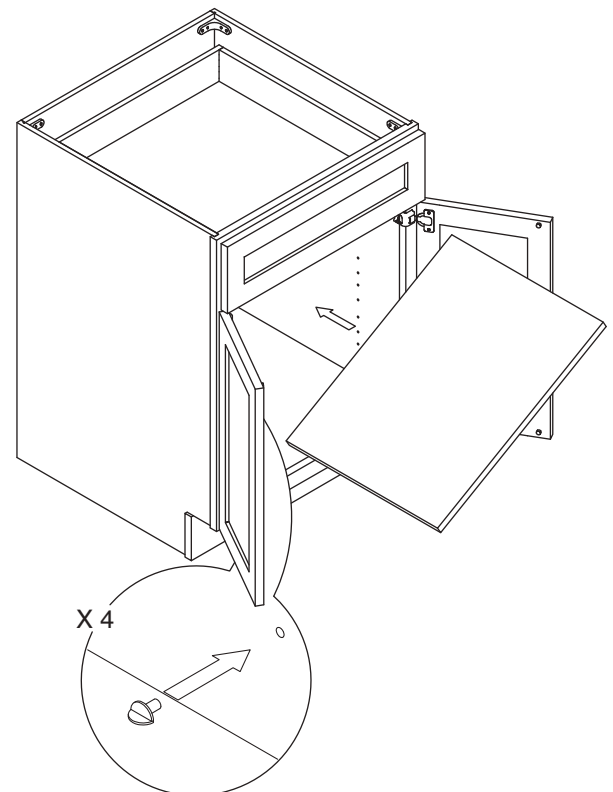
Step 18:



Step 19:



Step 20:



Step 21:

