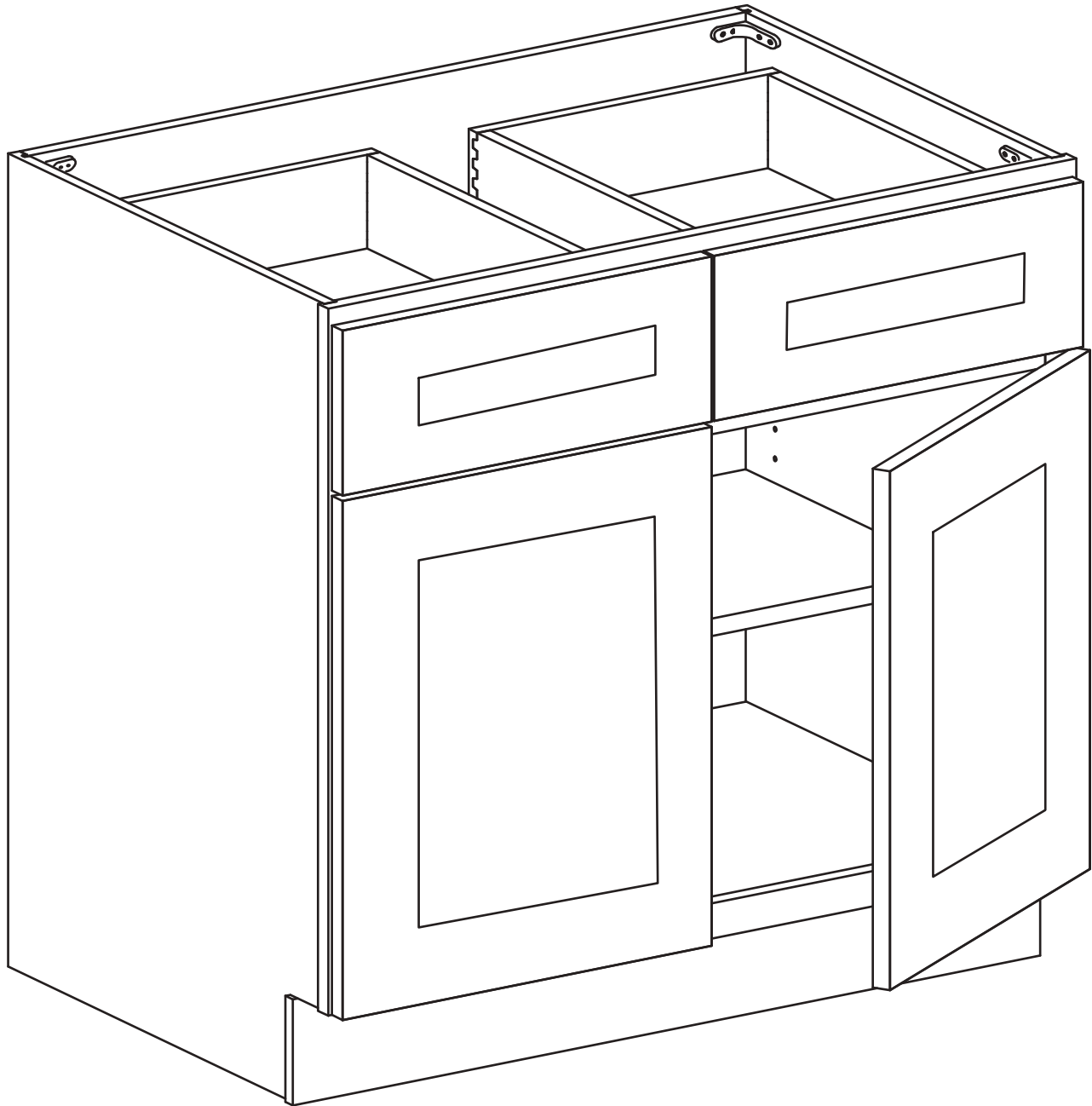


# Assembly Instruction

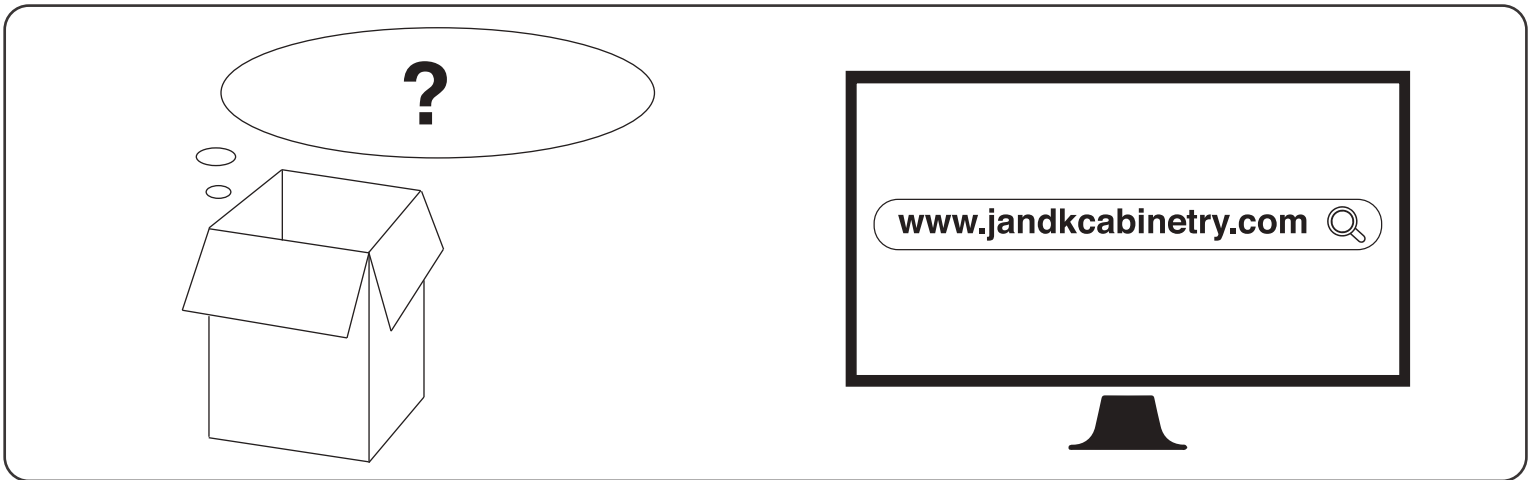
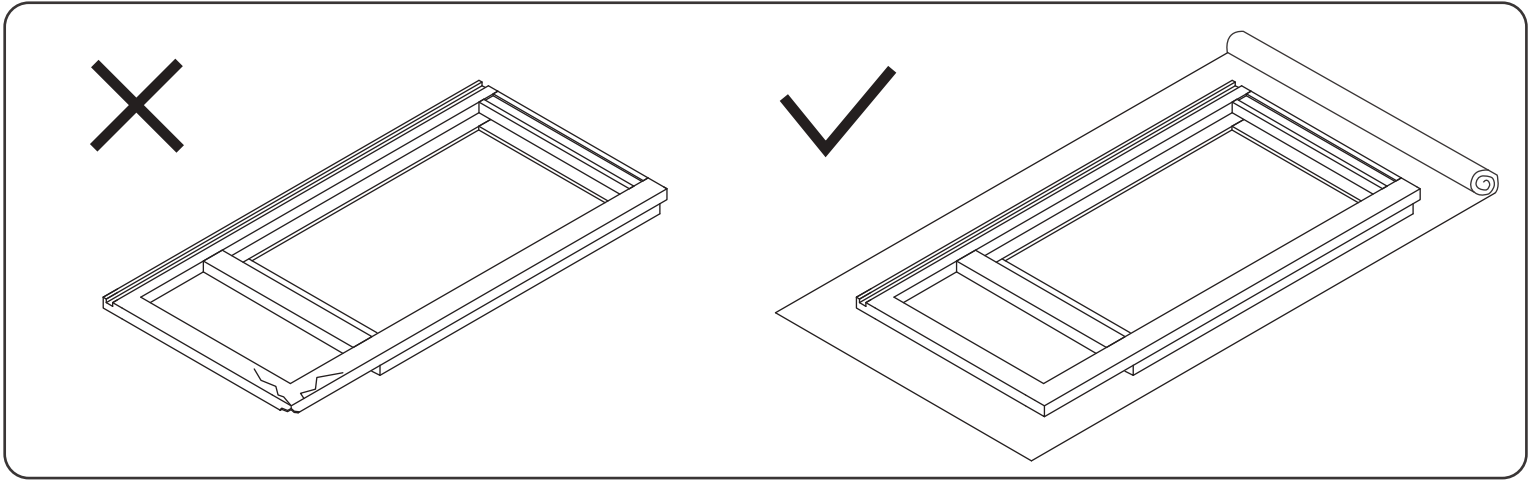
2020 Edition



## Base Cabinet With 2 Drawers & 2 Doors

Item Code:

B30, B33, B36, B42



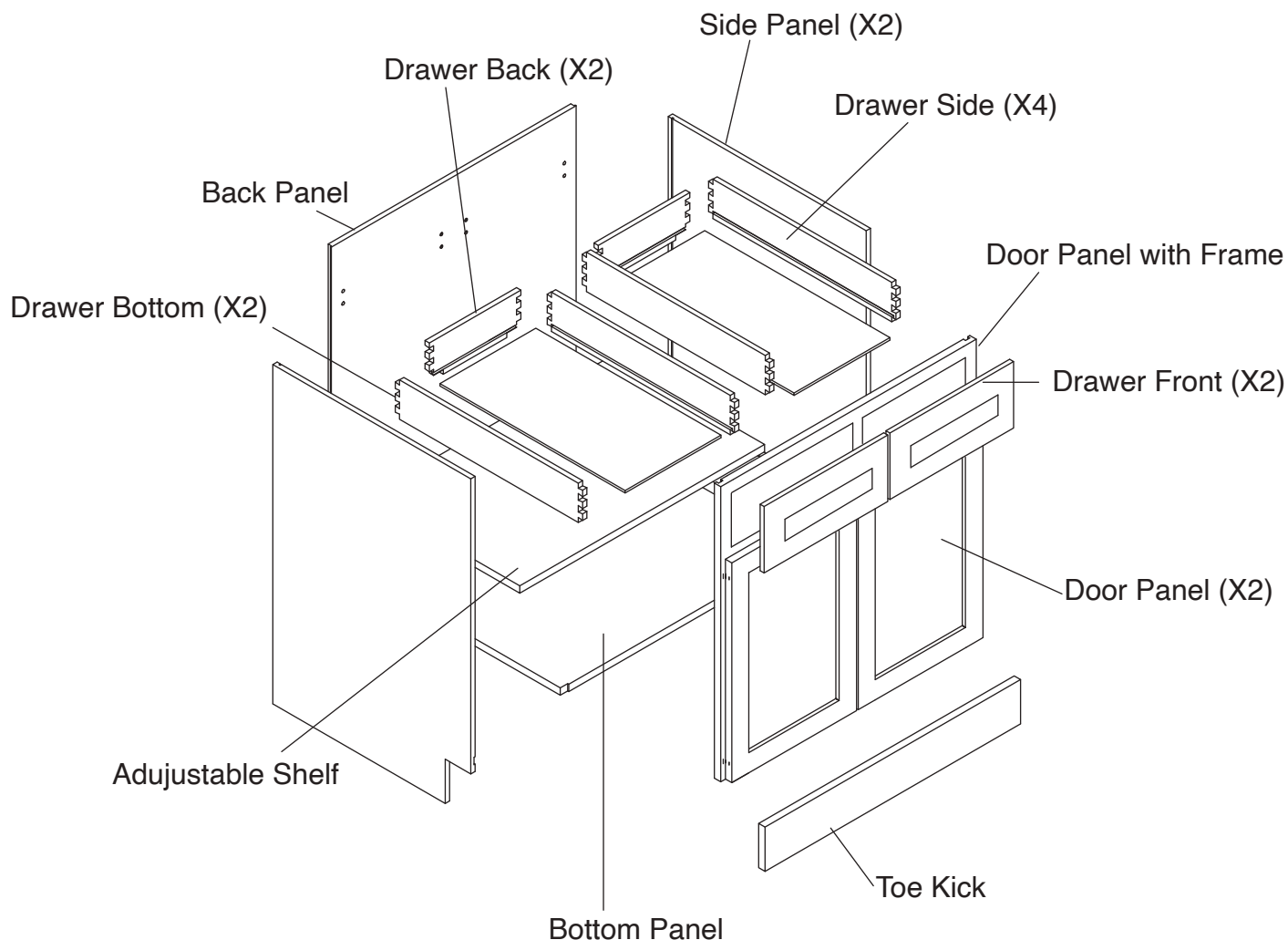
**! WARNING:**







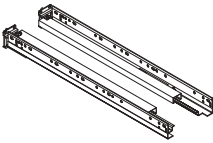
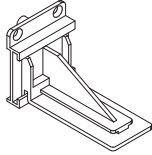
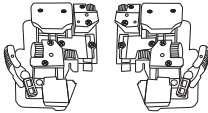
1. Please be careful when opening the box with boxcutter and/or blade.
2. J&K Cabinetry is not responsible for any injuries and/or damages incurred during cabinet assembly.

**? SERVICE:**

During the installation process, if you encounter any problems, please go to our official website: [www.jandkcabinetry.com](http://www.jandkcabinetry.com), check the full version assembly instruction or watch the assembly video online.

# Included Items:



								
90° Brackets X 4	Screws X 20	Screws X 16	Screws X 4	Door Bumpers X 12	Shelf Pins X 4	Under Mount Drawer Glide Kits X 2	Glide Supports X 4	Glide Locking Kits X 2

## Recommended Tools:



Wood Glue



Screw Driver



Rubber Mallet



Compressor



Nail Gun



Stapler



Senco Fastener

## Safety Tools:

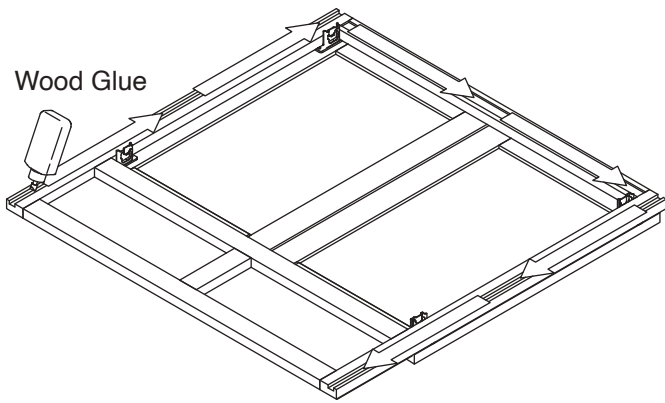


Eye Wear

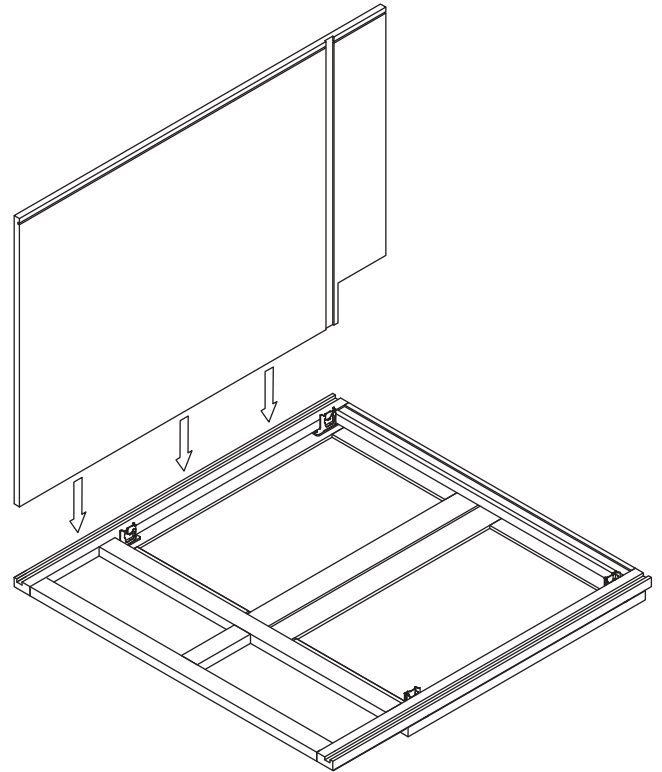


Gloves

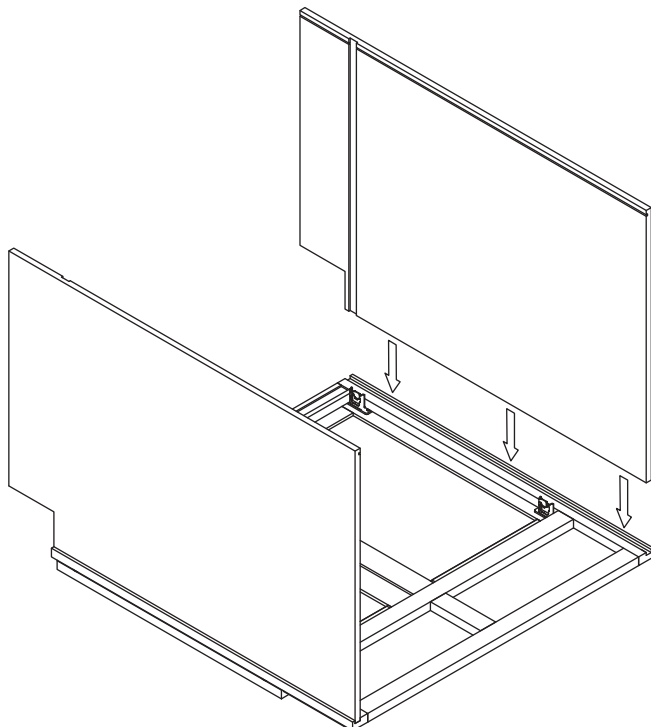
**Step 1:**



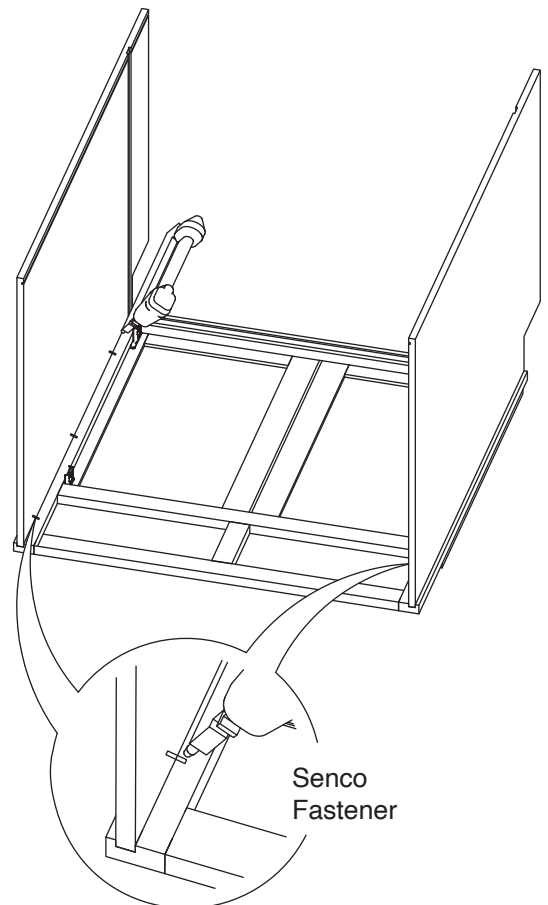
**Step 2:**



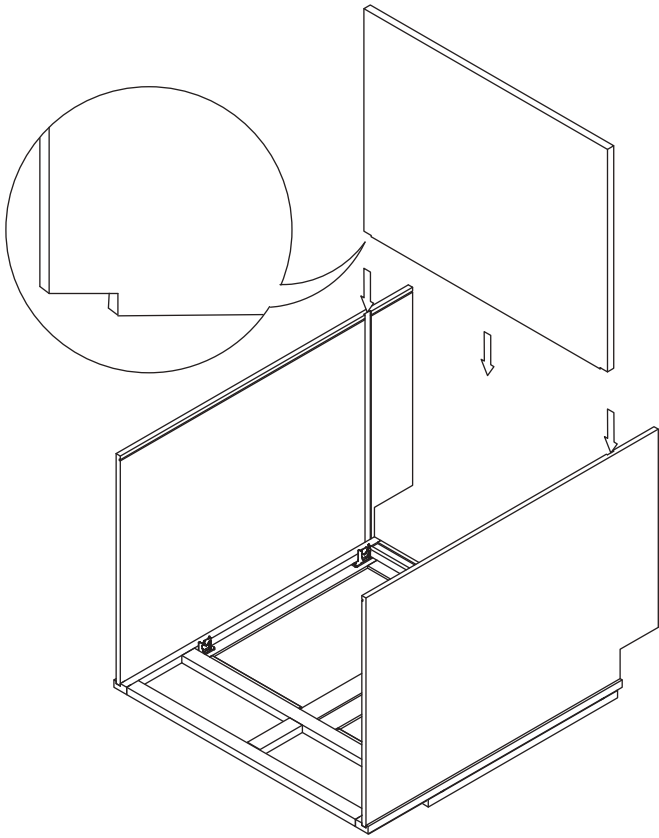
**Step 3:**



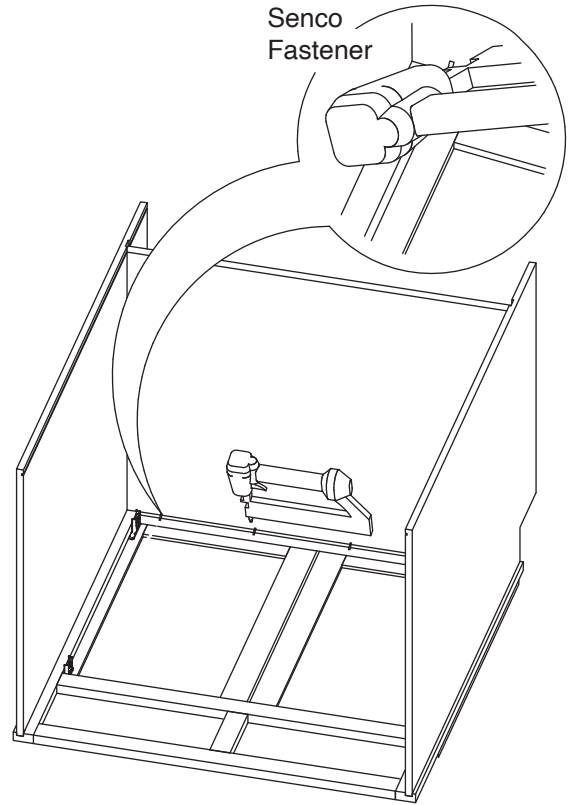
**Step 4:**



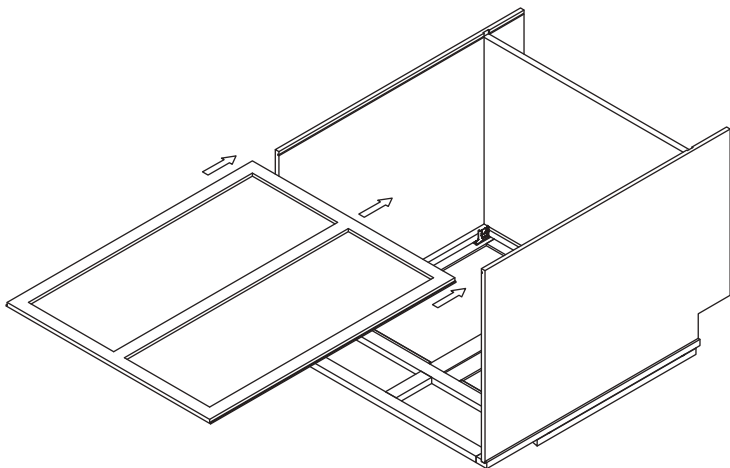
**Step 5:**



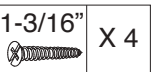
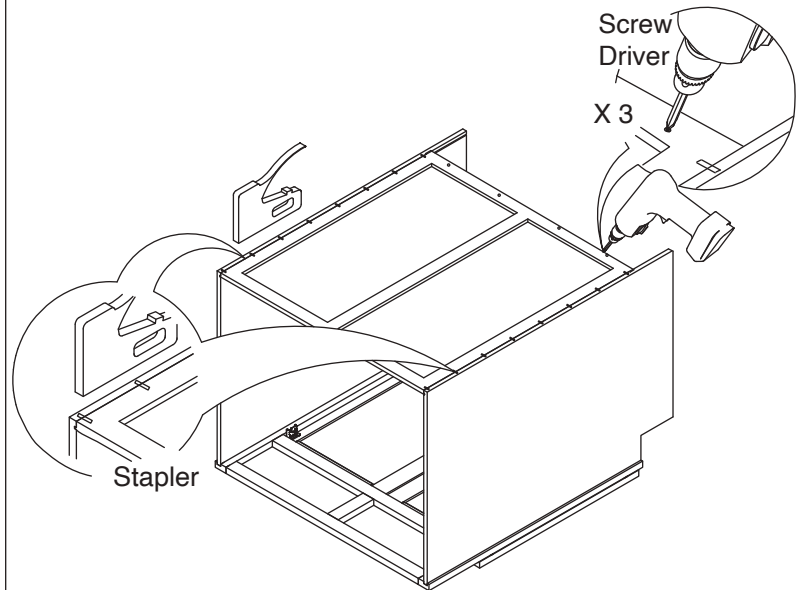
**Step 6:**



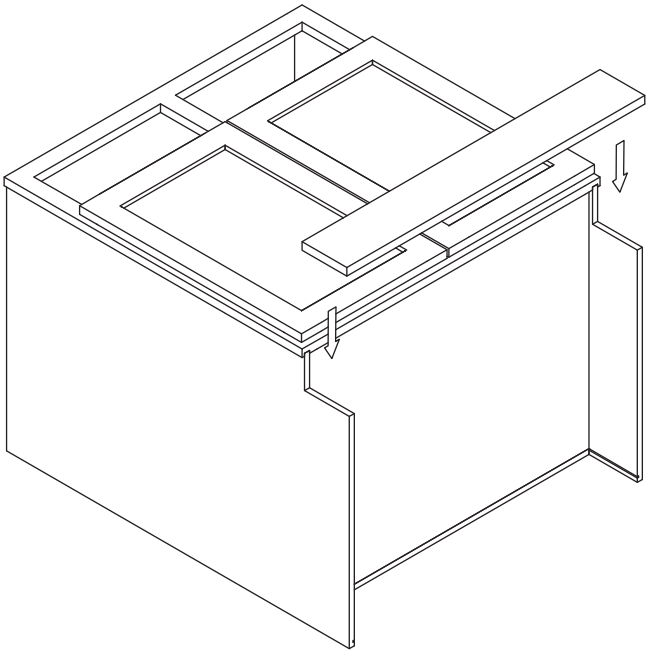
**Step 7:**



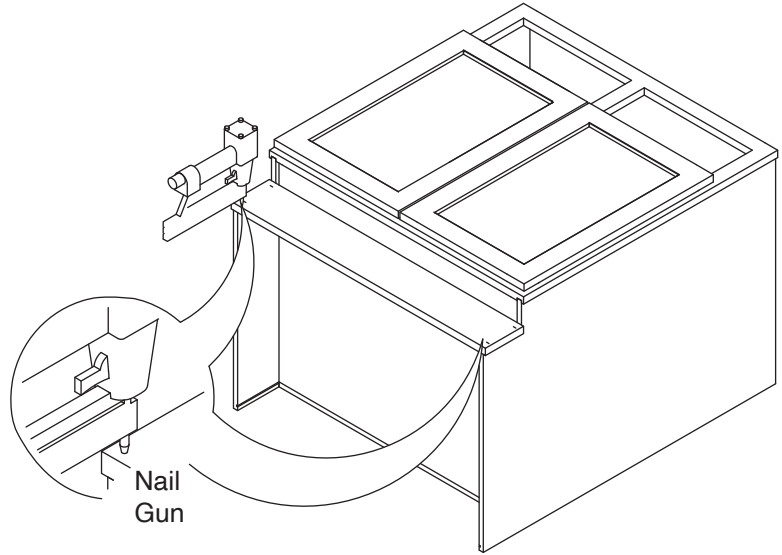
**Step 8:**



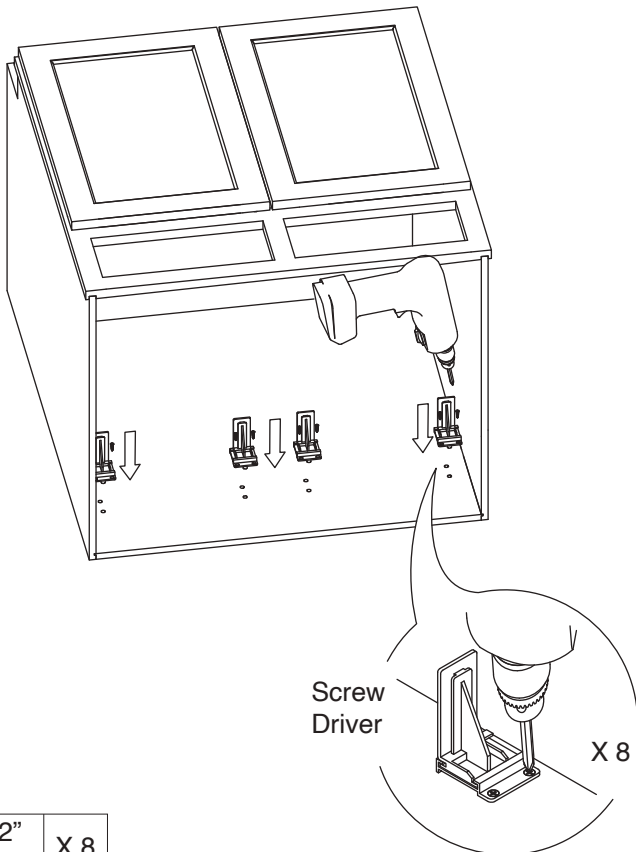
### Step 9:



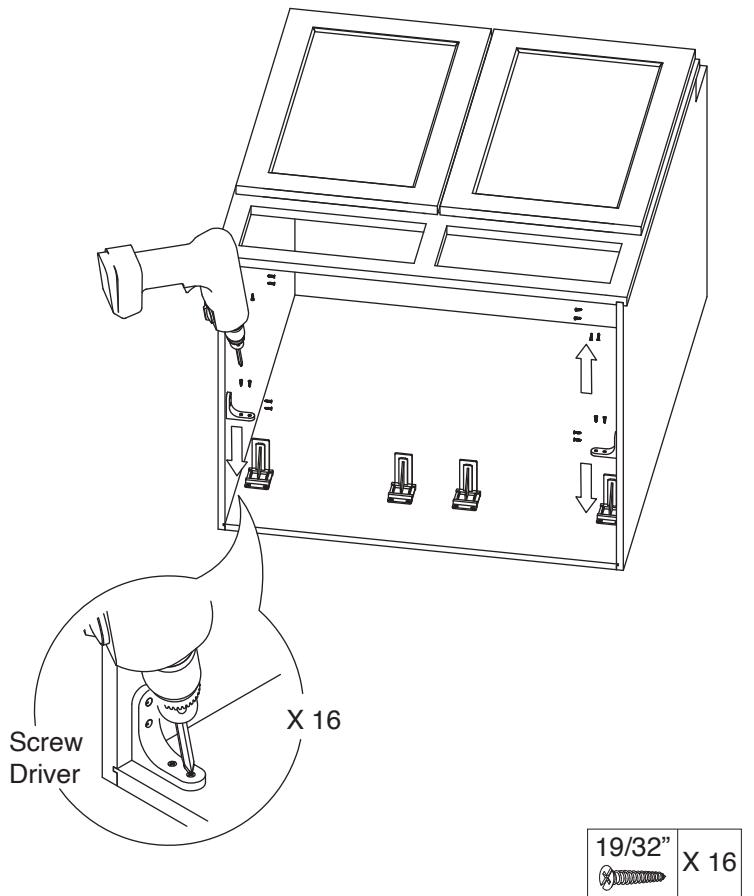
### Step 10:



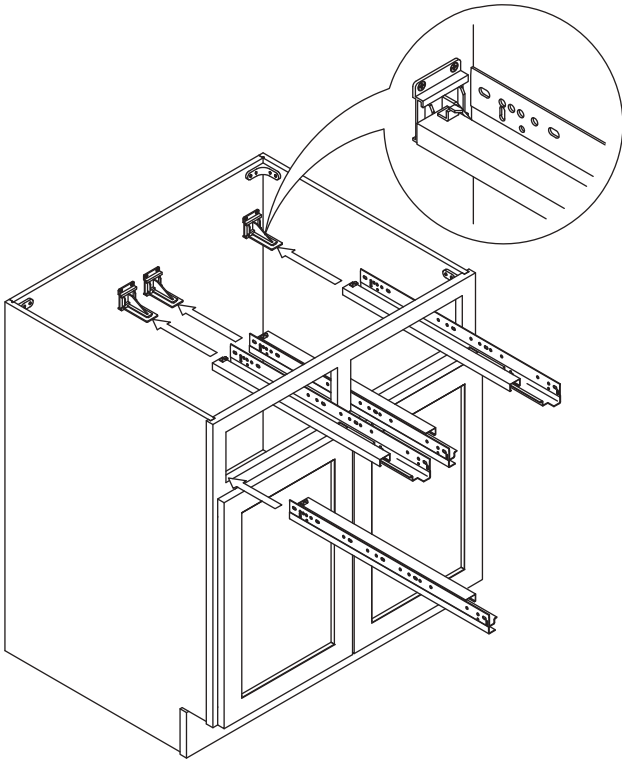
### Step 11:



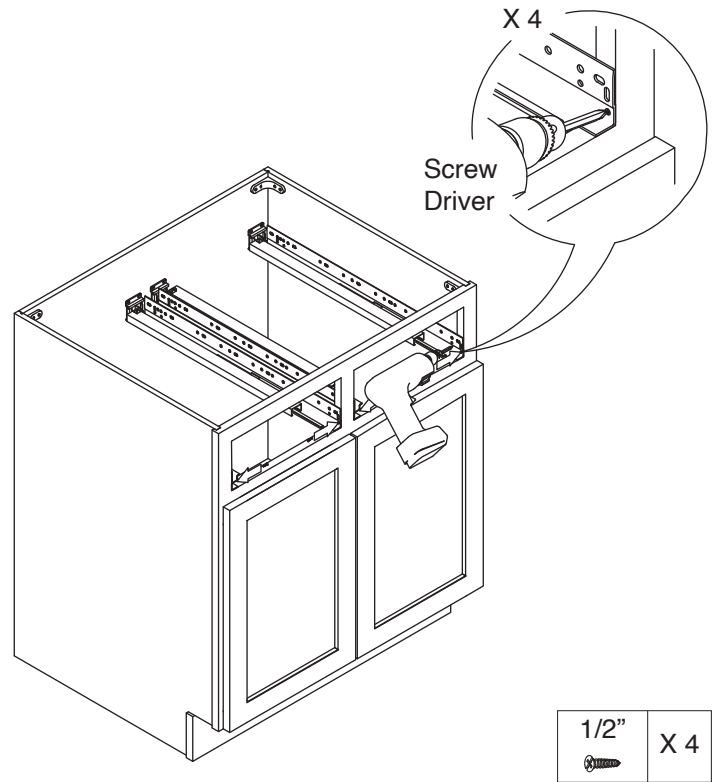
### Step 12:



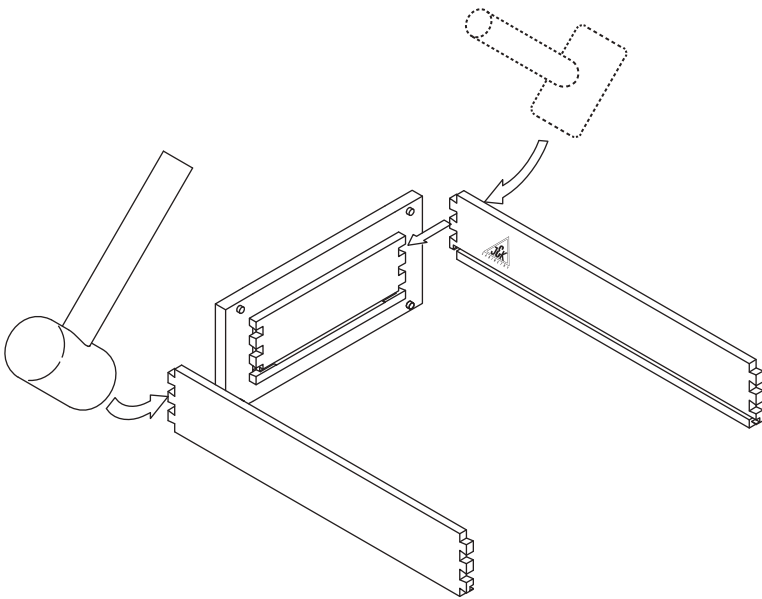
### Step 13:



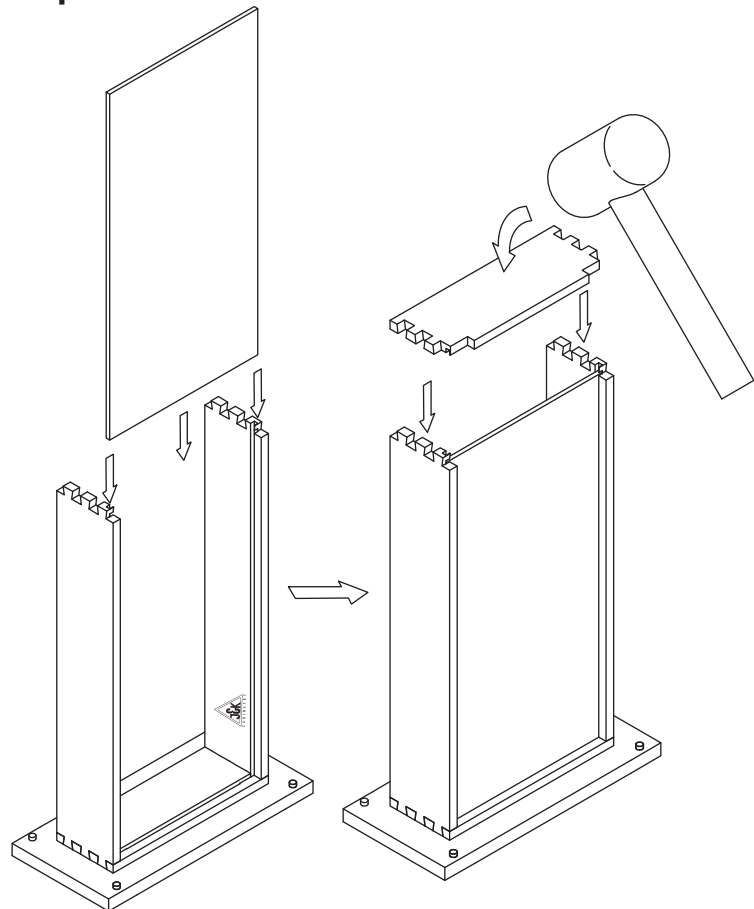
### Step 14:



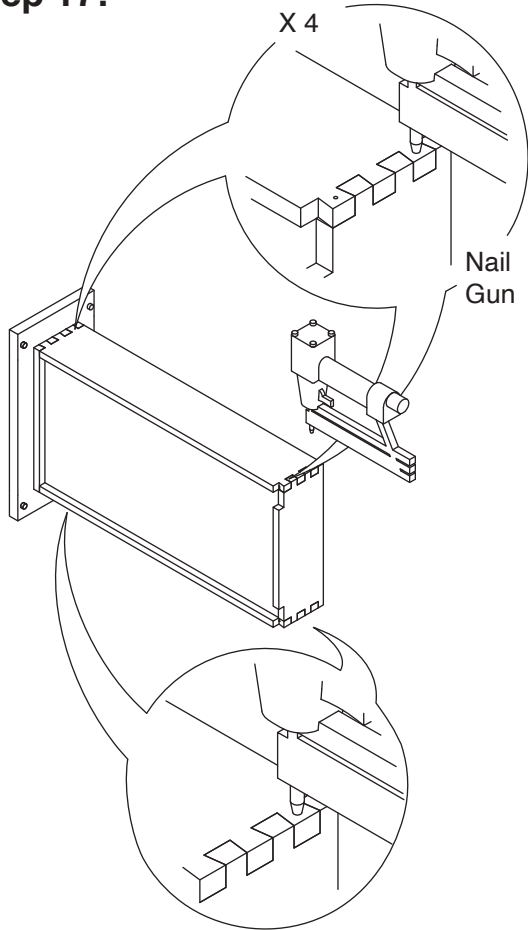
### Step 15:



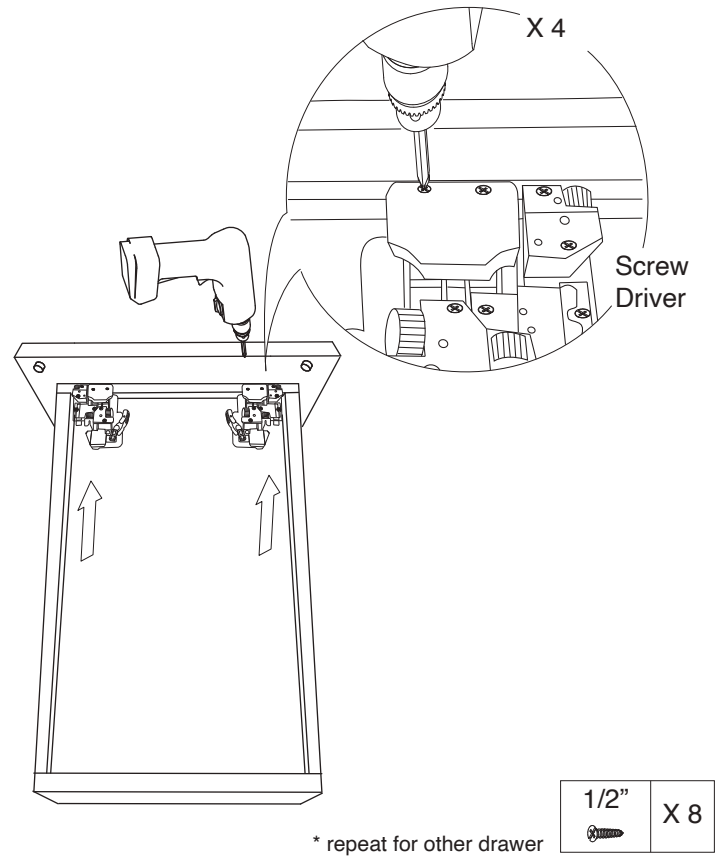
### Step 16:



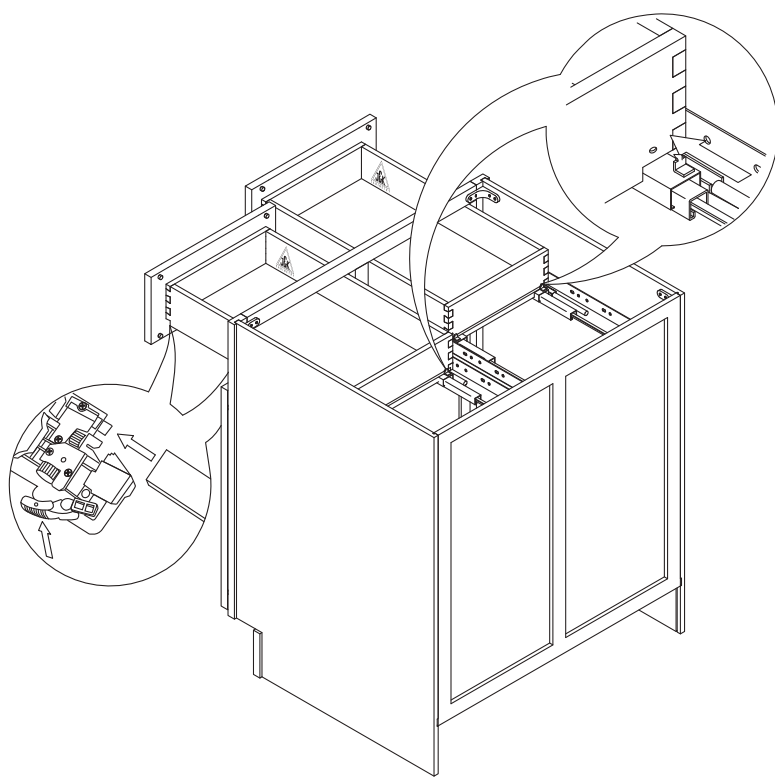
### Step 17:



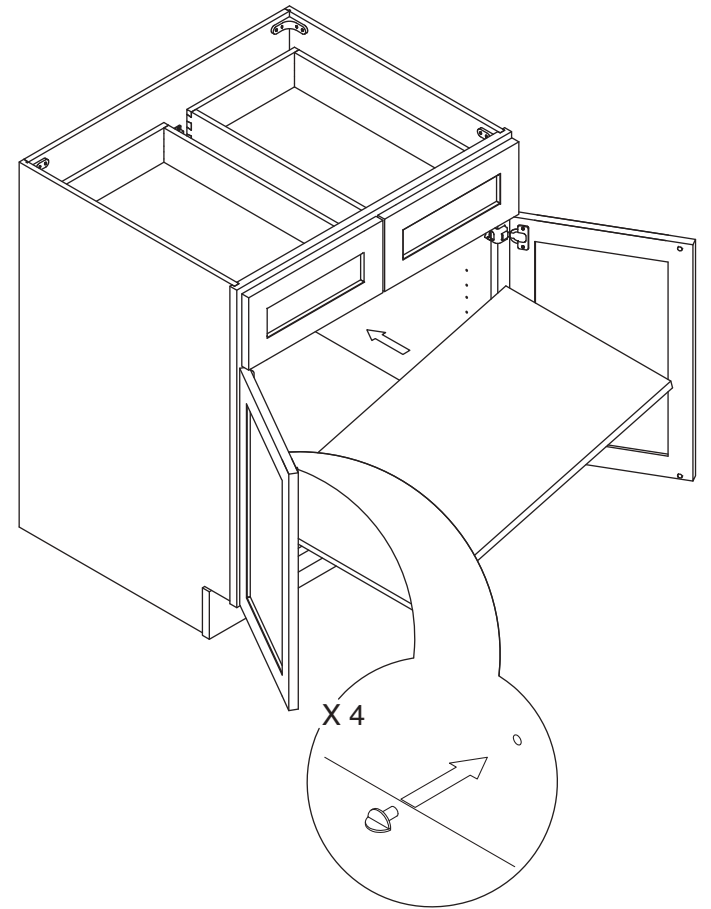
### Step 18:



### Step 19:



### Step 20:





**Step 21:**

