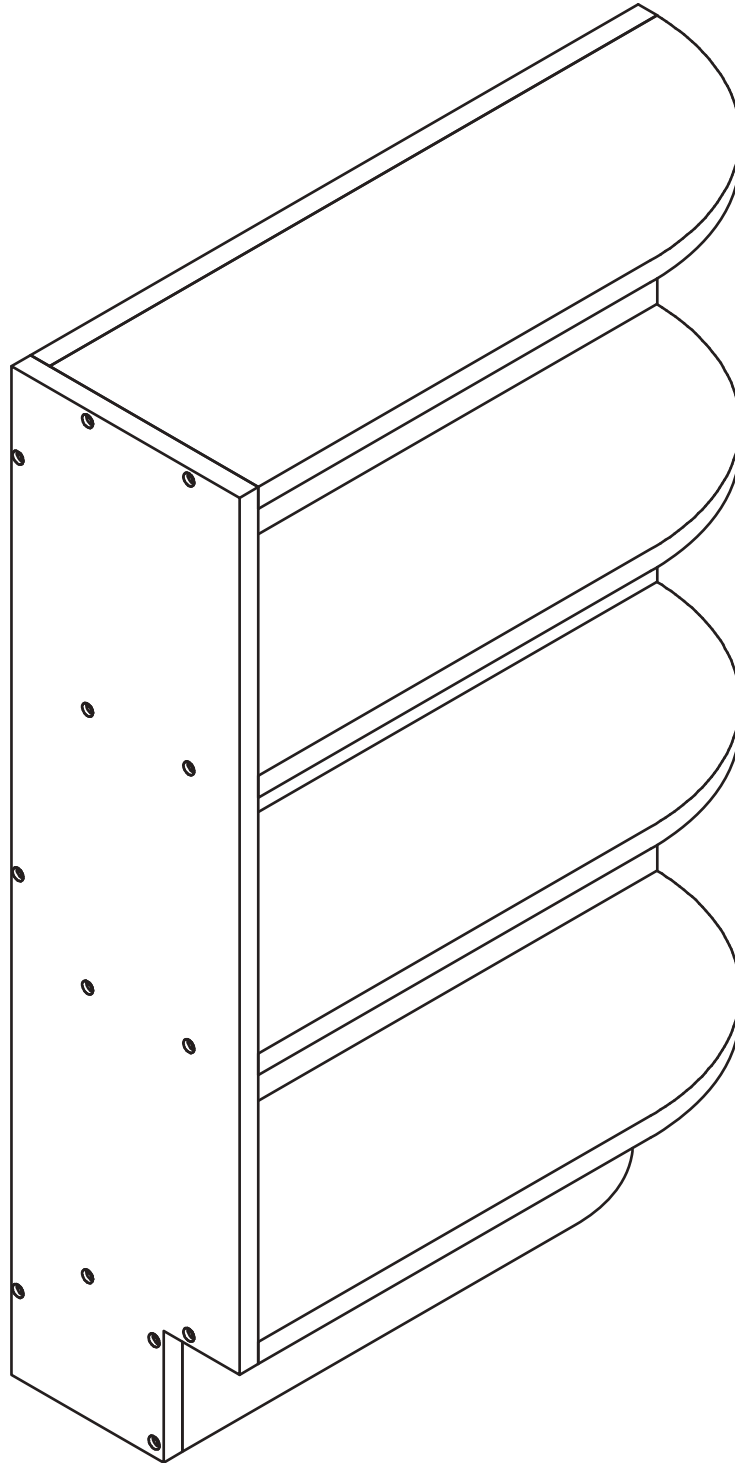


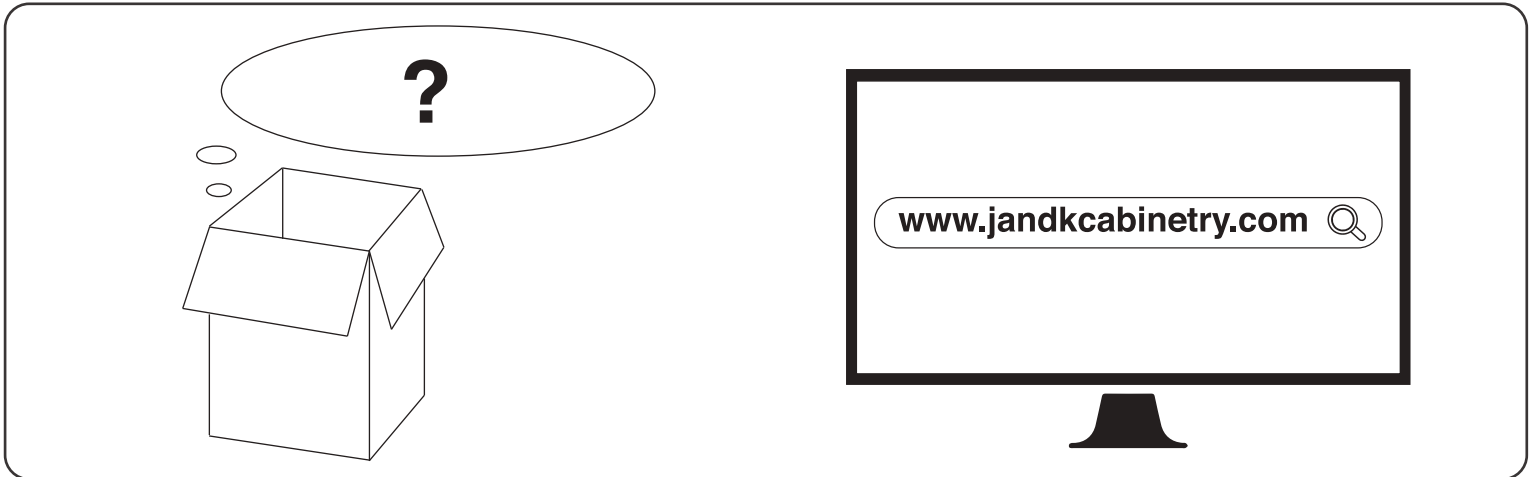
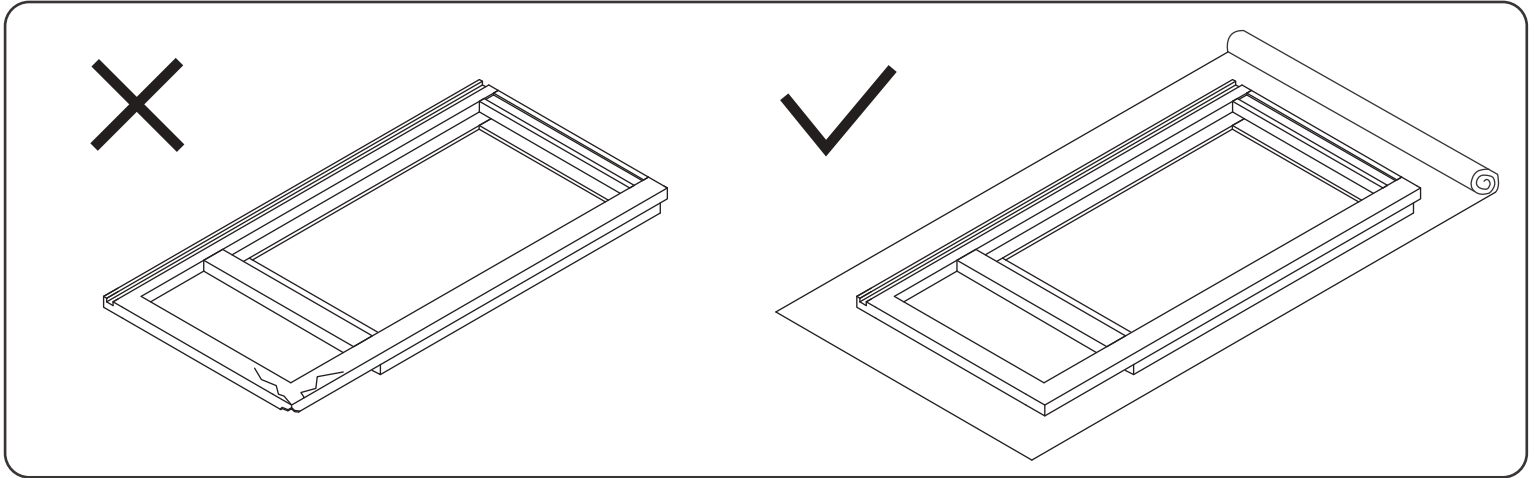
Assembly Instruction

2020 Edition



Base End Shelf Cabinet

Item Code:
BES09L/R, BES12L/R



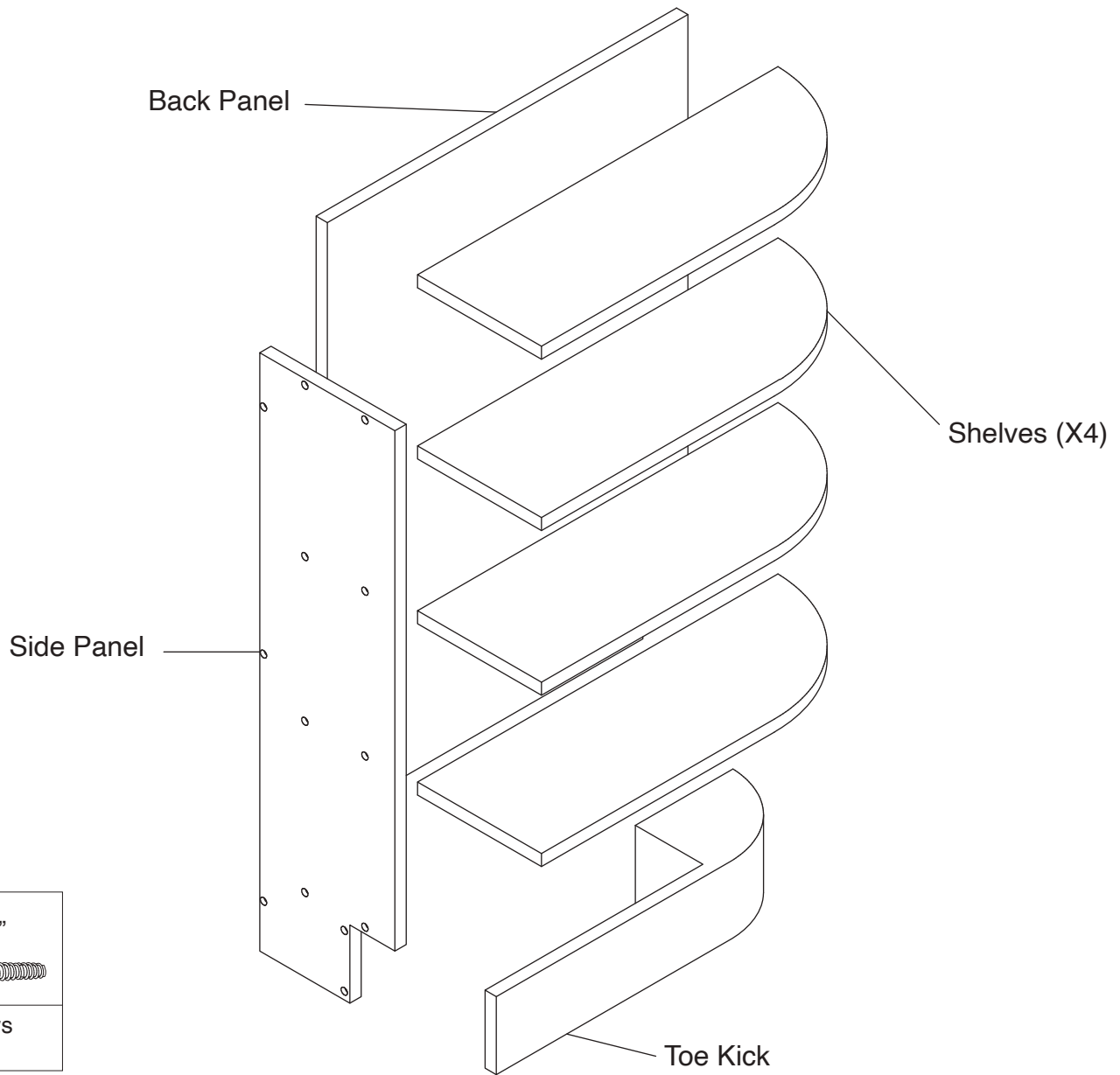
! WARNING:

1. Please be careful when opening the box with boxcutter and/or blade.
2. J&K Cabinetry is not responsible for any injuries and/or damages incurred during cabinet assembly.

? SERVICE:

During the installation process, if you encounter any problems, please go to our official website: www.jandkcabinetry.com, check the full version assembly instruction or watch the assembly video online.

Included Items:



Recommended Tools:



Screw Driver

Safety Tools:

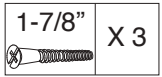
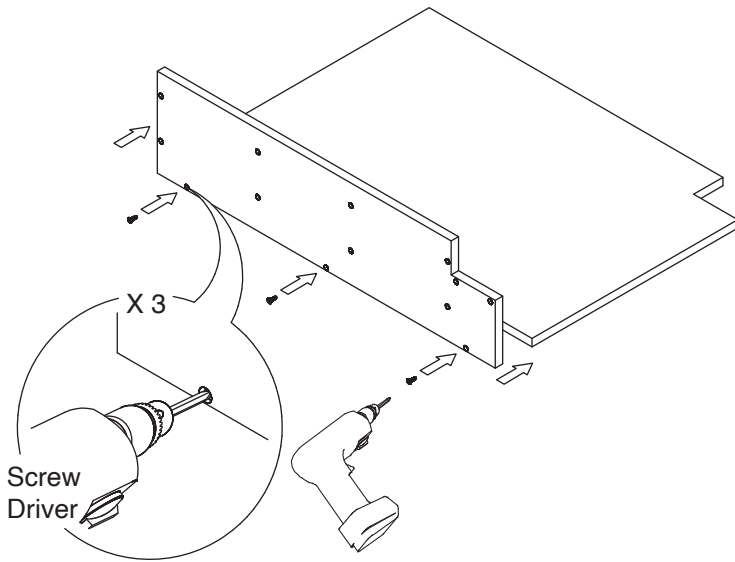


Eye Wear

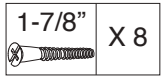
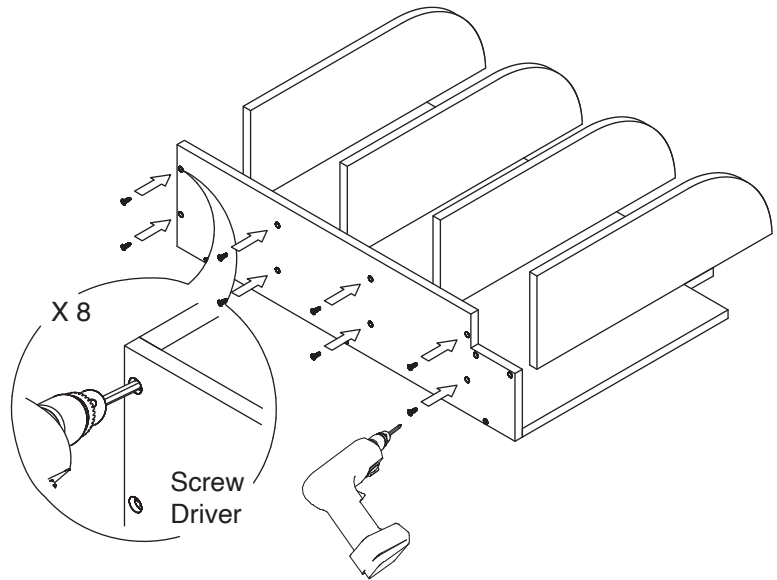


Gloves

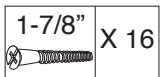
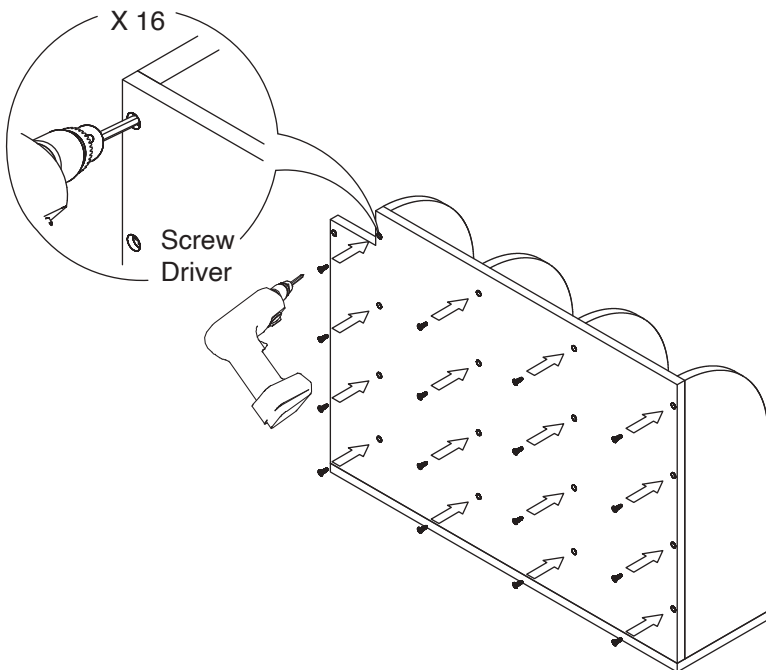
Step 1:



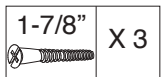
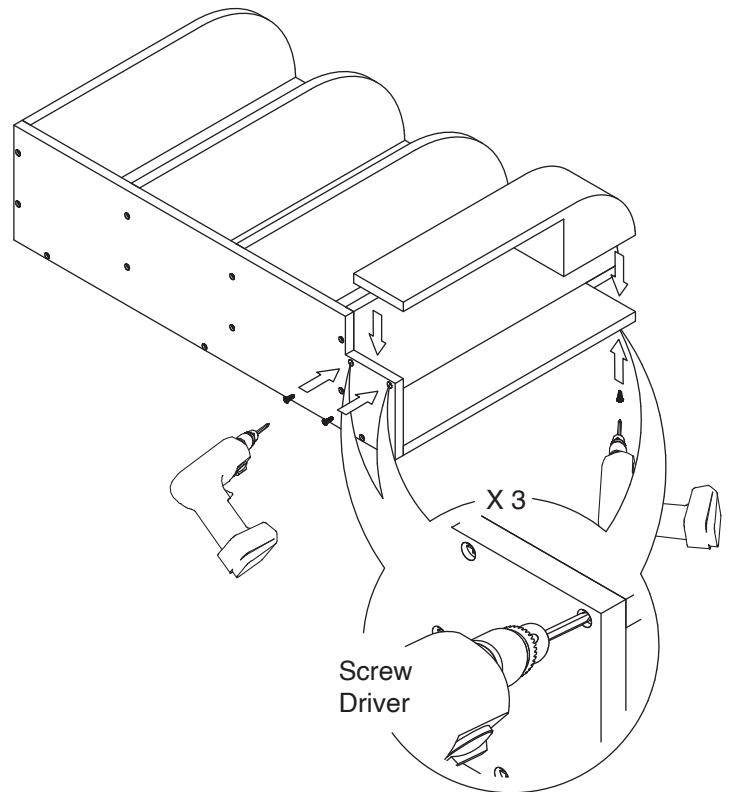
Step 2:



Step 3:



Step 4:



Step 5:

