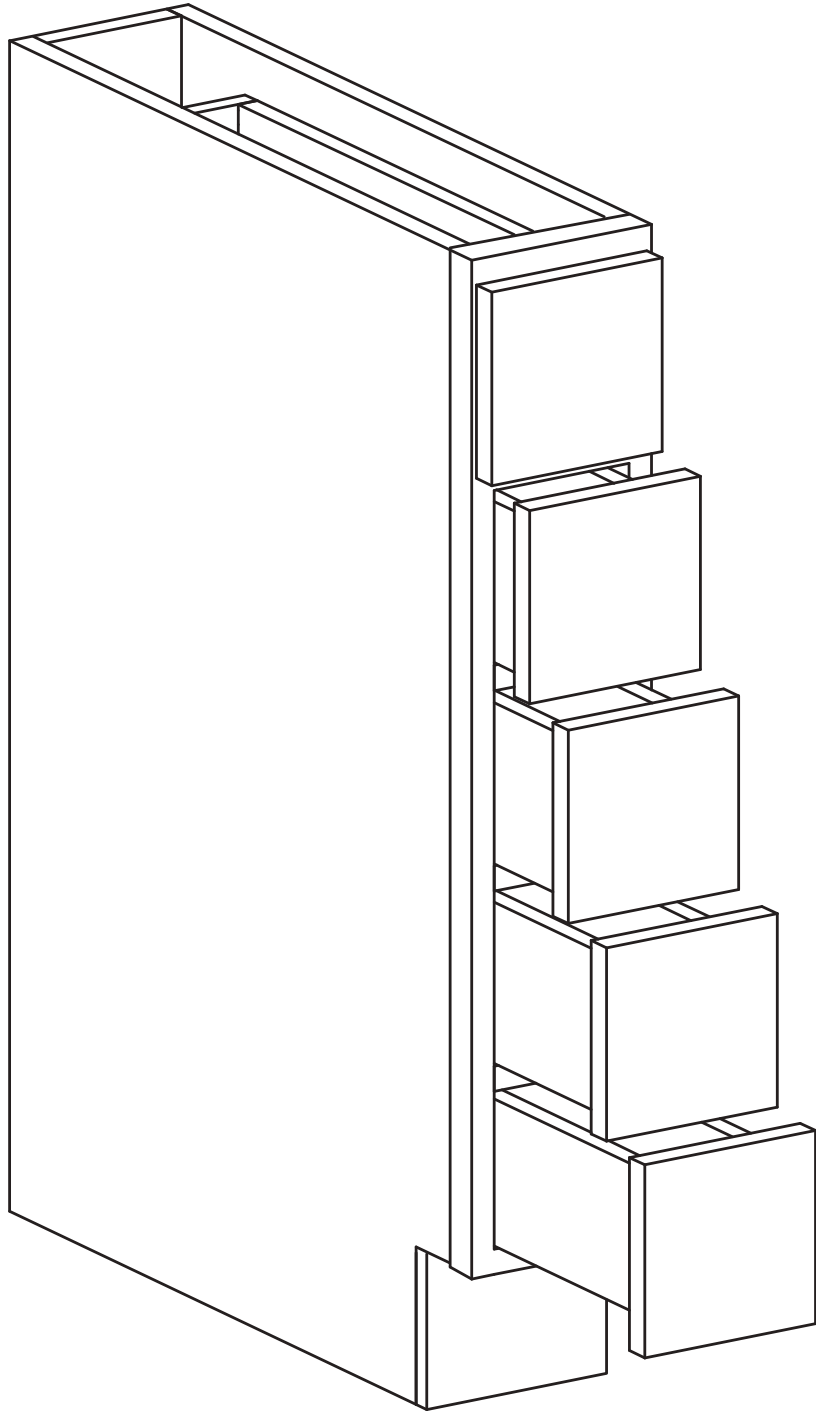


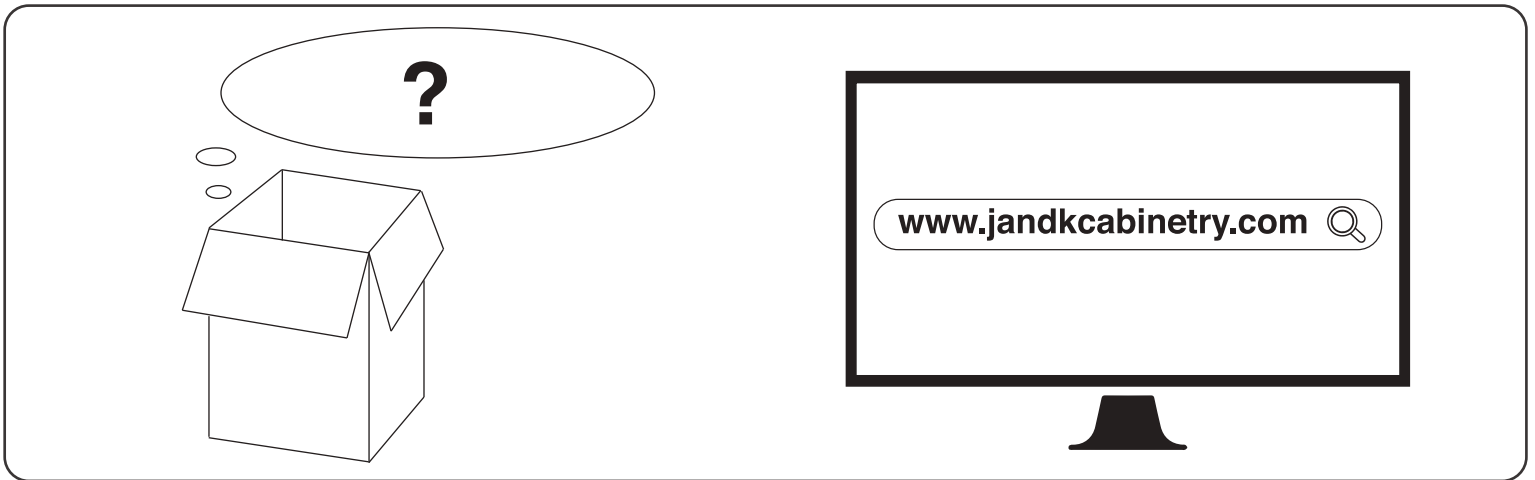
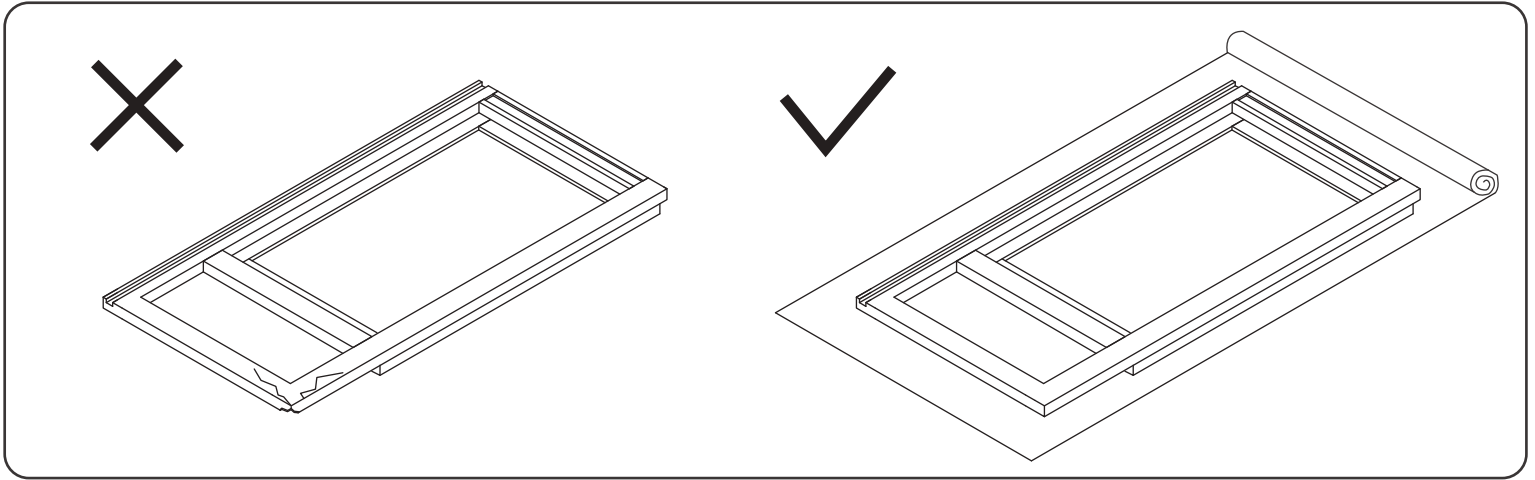
# Assembly Instruction

2020 Edition



**Spice Drawer Base Cabinet**

Item Code:  
BWRC6



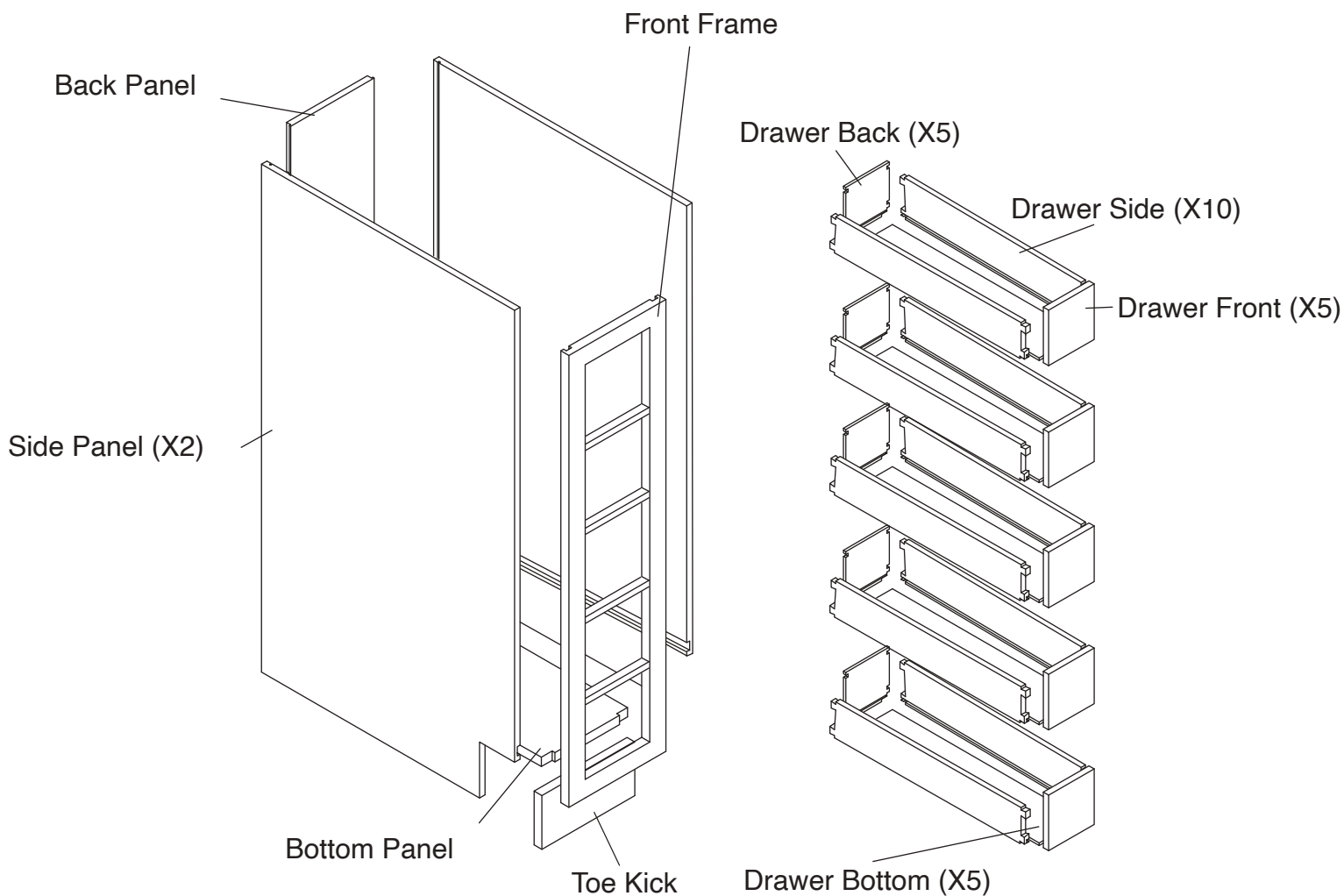
 **WARNING:**



1. Please be careful when opening the box with boxcutter and/or blade.
2. J&K Cabinetry is not responsible for any injuries and/or damages incurred during cabinet assembly.

 **SERVICE:**

During the installation process, if you encounter any problems, please go to our official website: [www.jandkcabinetry.com](http://www.jandkcabinetry.com), check the full version assembly instruction or watch the assembly video online.

# Included Items:



1-3/16" 	
Screws X 2	Door Bumpers X 20

## Recommended Tools:



Wood Glue



Screw Driver



Rubber Mallet



Compressor



Nail Gun



Stapler



Senco Fastener

## Safety Tools:

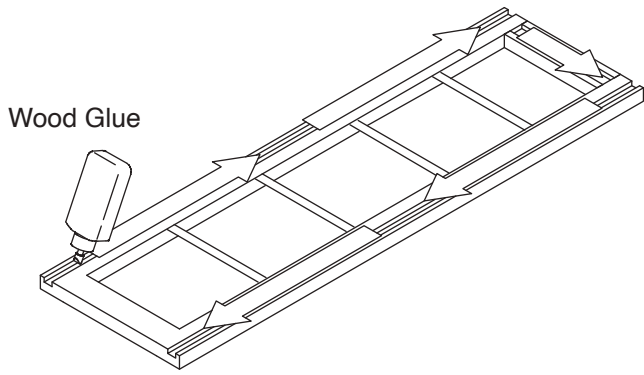


Eye Wear

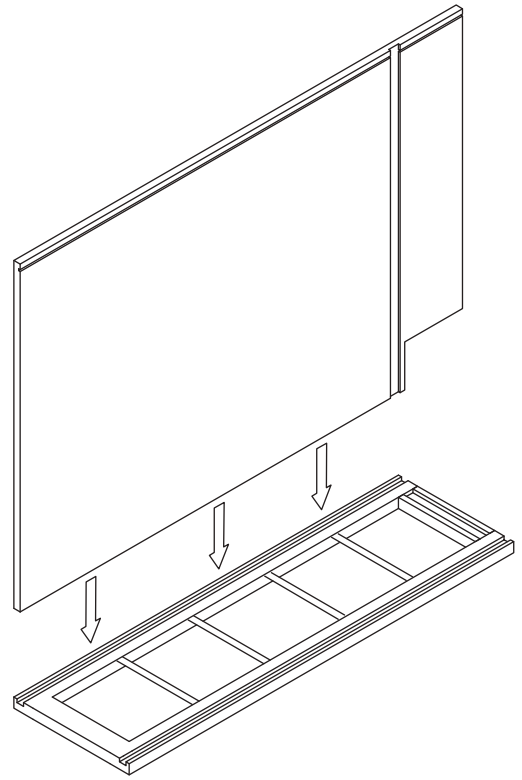


Gloves

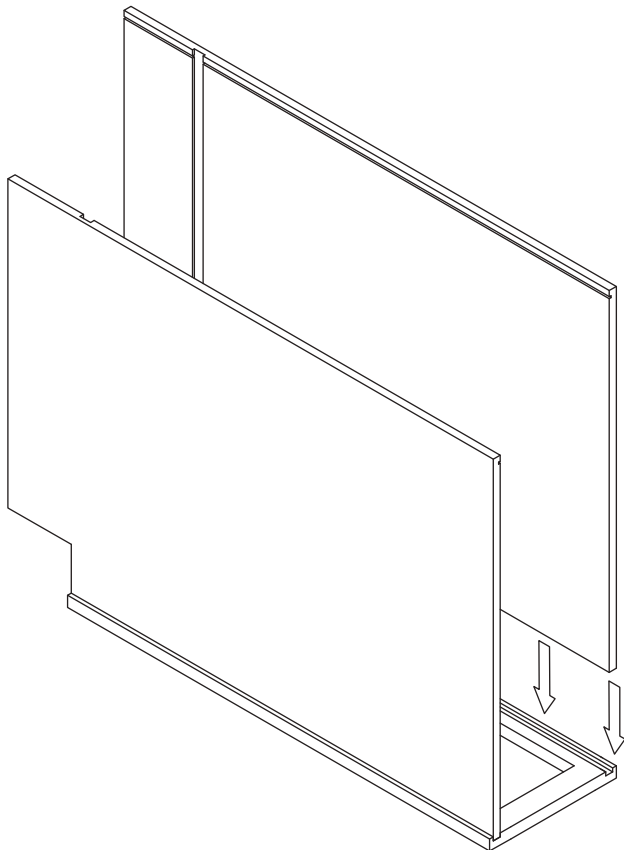
### Step 1:



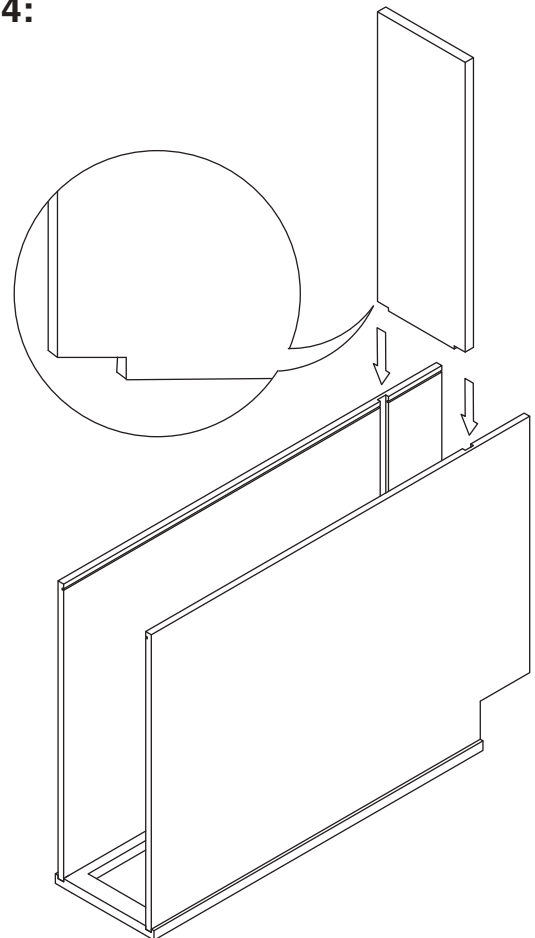
### Step 2:



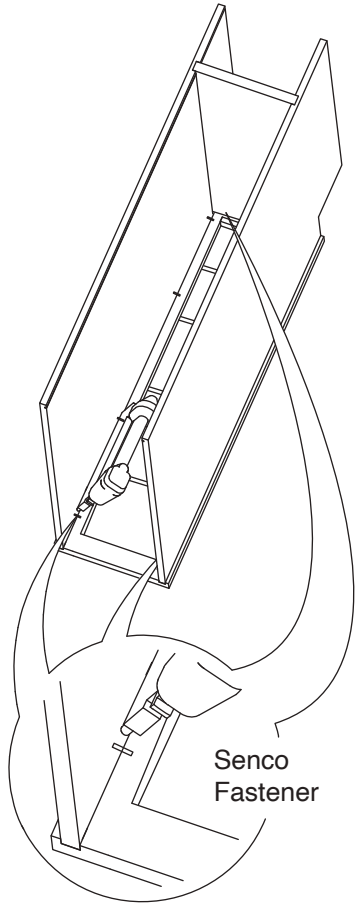
### Step 3:



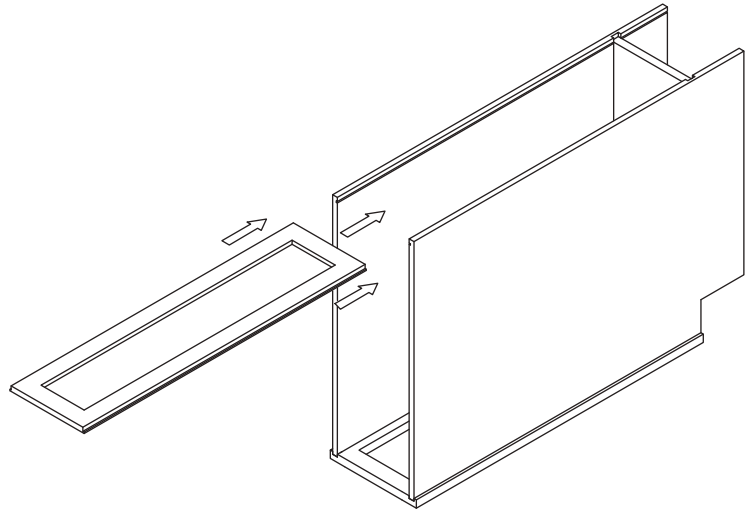
### Step 4:



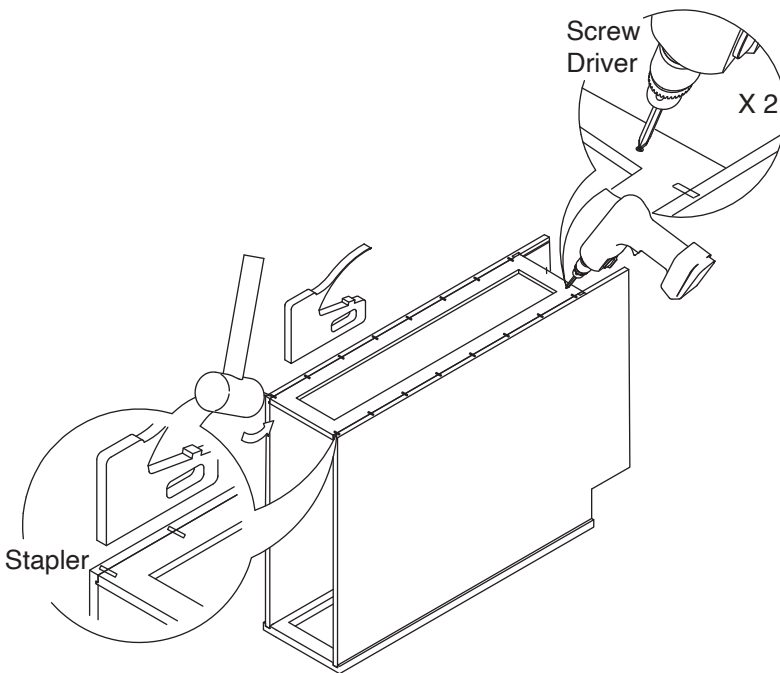
**Step 5:**



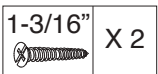
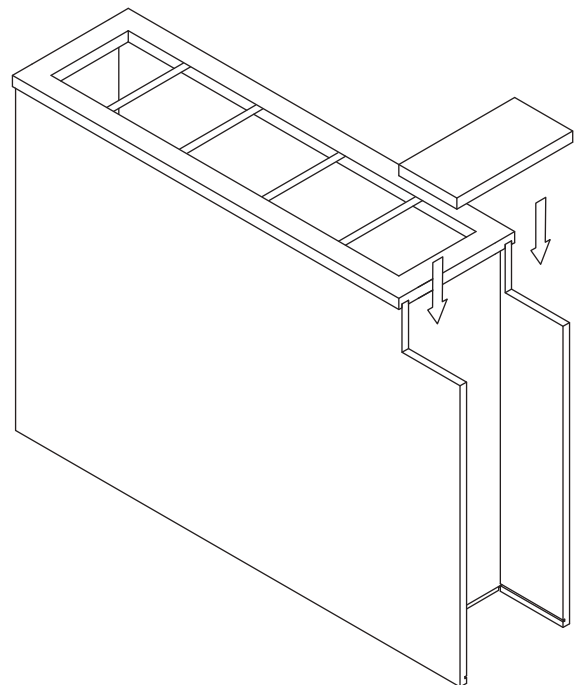
**Step 6:**



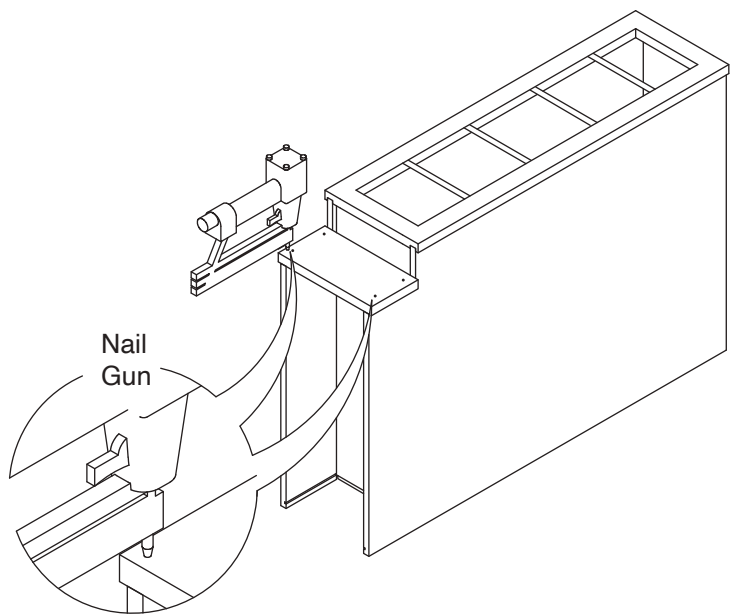
**Step 7:**



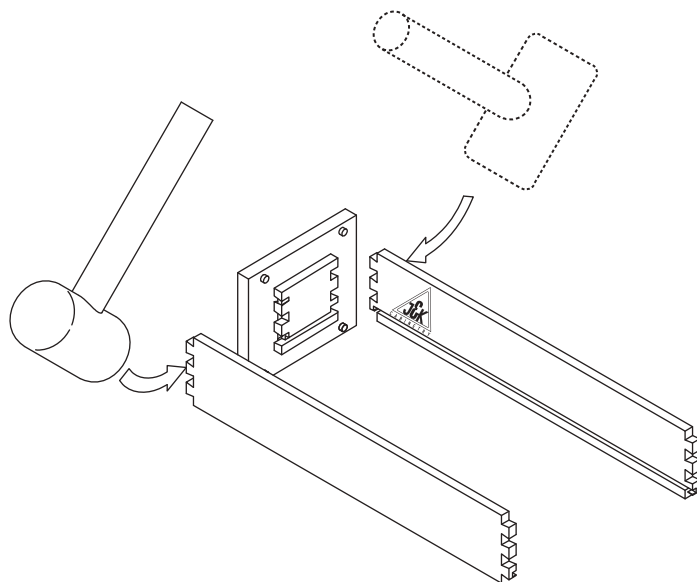
**Step 8:**



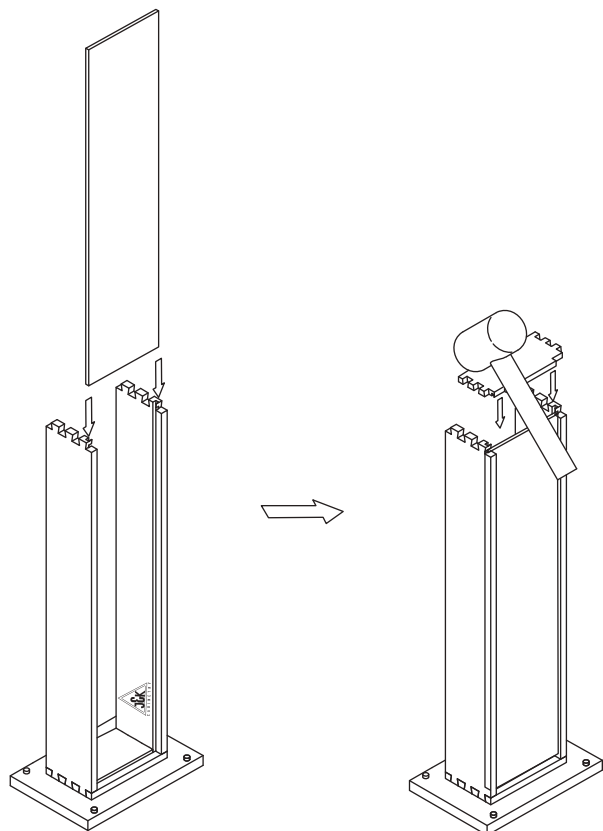
### Step 9:



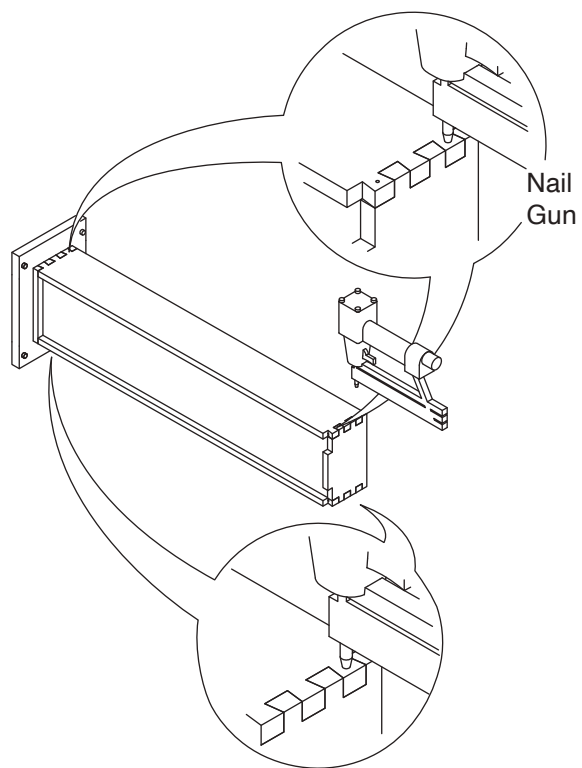
### Step 10:



### Step 11:

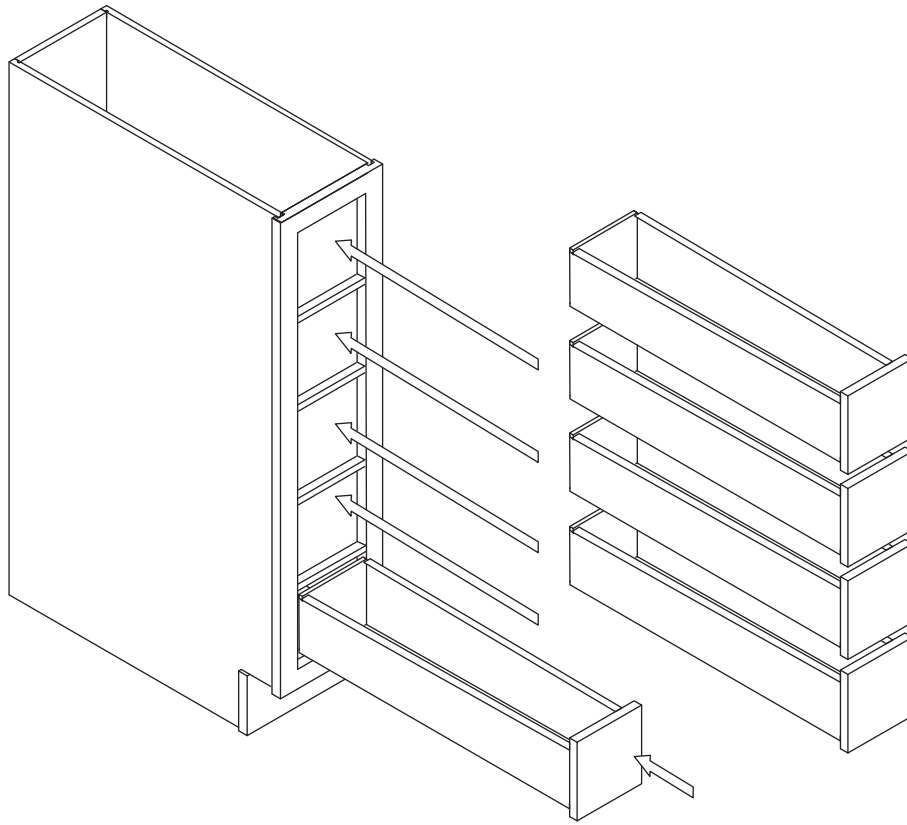


### Step 12:



\* repeat for other drawer

### Step 13:



\* repeat for other drawer

### Step 14:

