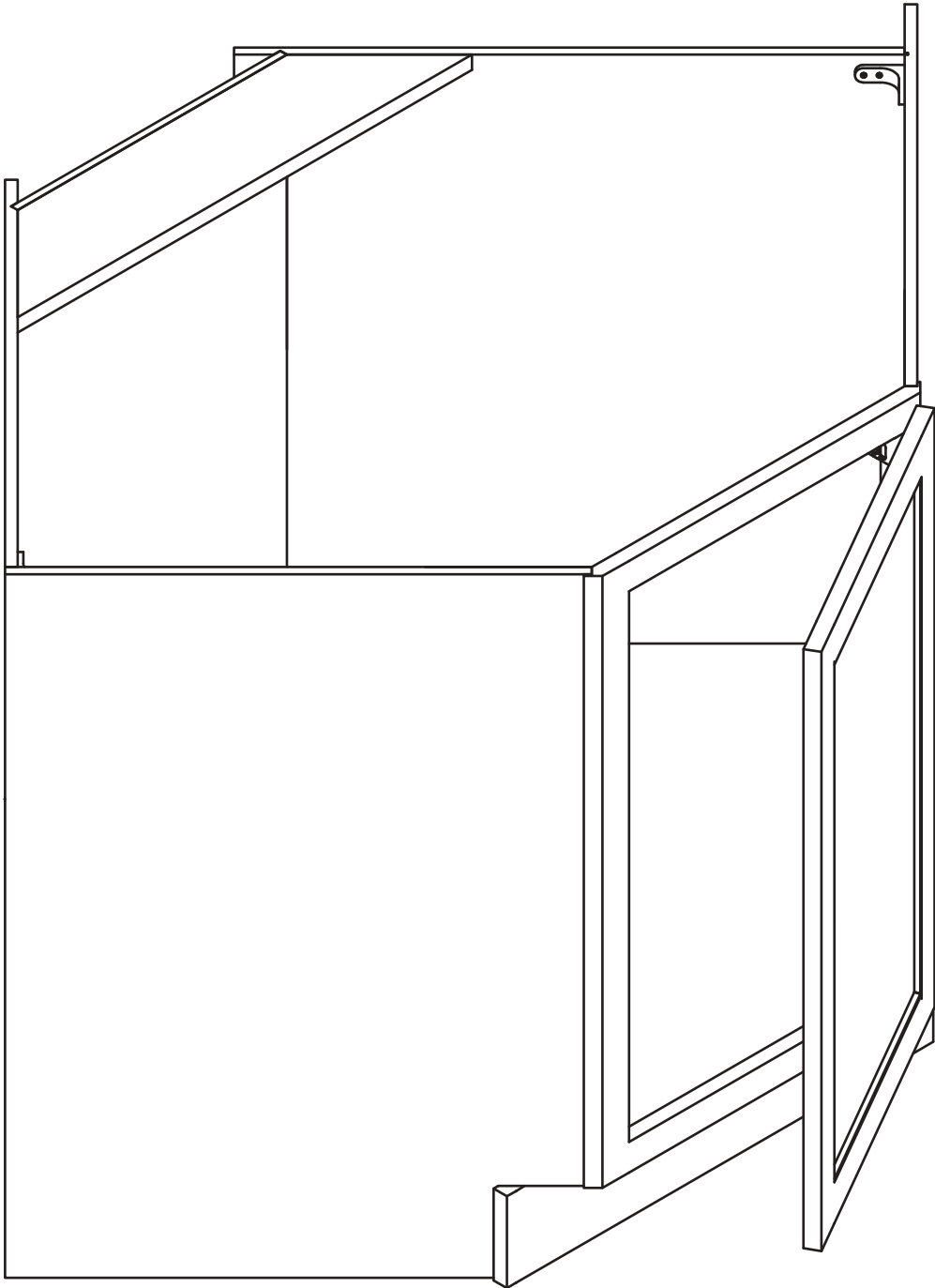


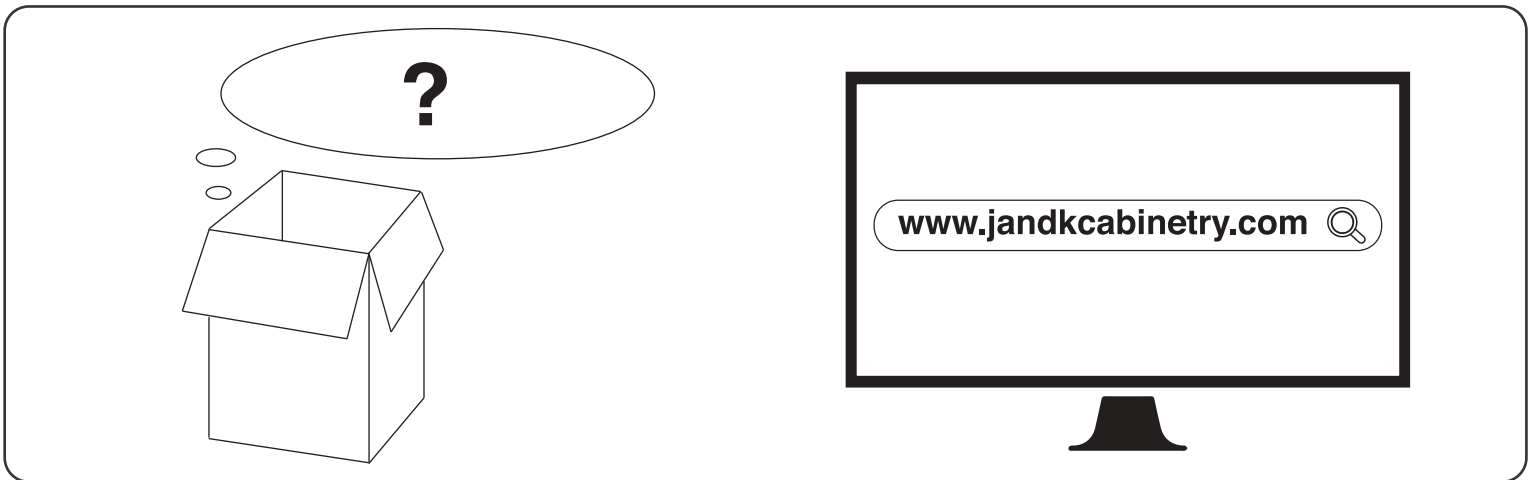
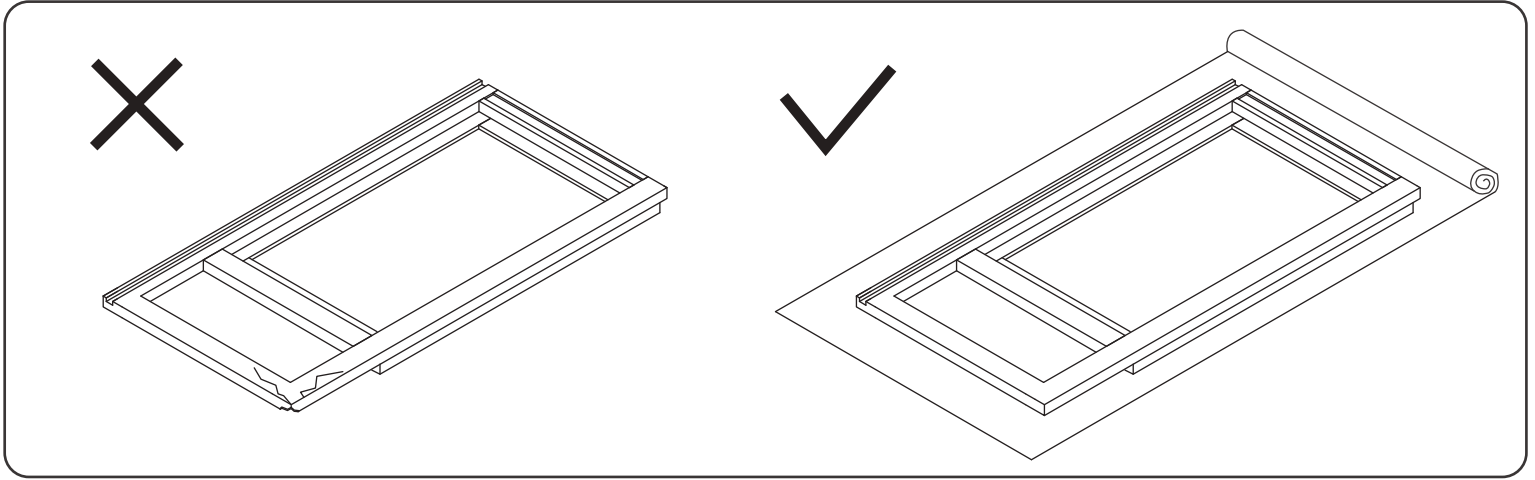
Assembly Instruction

2020 Edition



Base Diagonal Sink

Item Code:
CSB36



WARNING:

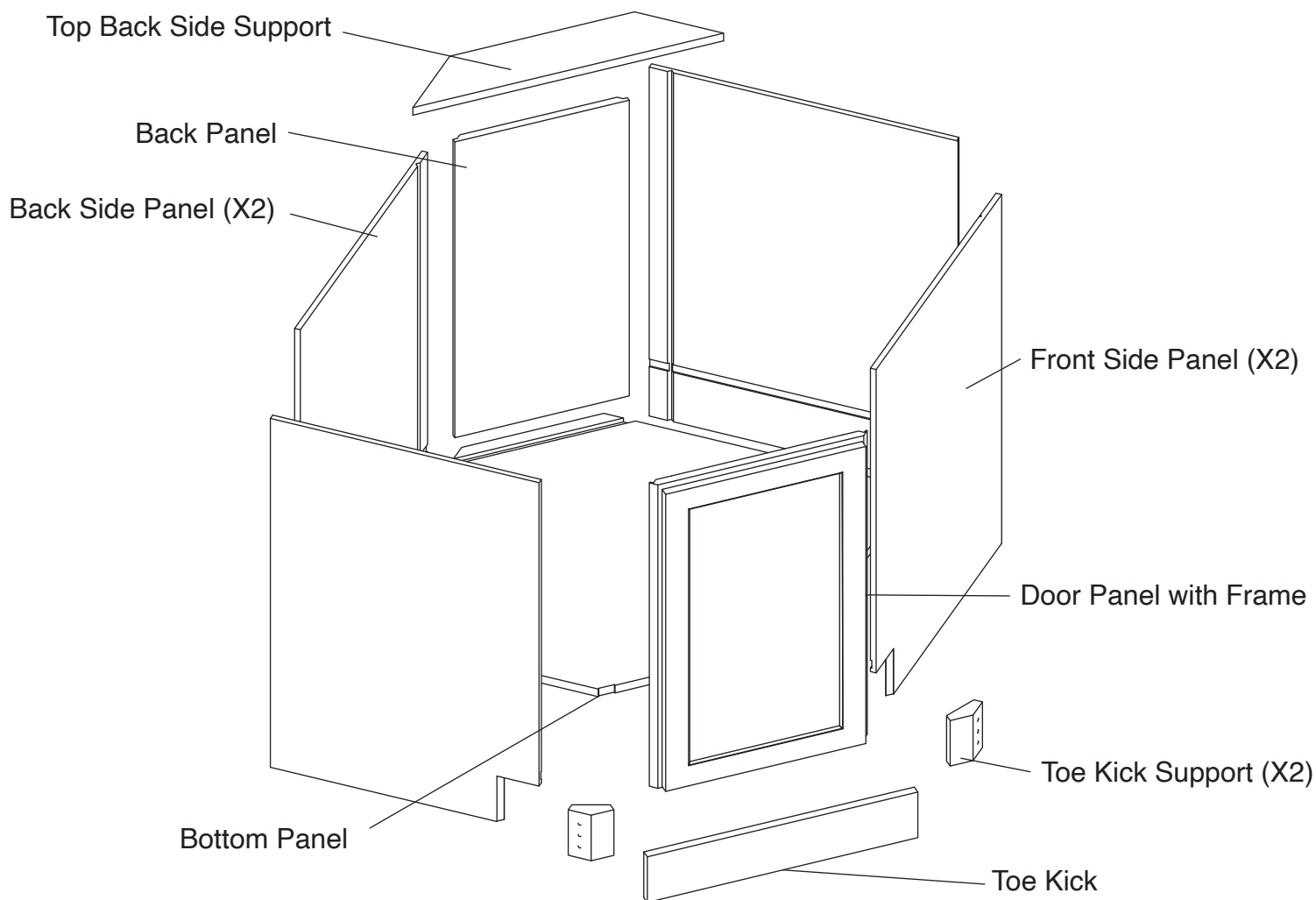
1. Please be careful when opening the box with boxcutter and/or blade.
2. J&K Cabinetry is not responsible for any injuries and/or damages incurred during cabinet assembly.


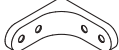






SERVICE:

During the installation process, if you encounter any problems, please go to our official website: www.jandkcabinetry.com, check the full version assembly instruction or watch the assembly video online.

Included Items:



| | | | | | |
|---|---|---|---|---|--|
|  |  |  | 19/32"  | 1"  | 1-3/16"  |
| 137° Brackets X 4 | 90° Brackets X 4 | Door Bumpers X 2 | Screws X 32 | Screws X 8 | Screws X 11 |

Recommended Tools:



Wood Glue



Screw Driver



Rubber Mallet



Compressor



Nail Gun



Stapler



Senco Fastener

Safety Tools:

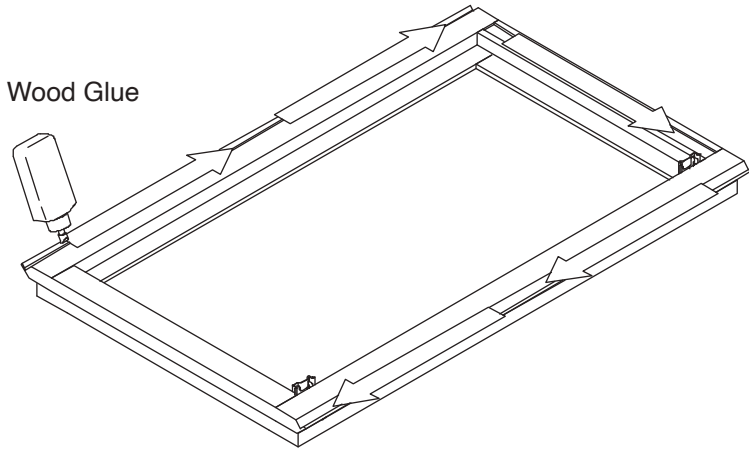


Eye Wear

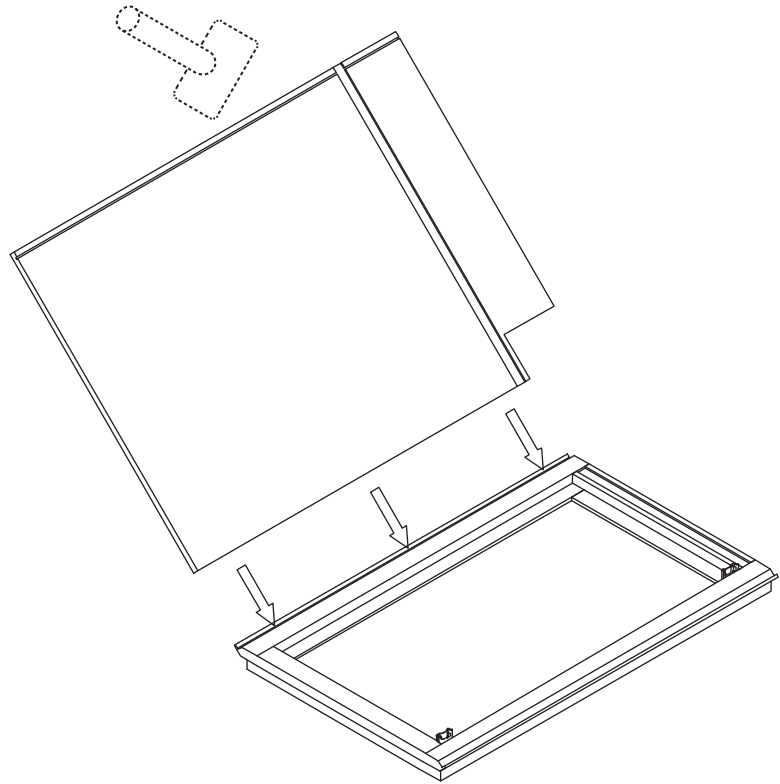


Gloves

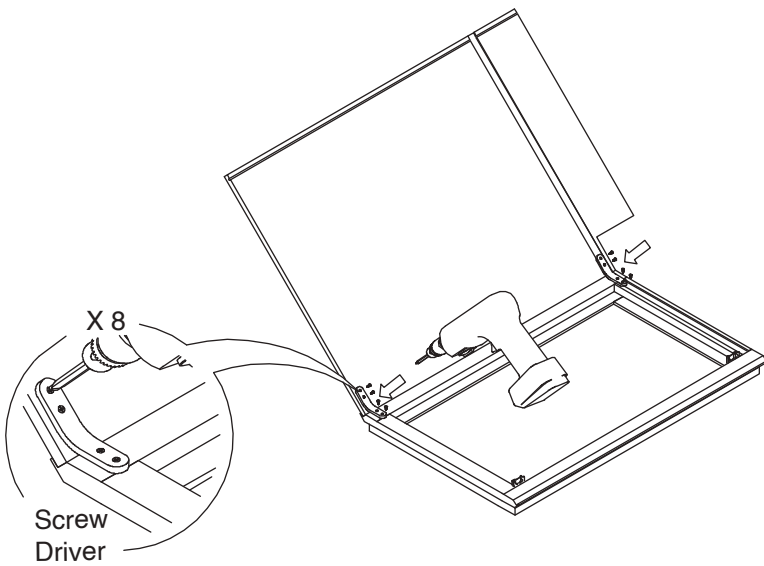
Step 1:



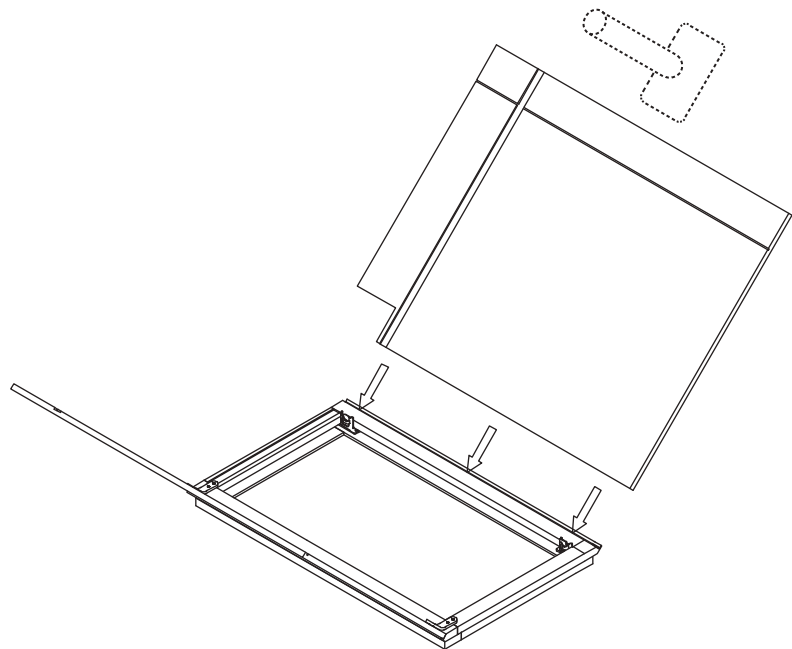
Step 2:




Step 3:



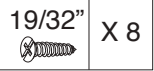
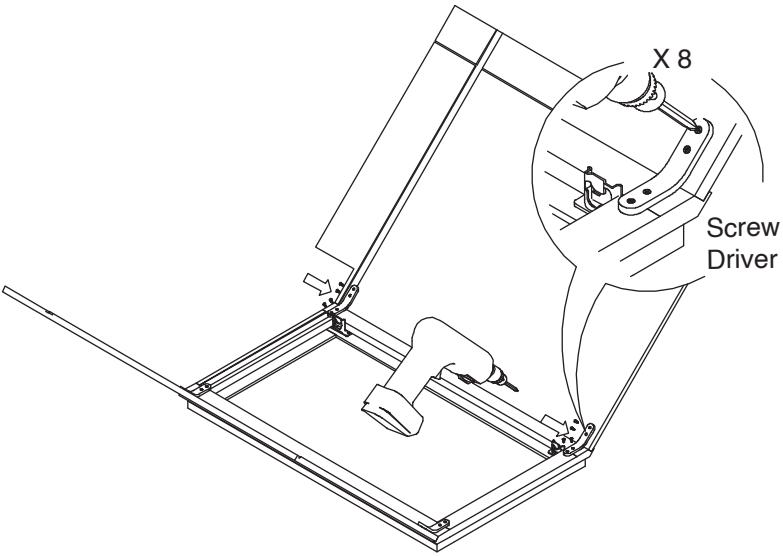
Step 4:



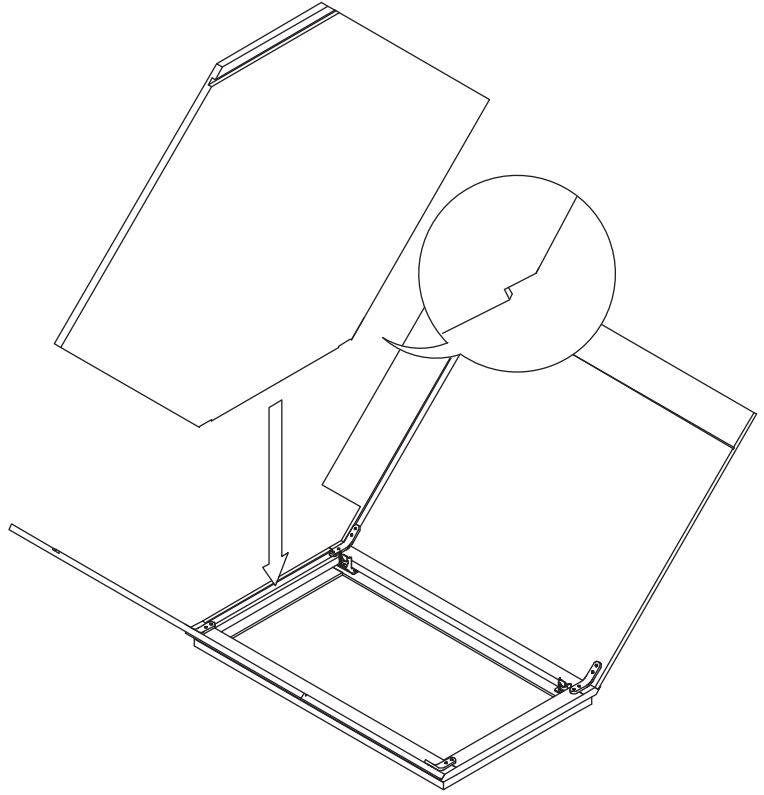
19/32" X 8



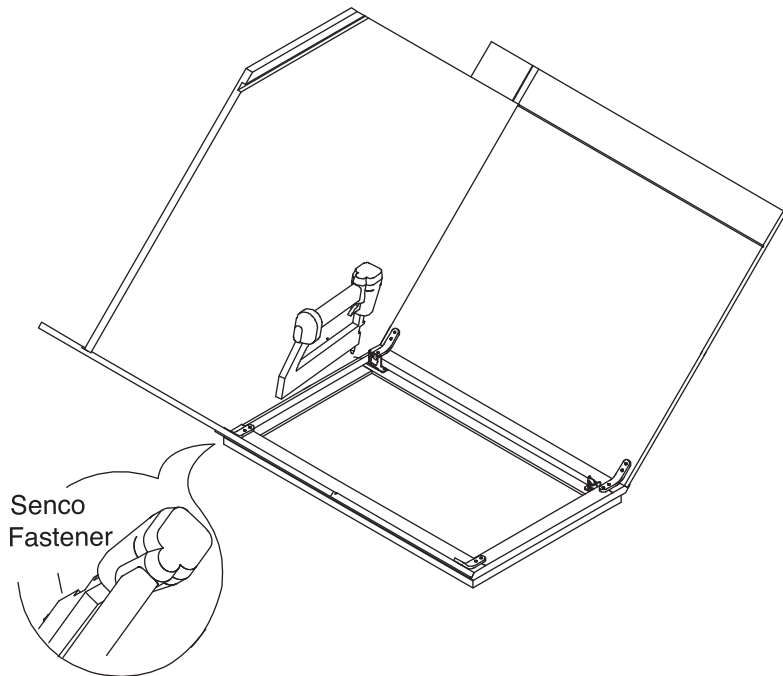
Step 5:



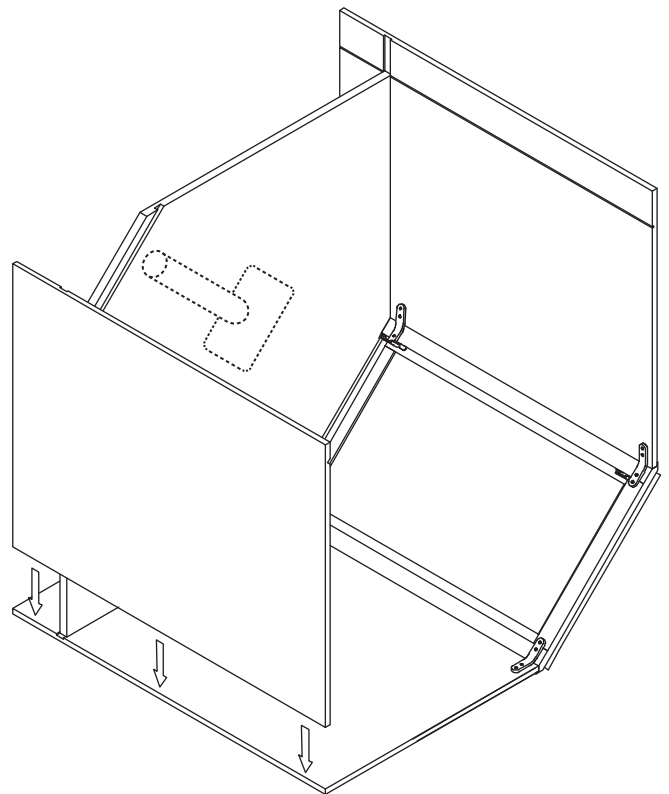
Step 6:



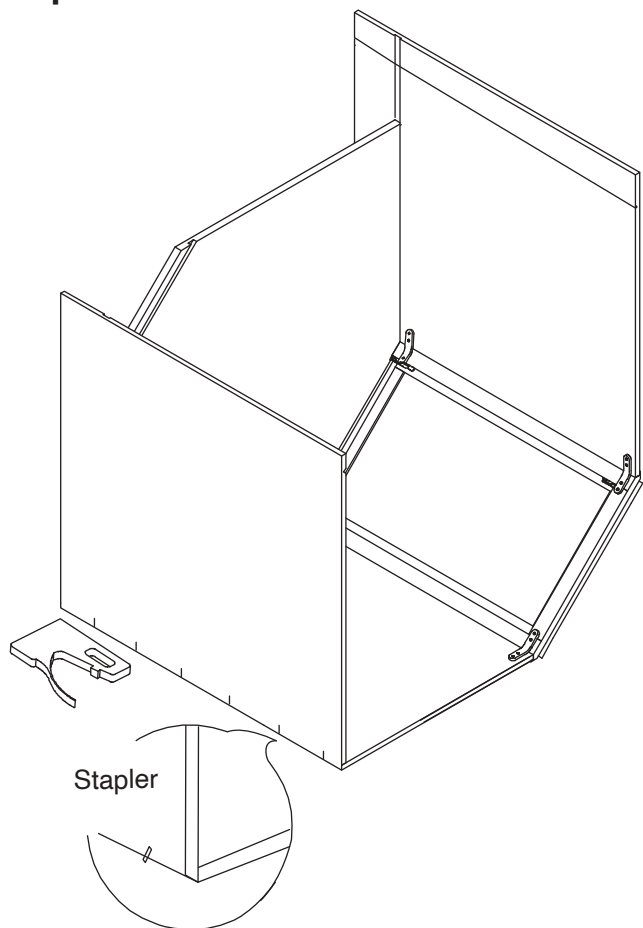
Step 7:



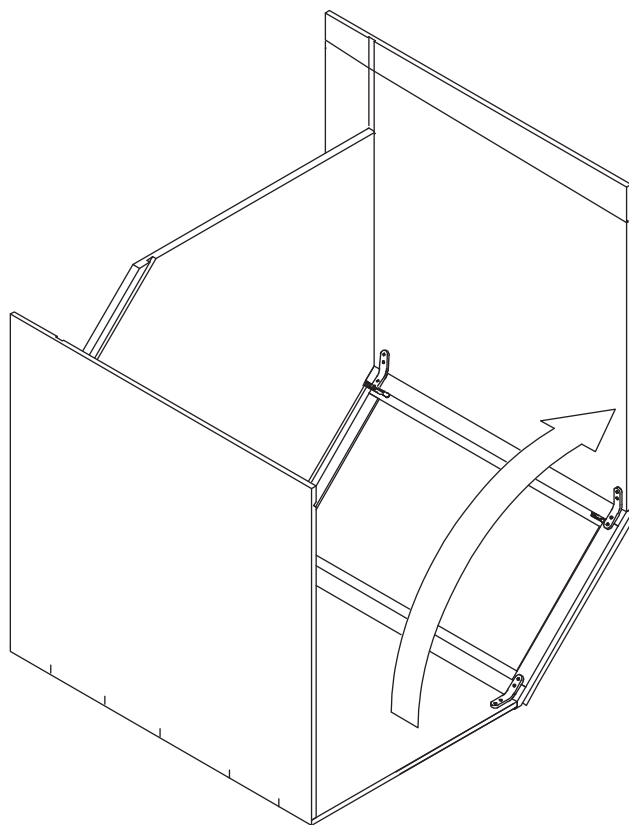
Step 8:



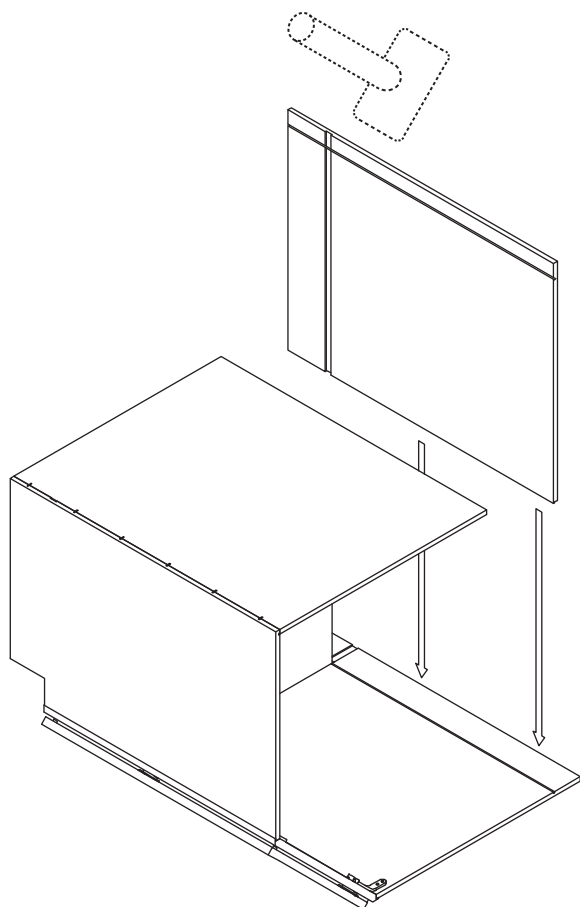
Step 9:



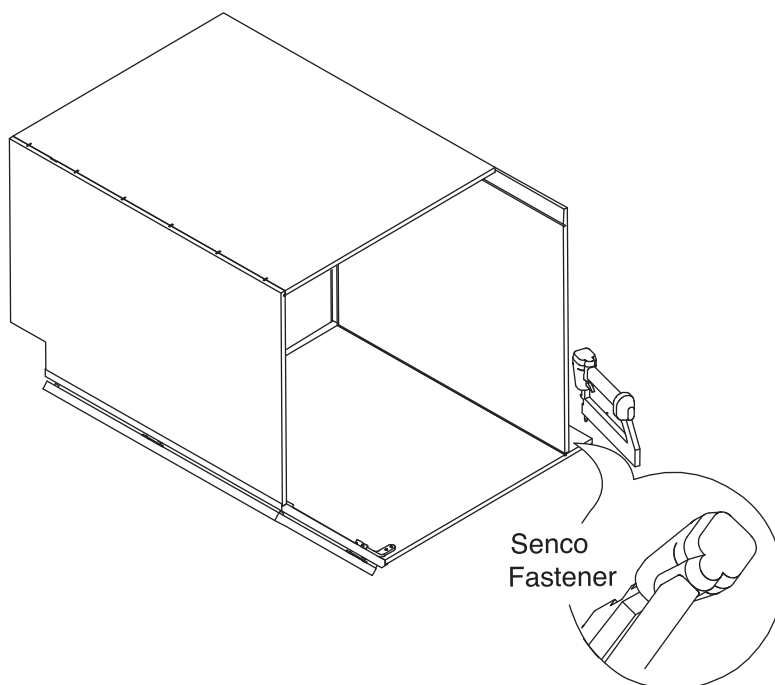
Step 10:



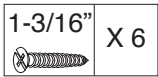
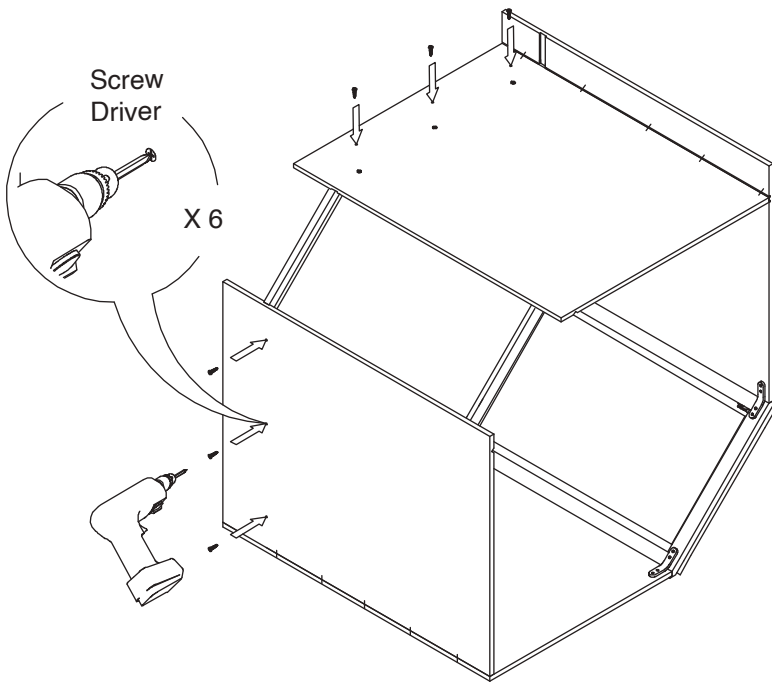
Step 11:



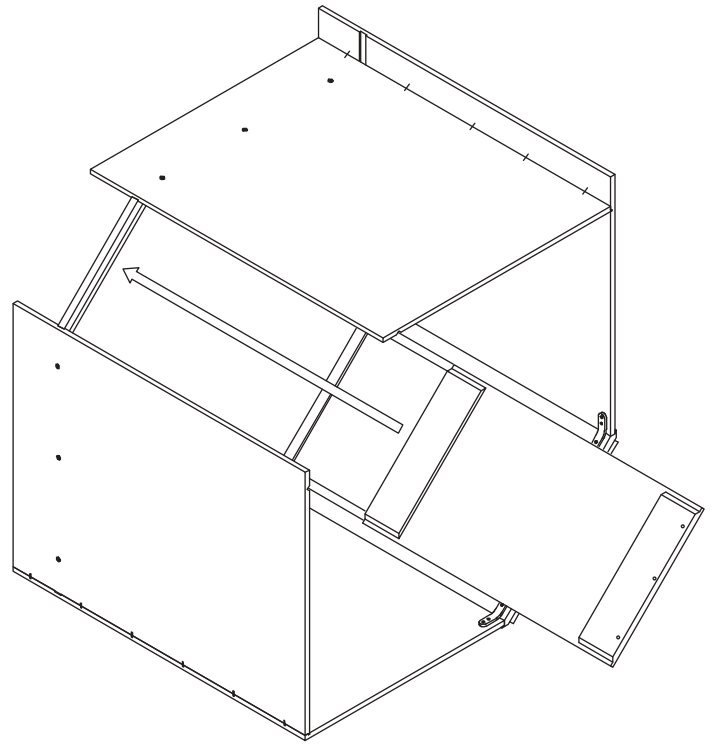
Step 12:



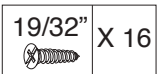
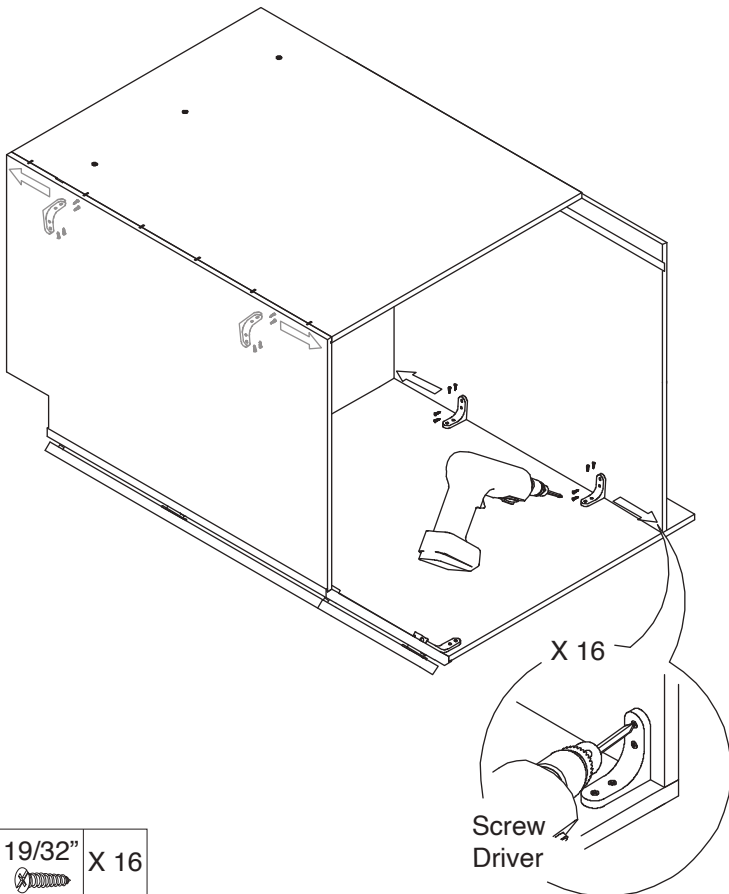
Step 13:



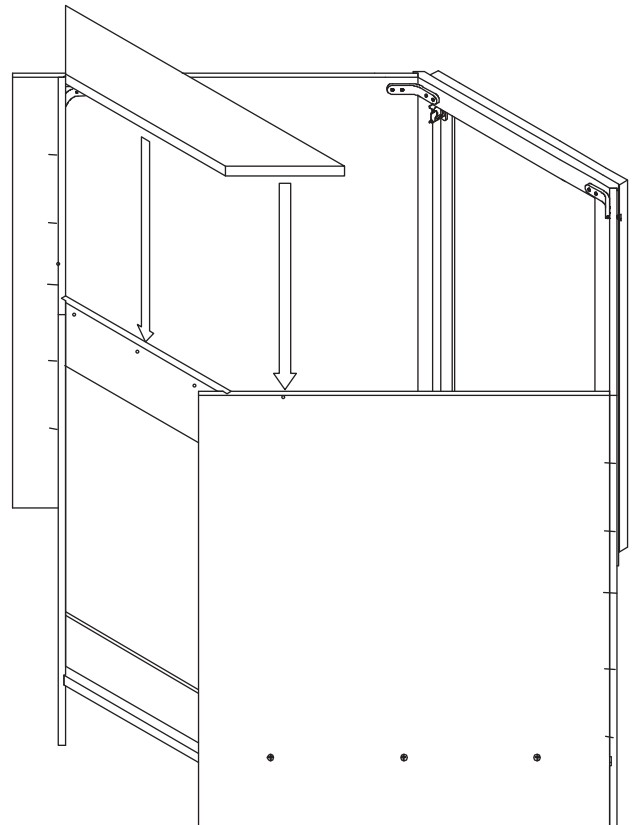
Step 14:



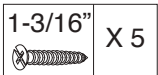
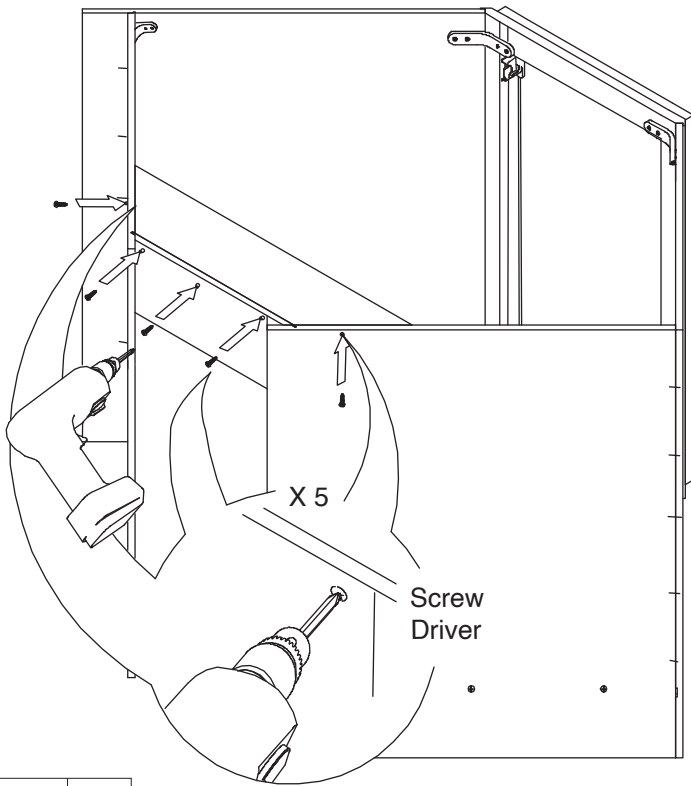
Step 15:



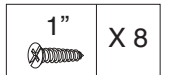
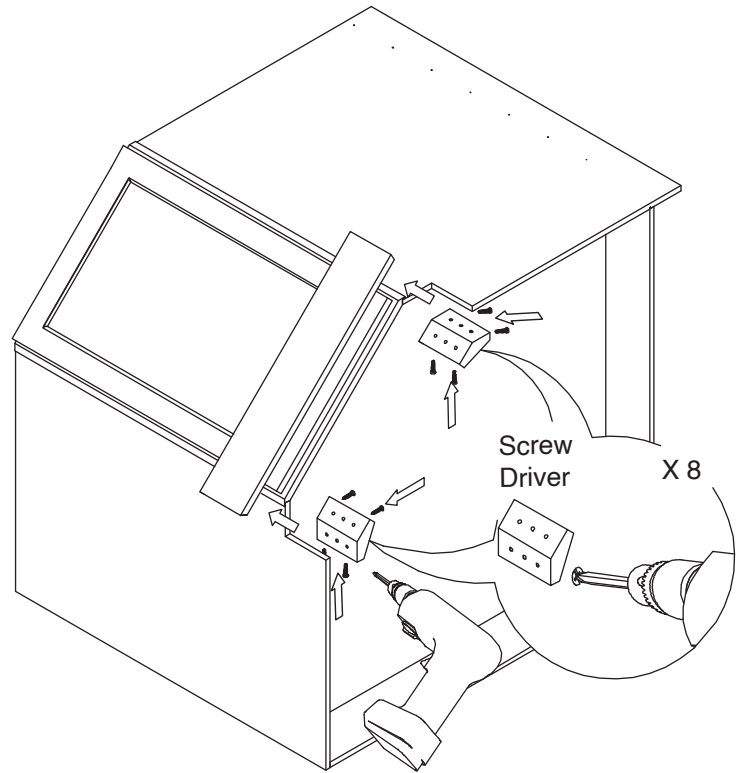
Step 16:



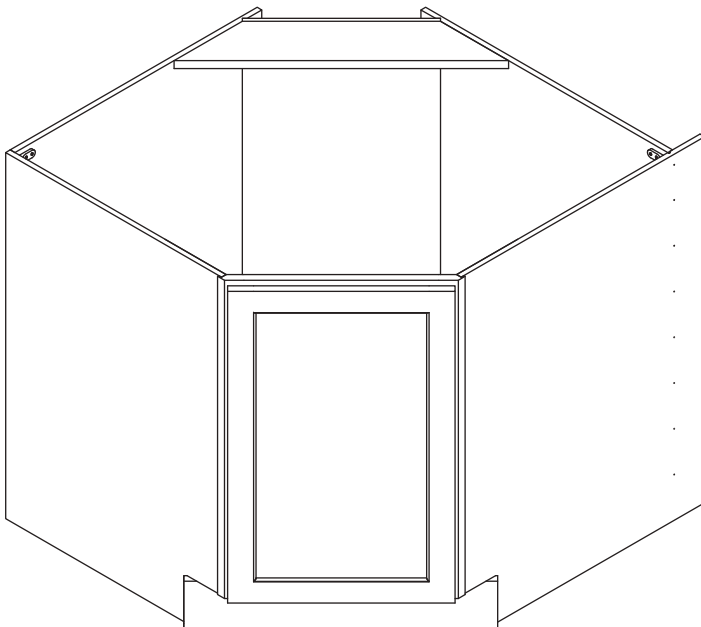
Step 17:



Step 18:



Step 19:



Step 20:

