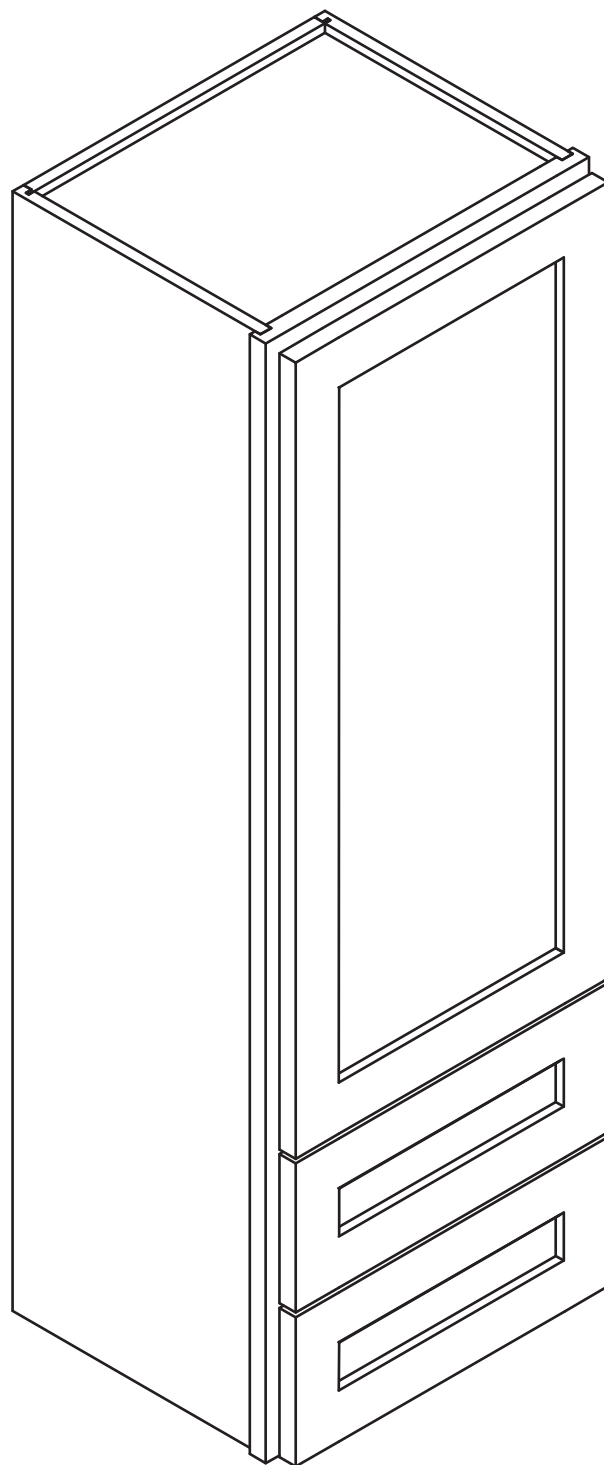


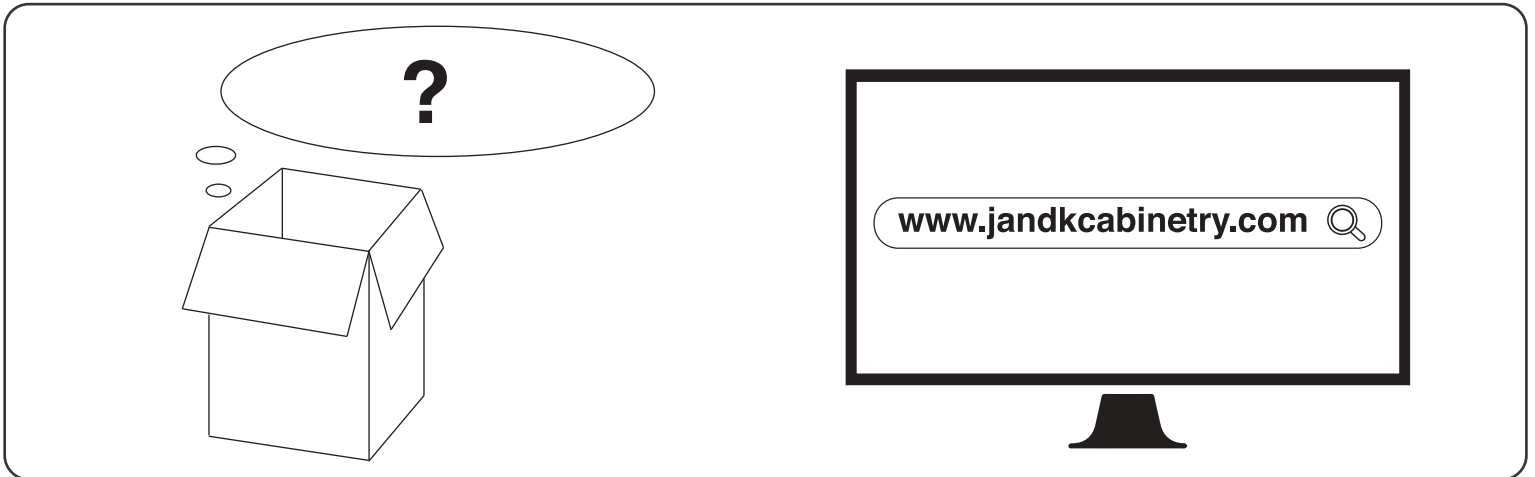
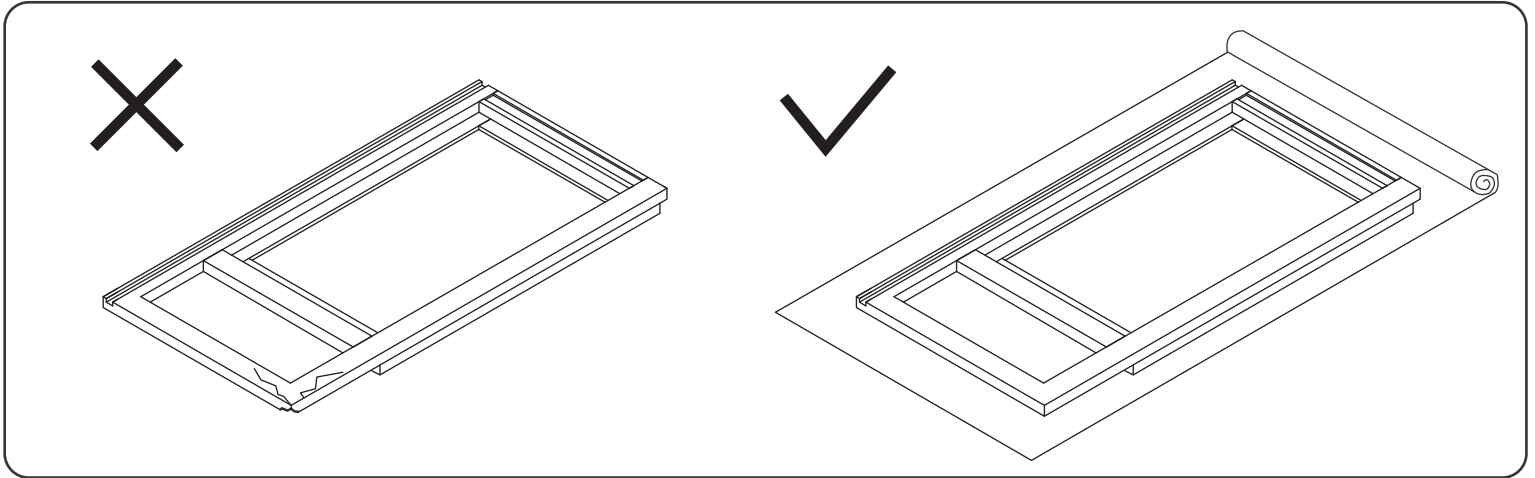
Assembly Instruction

2020 Edition



Vanity Counter Linen Cabinet

Item Code:
DV1245



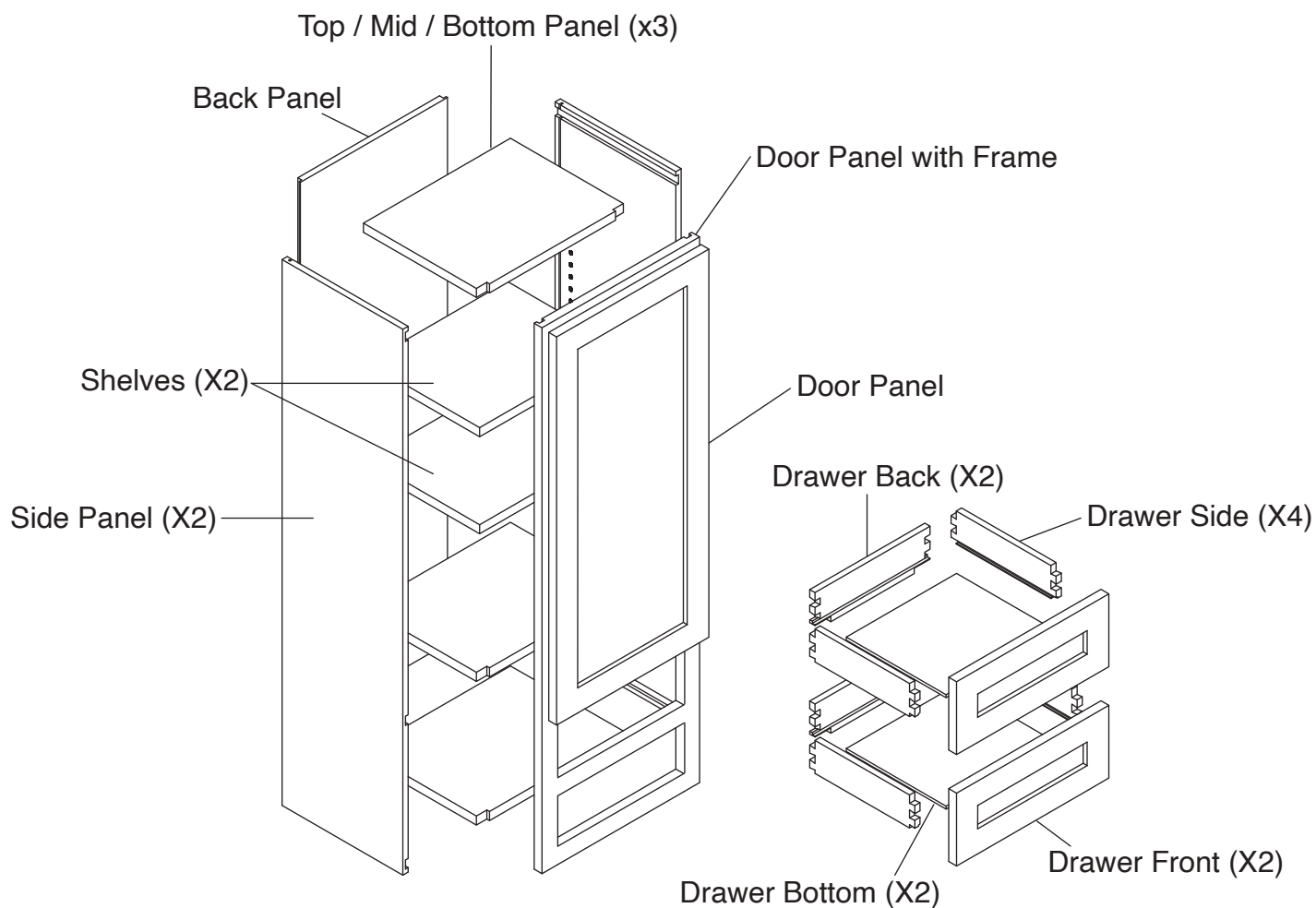
! WARNING:



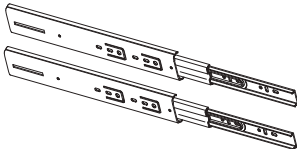
1. Please be careful when opening the box with boxcutter and/or blade.
2. J&K Cabinetry is not responsible for any injuries and/or damages incurred during cabinet assembly.

? SERVICE:

During the installation process, if you encounter any problems, please go to our official website: www.jandkcabinetry.com, check the full version assembly instruction or watch the assembly video online.

Included Items:



1/2"	5/8"	1-1/4"			
Screws X 12	Screws X 8	Screws X 4	Door Bumpers X 10	Shelf Pins X 8	Side Mount Drawer Glide Kits X 2

Recommended Tools:



Wood Glue



Screw Driver



Rubber Mallet



Compressor



Nail Gun



Stapler



Senco Fastener

Safety Tools:

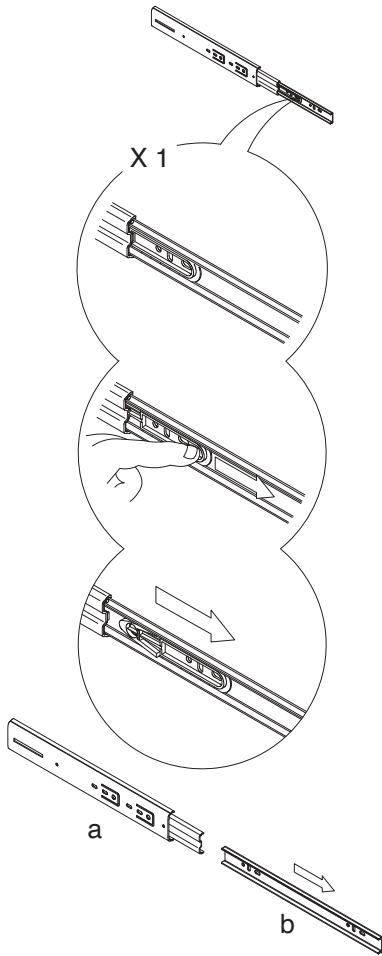


Eye Wear

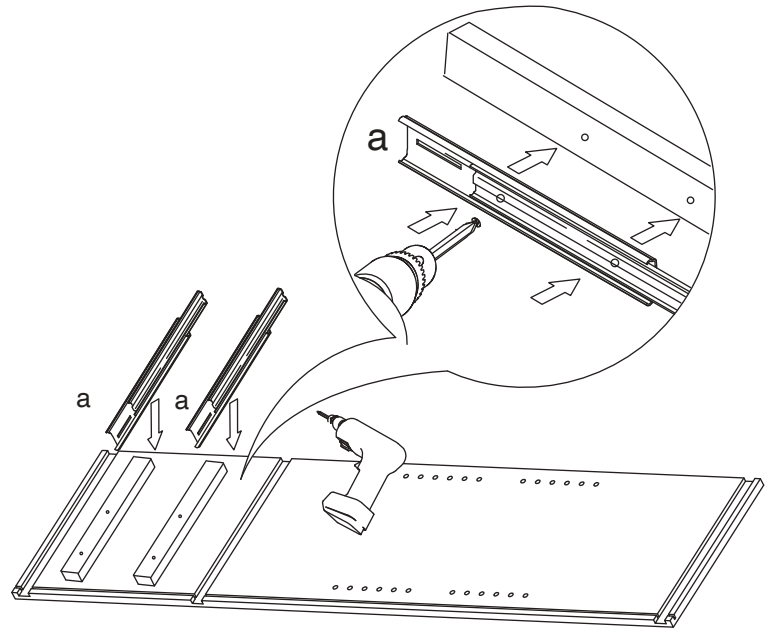


Gloves

Step 1:



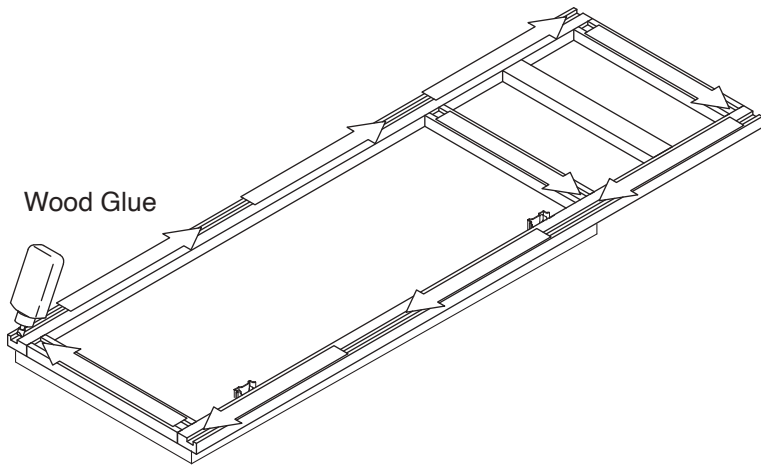
Step 2:



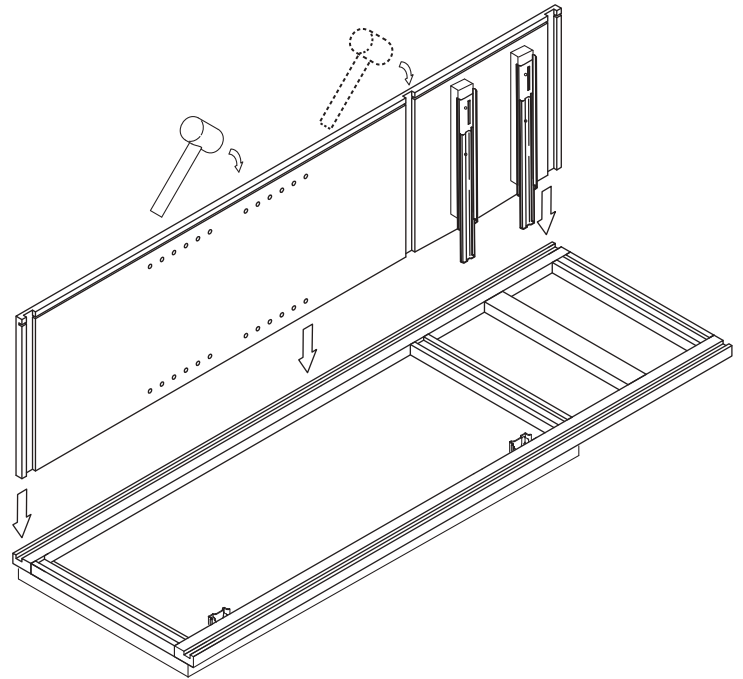
* repeat for other side panel

5/8"	X 8
------	-----

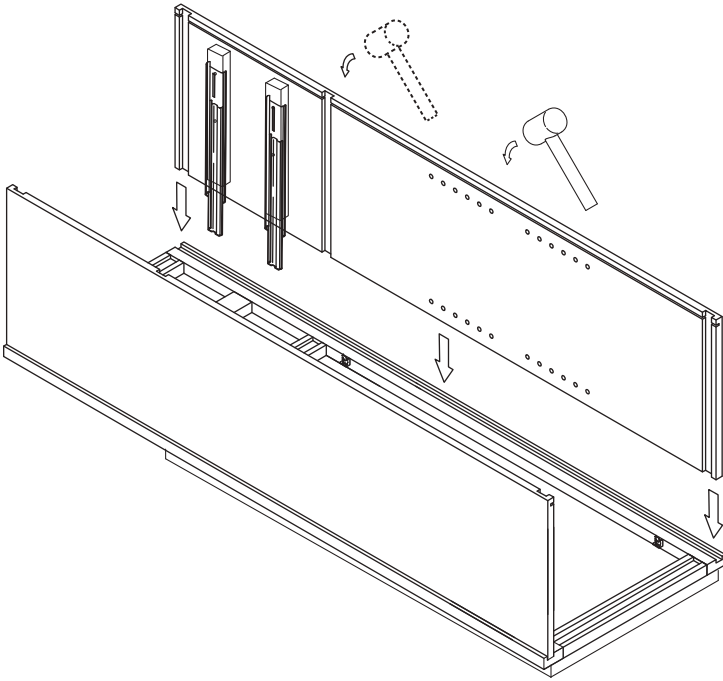
Step 3:



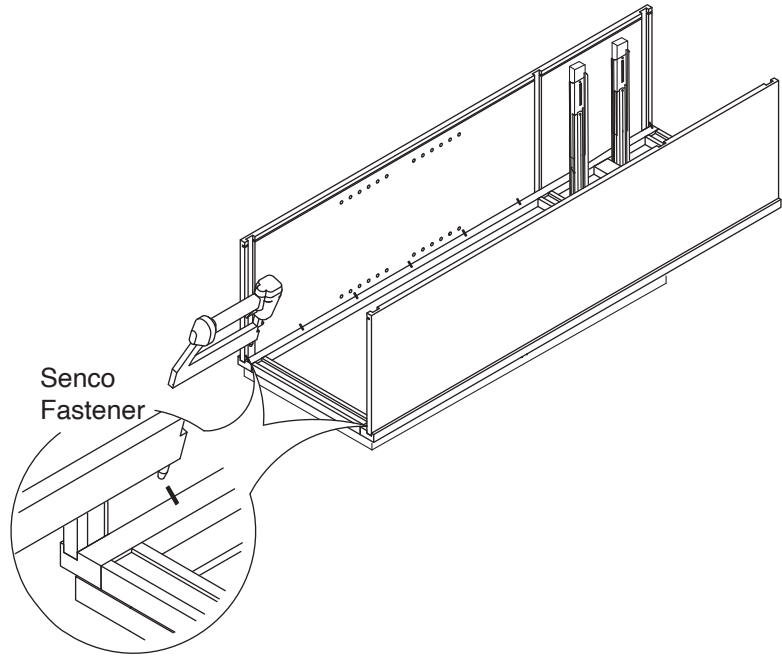
Step 4:



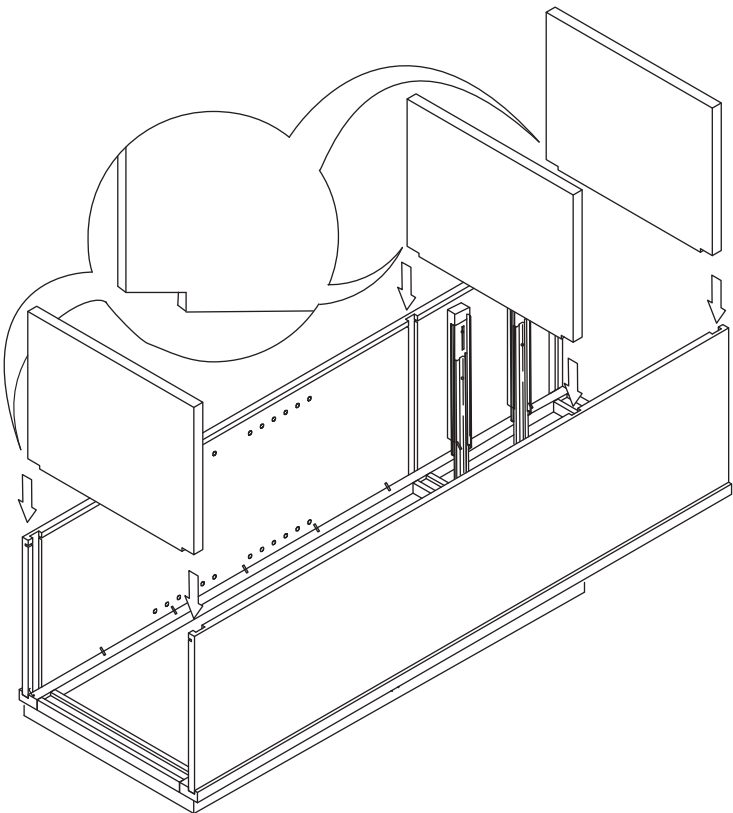
Step 5:



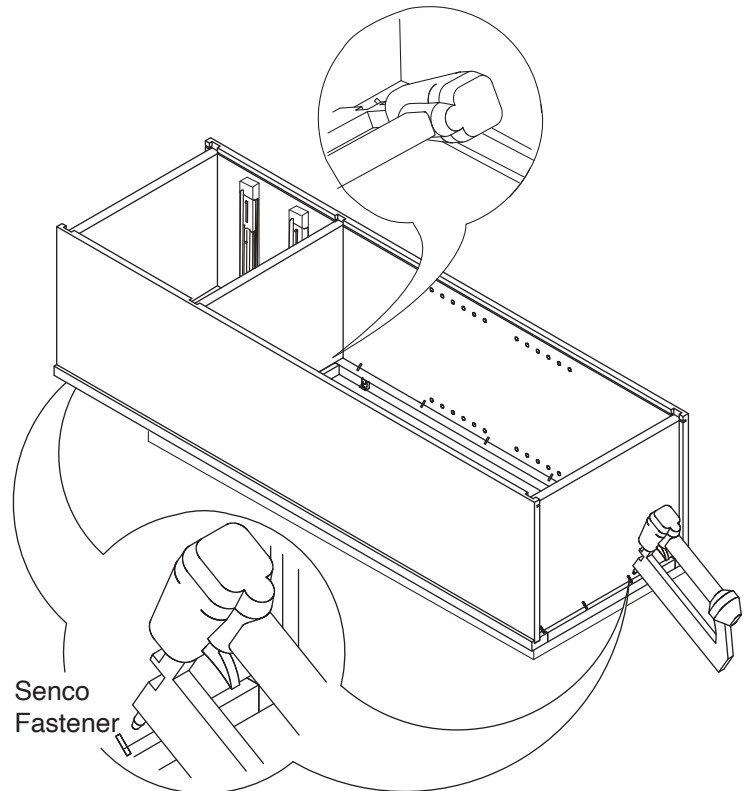
Step 6:



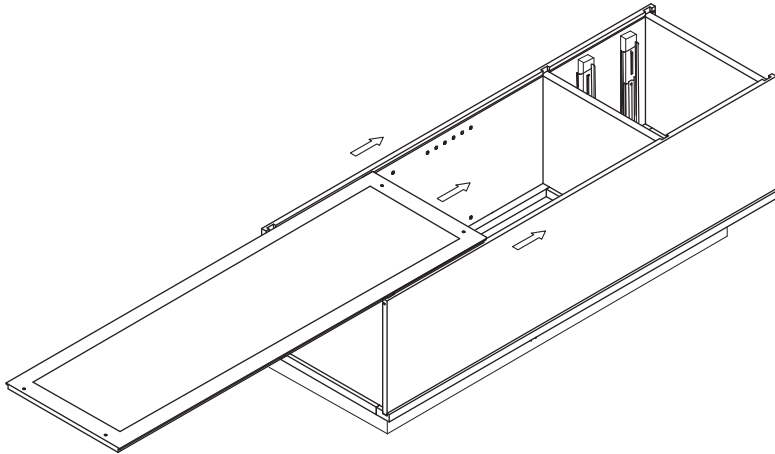
Step 7:



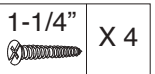
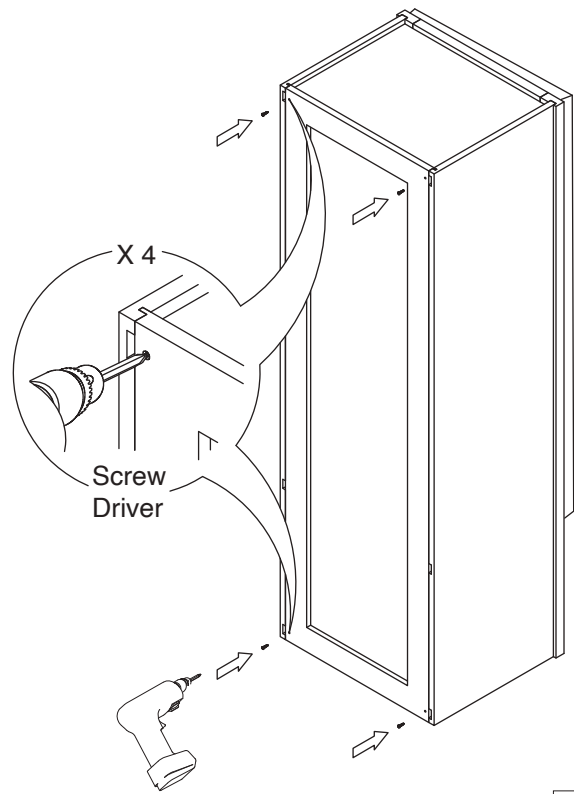
Step 8:



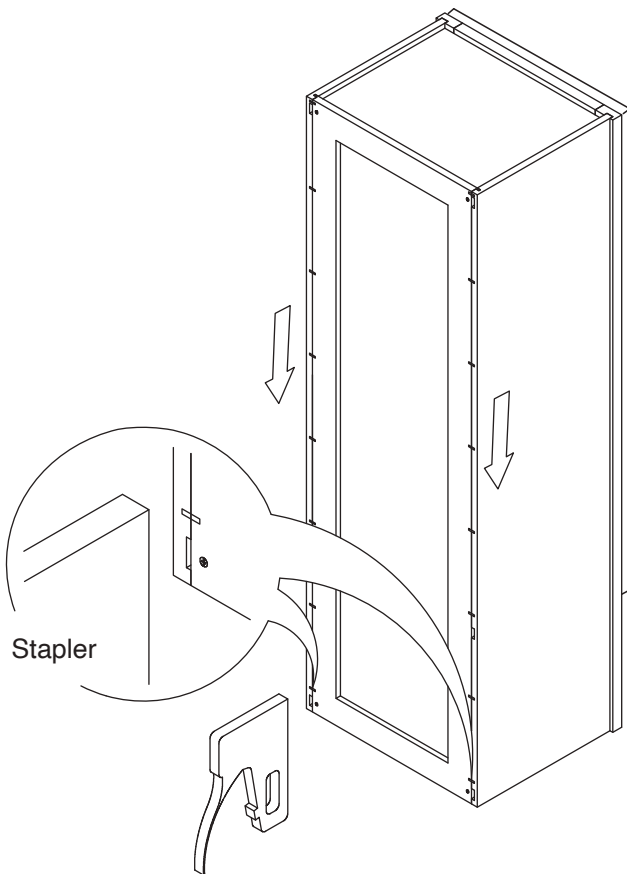
Step 9:



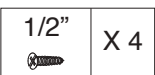
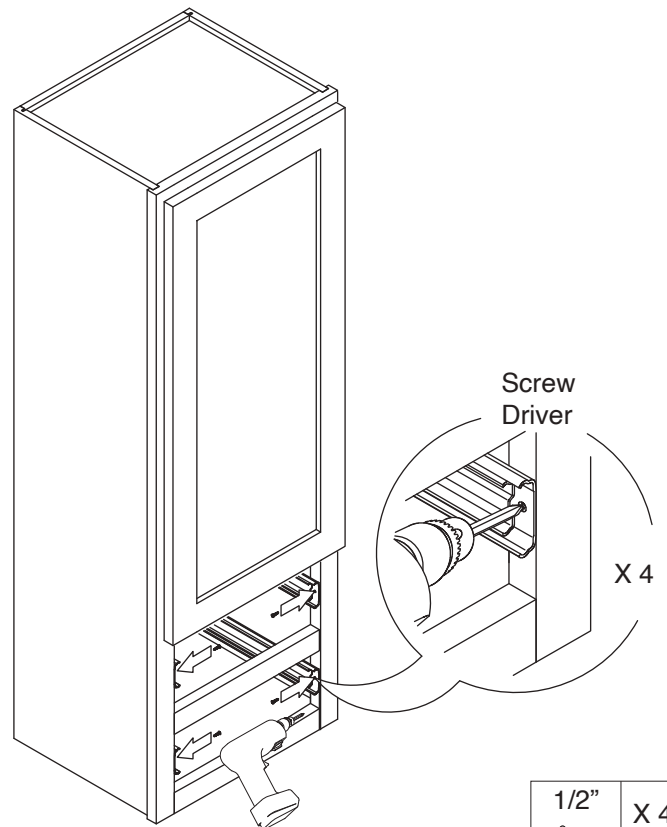
Step 10:



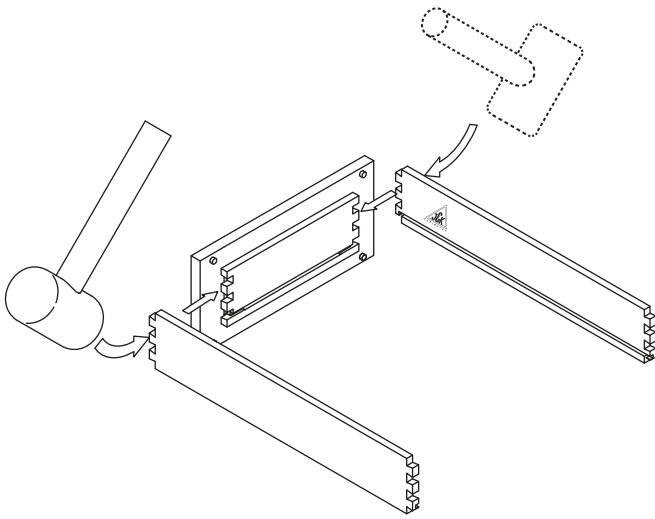
Step 11:



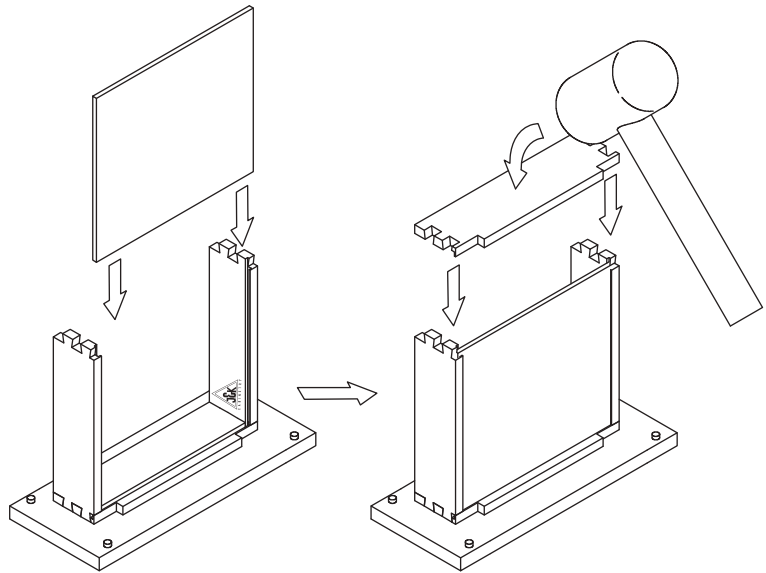
Step 12:



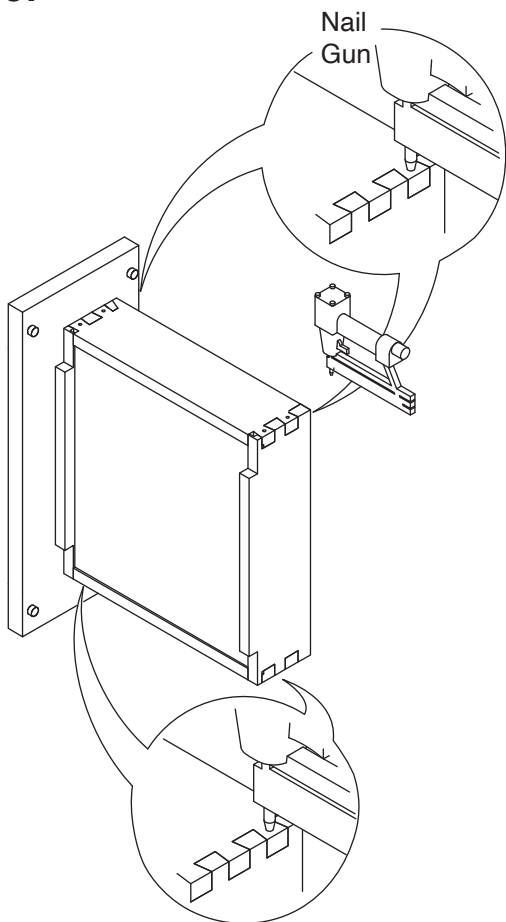
Step 13:



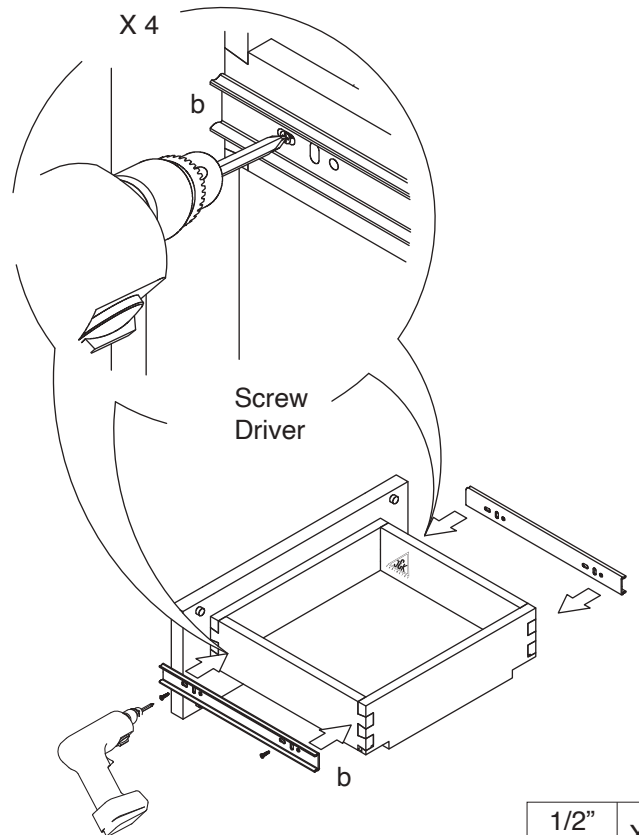
Step 14:



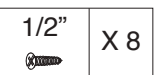
Step 15:



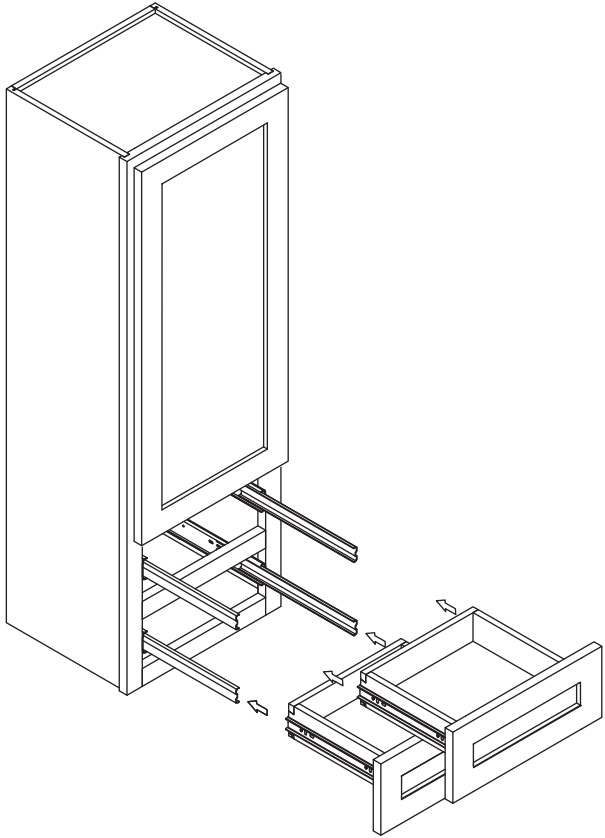
Step 16:



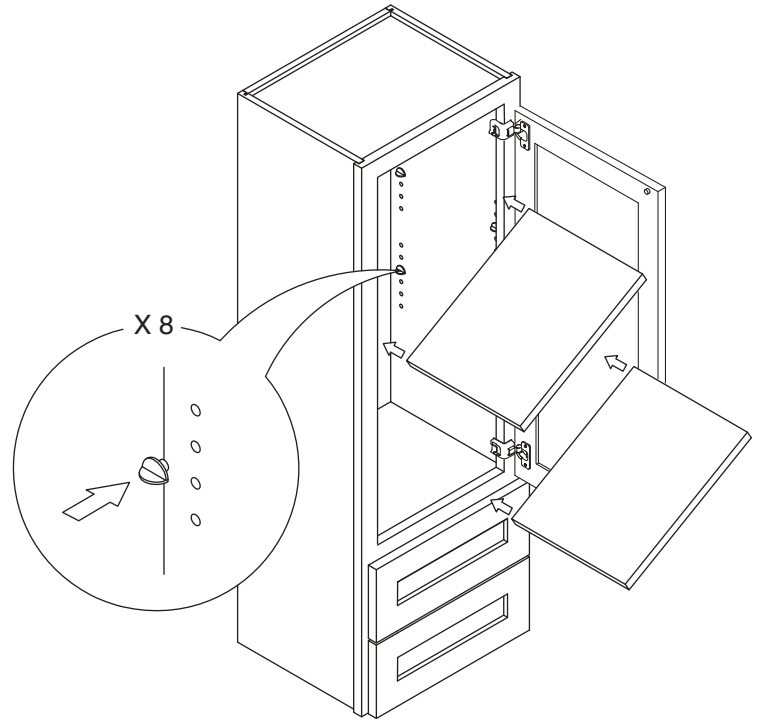
* repeat for other drawer



Step 17:



Step 18:



Step 19:

