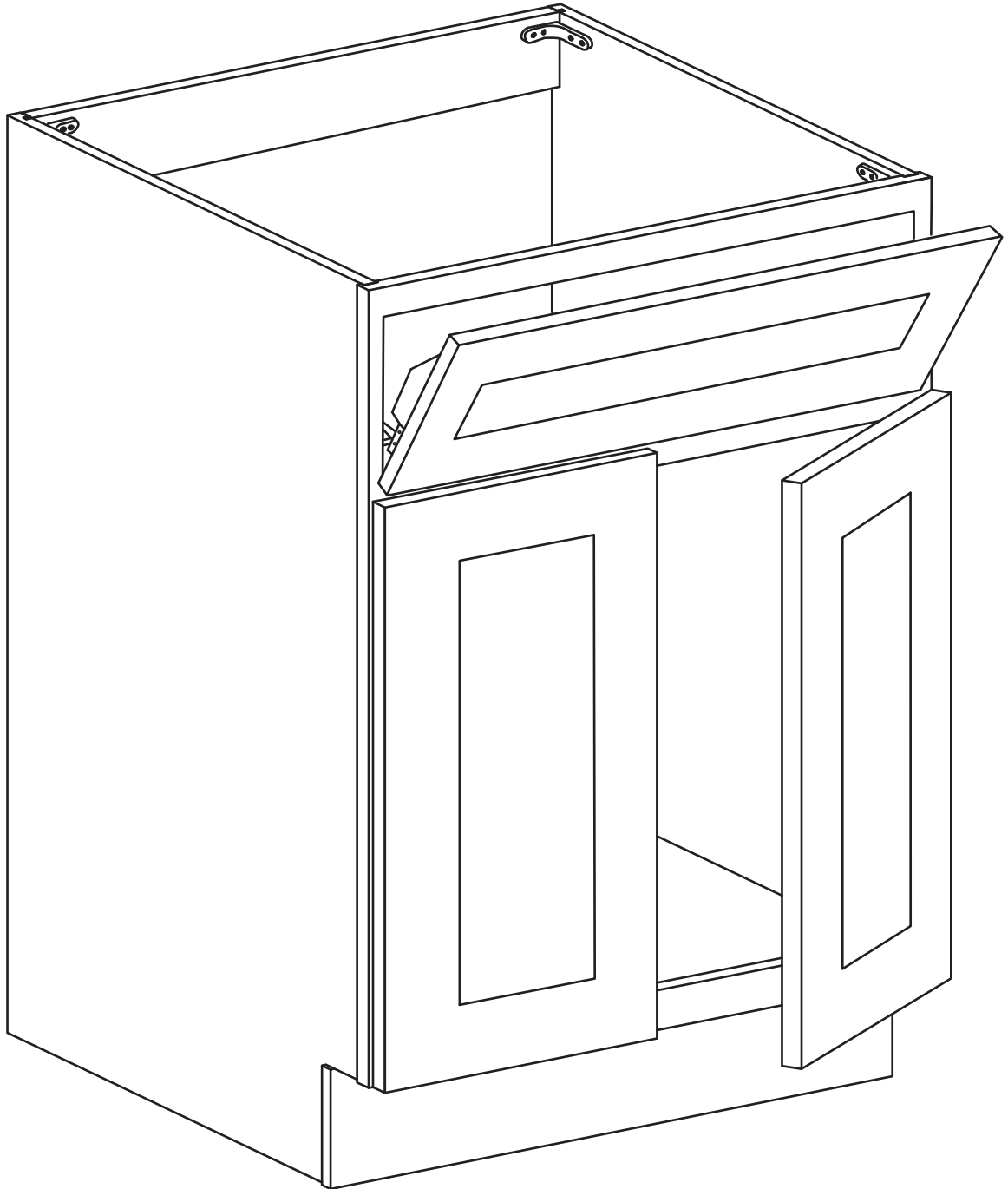


Assembly Instruction

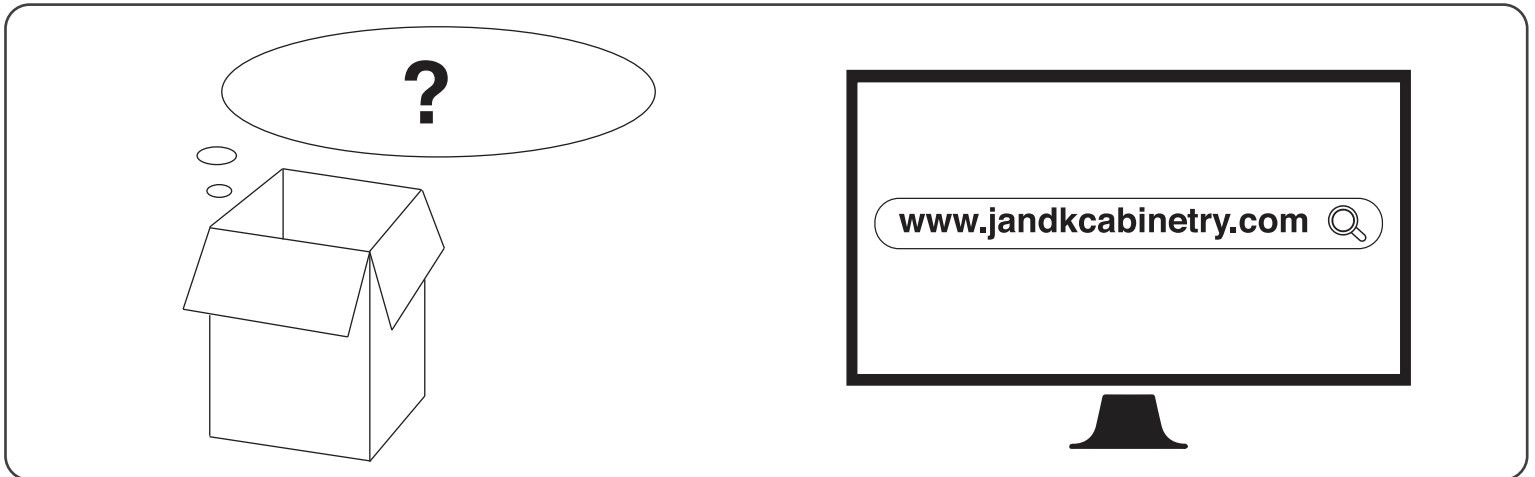
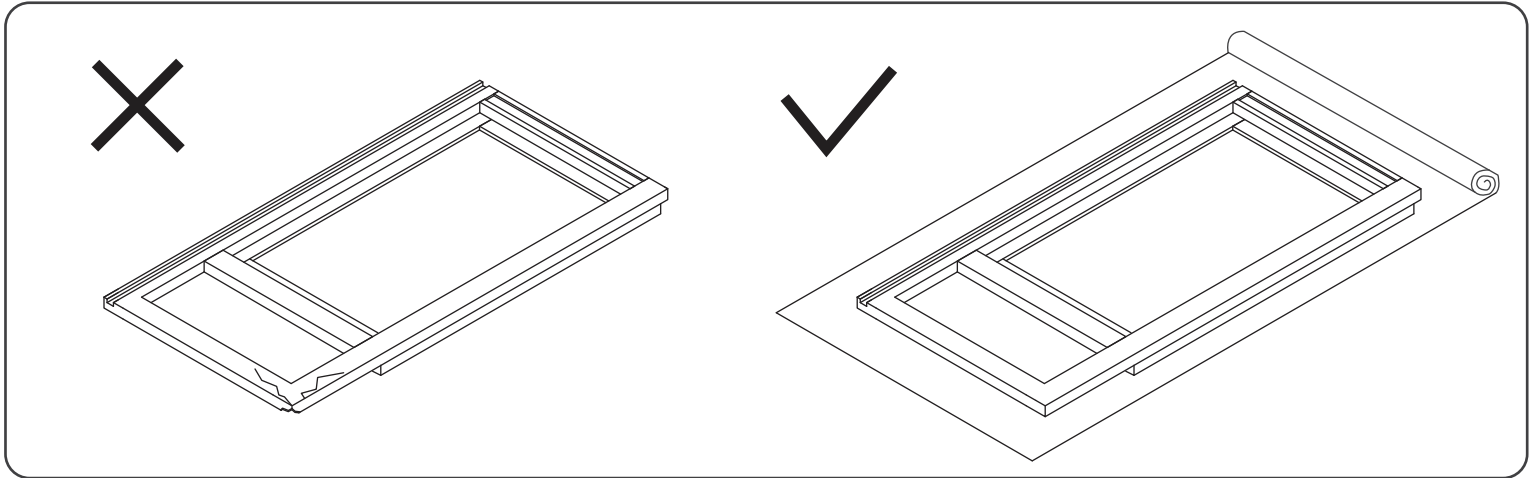
2020 Edition



Vanity Sink Cabinet

Item Code:

FA2421, FA3021, FA3621



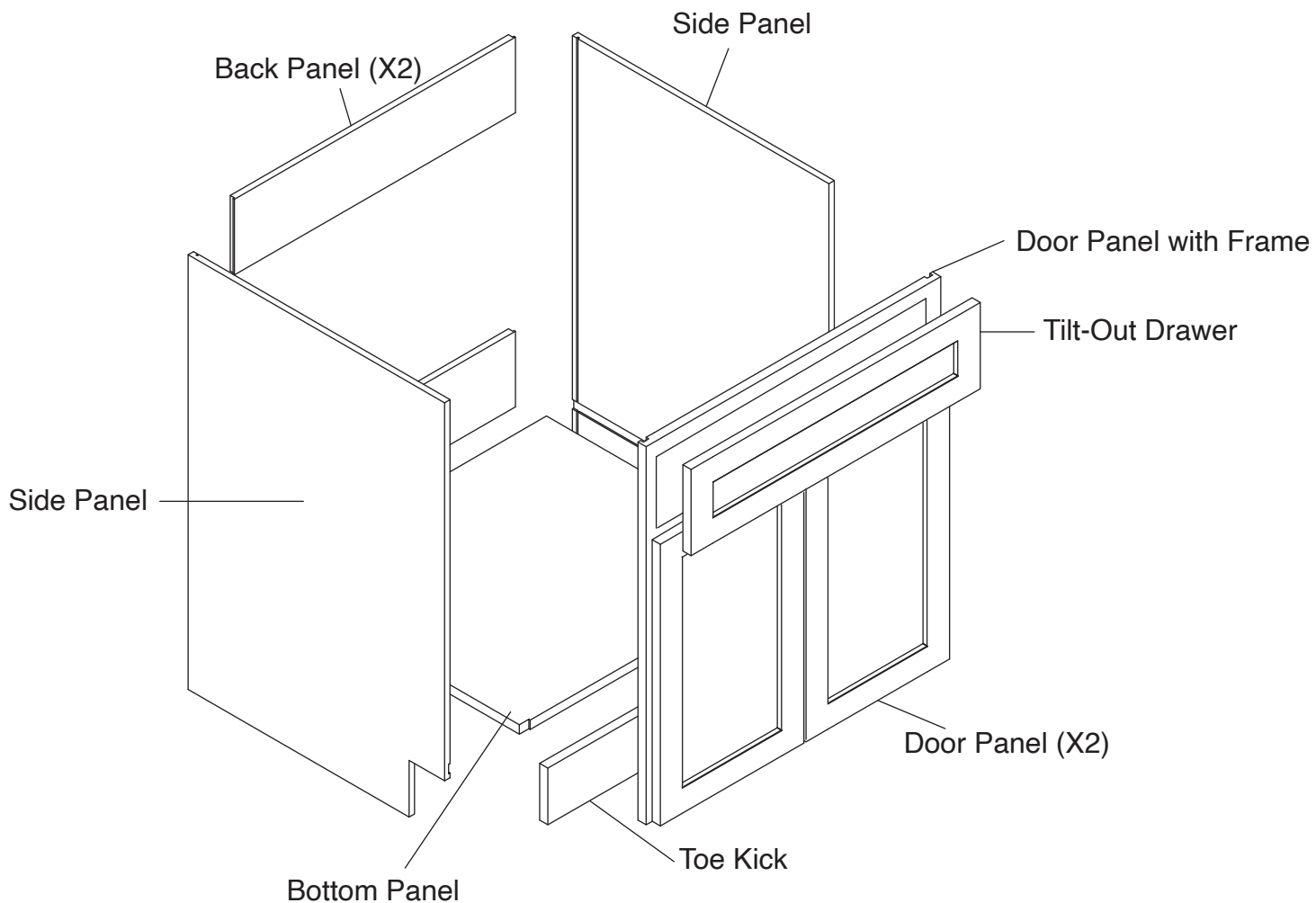
 **WARNING:**

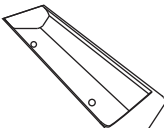





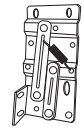
1. Please be careful when opening the box with boxcutter and/or blade.
2. J&K Cabinetry is not responsible for any injuries and/or damages incurred during cabinet assembly.

 **SERVICE:**

During the installation process, if you encounter any problems, please go to our official website: www.jandkcabinetry.com, check the full version assembly instruction or watch the assembly video online.

Included Items:



		1/2" 	19/32" 	1-3/16" 		
Tray X 1	90° Brackets X 4	Screws X 10	Screws X 16	Screws X 4	Door Bumpers X 8	Hinges X 2

Recommended Tools:



Wood Glue



Screw Driver



Rubber Mallet



Compressor



Nail Gun



Stapler



Senco Fastener

Safety Tools:



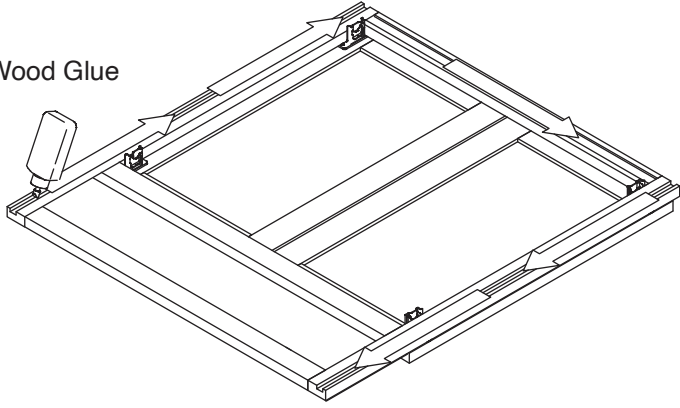
Eye Wear



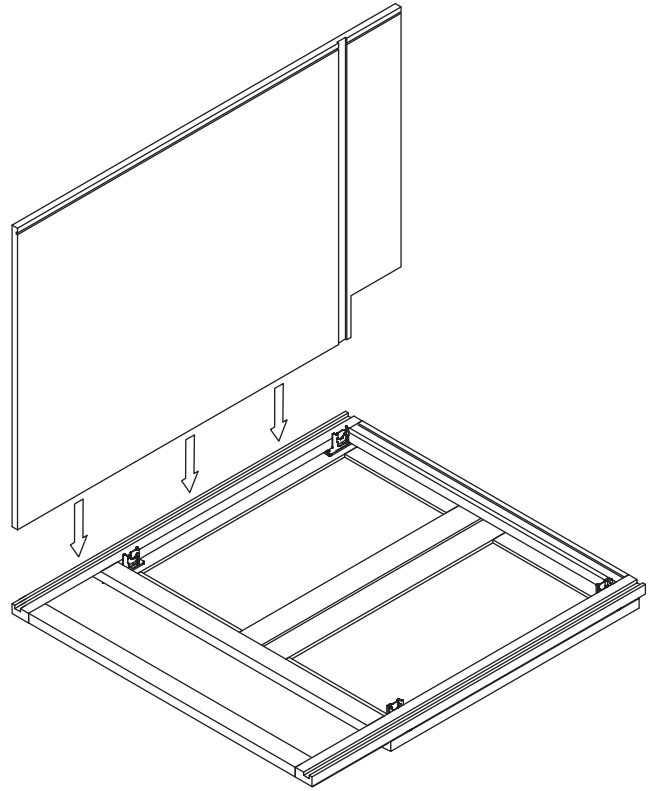
Gloves

Step 1:

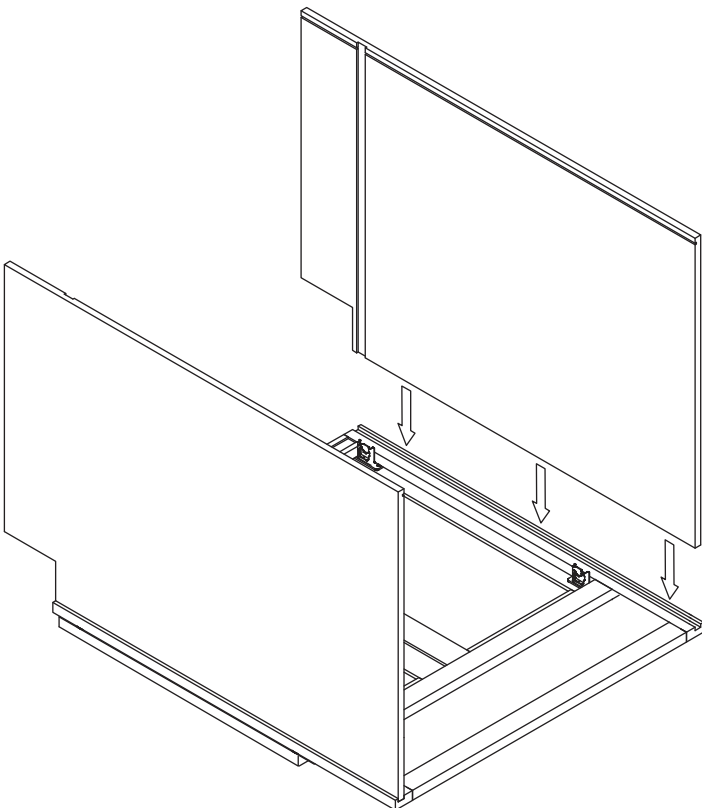
Wood Glue



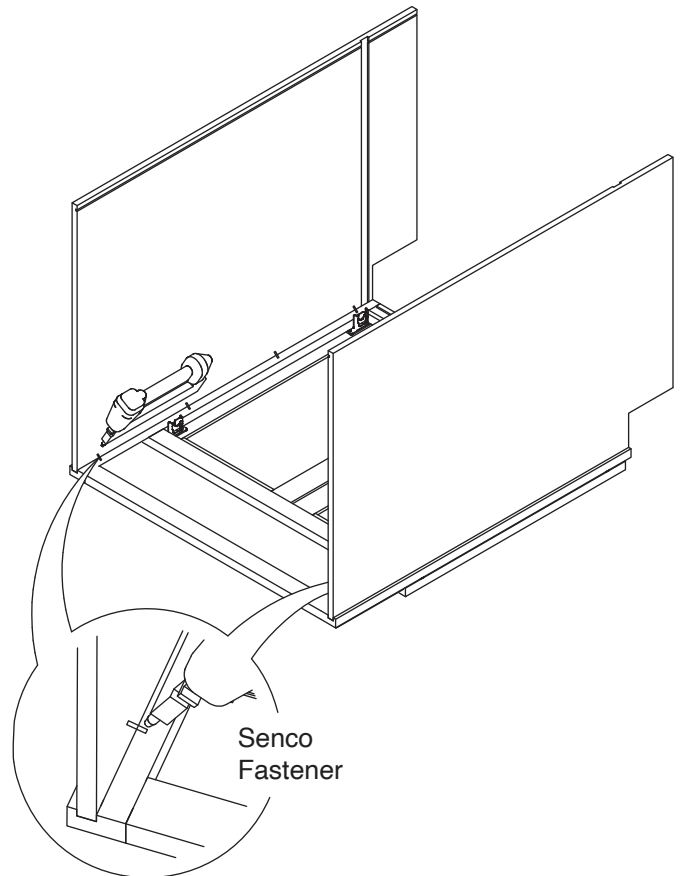
Step 2:



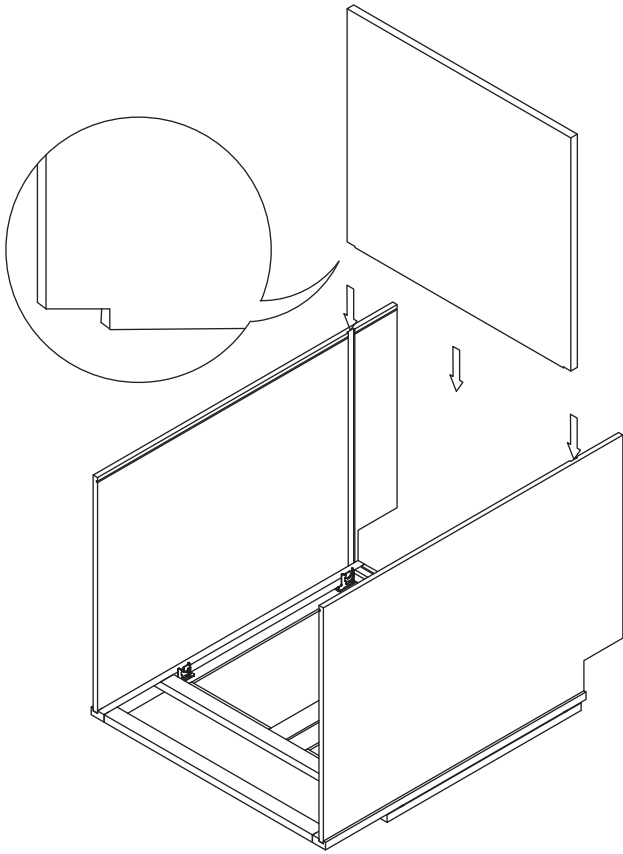
Step 3:



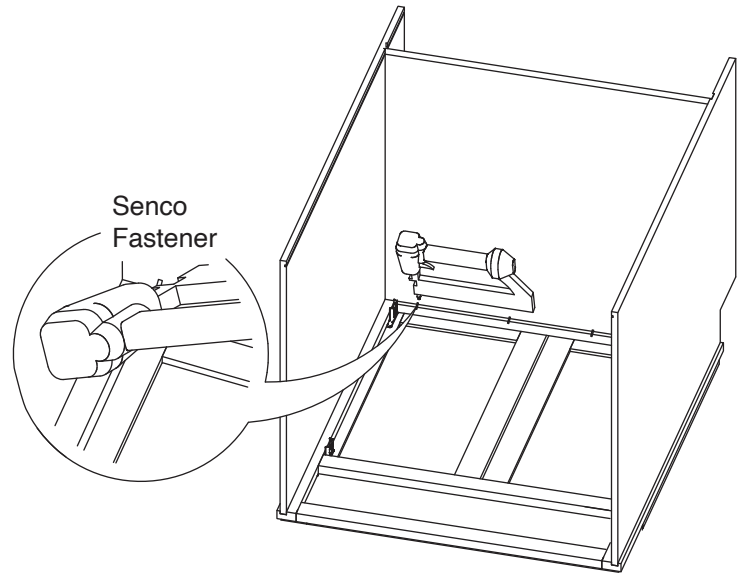
Step 4:



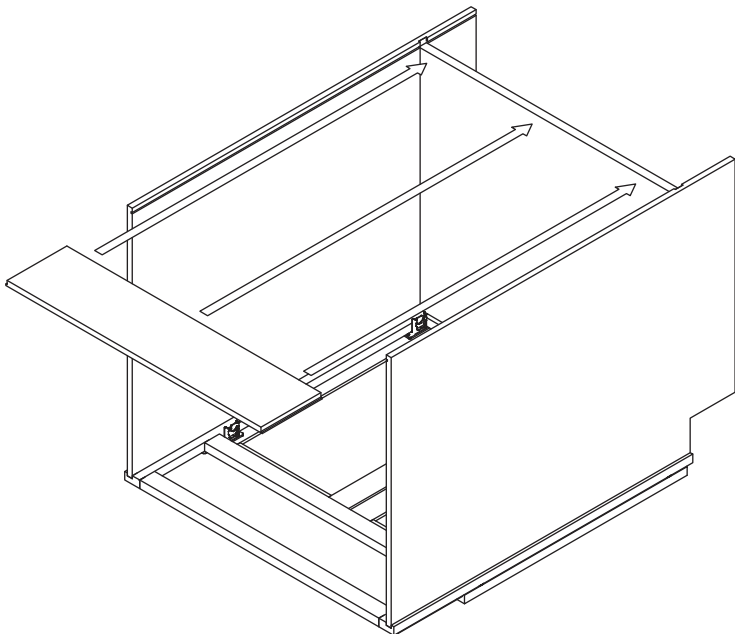
Step 5:



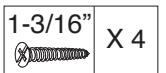
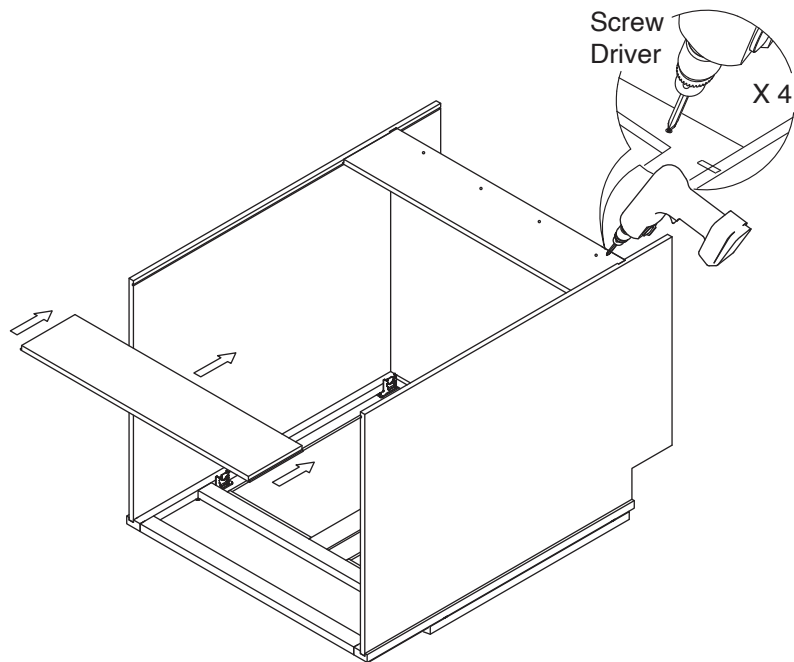
Step 6:



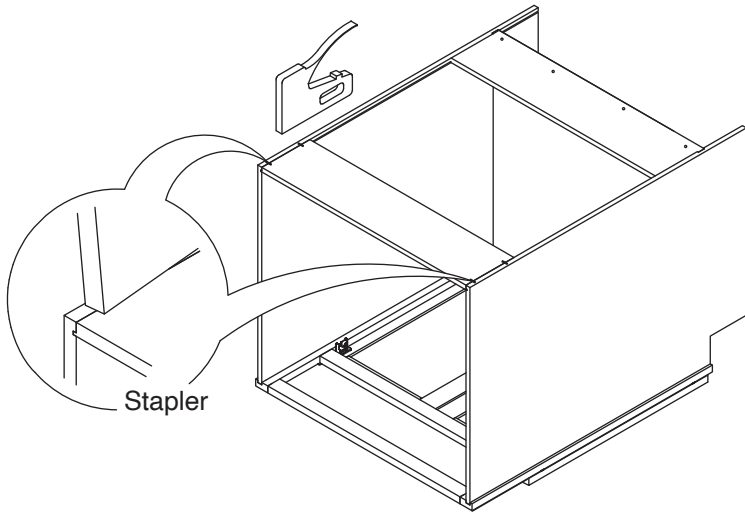
Step 7:



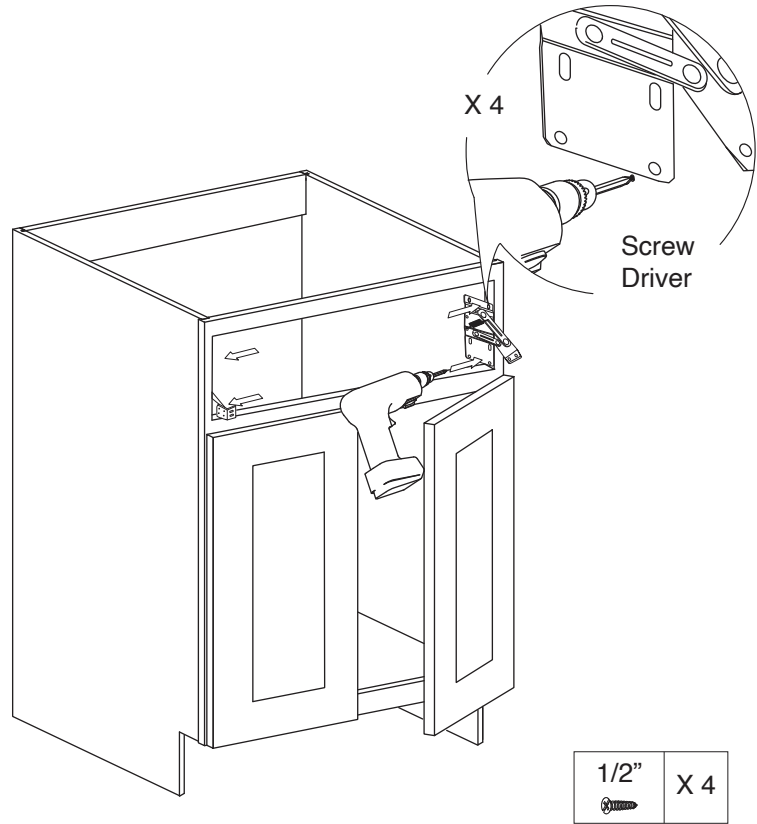
Step 8:



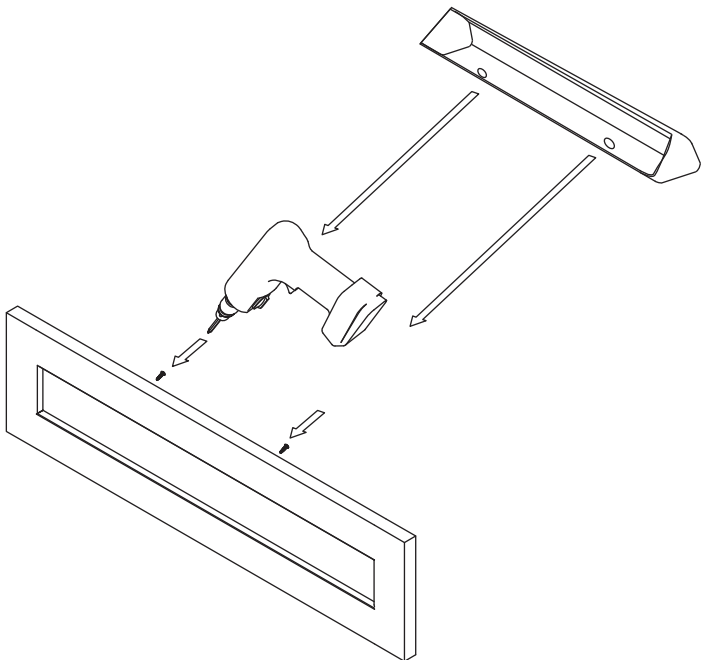
Step 9:



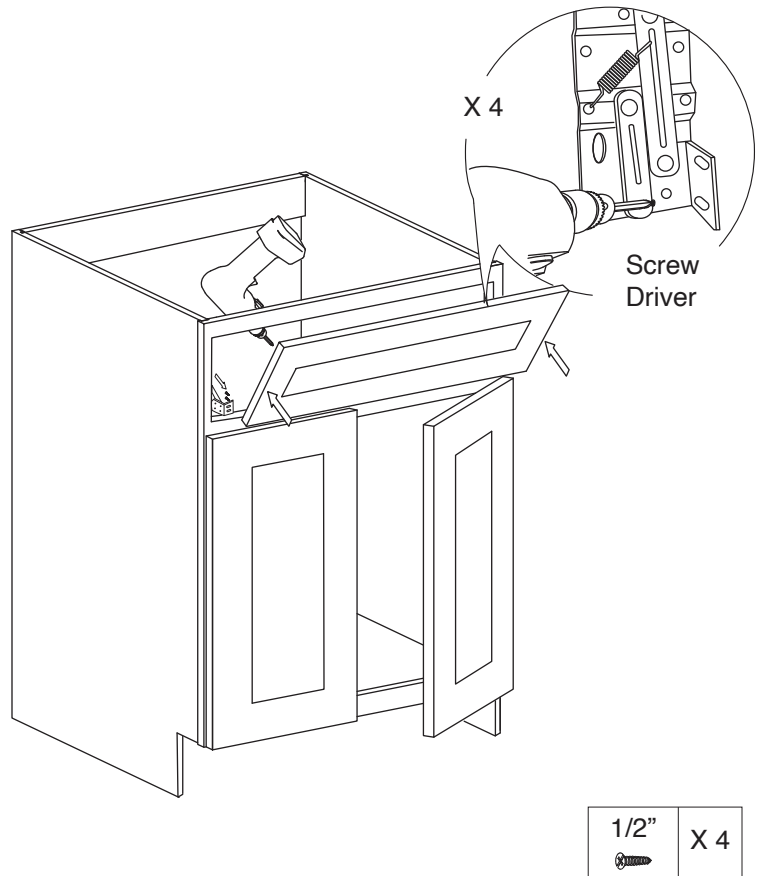
Step 10:



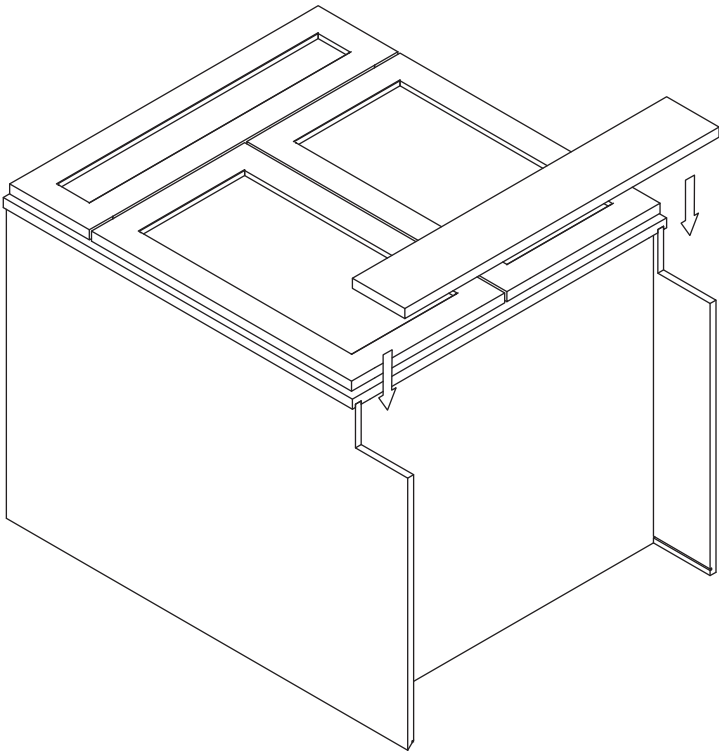
Step 11:



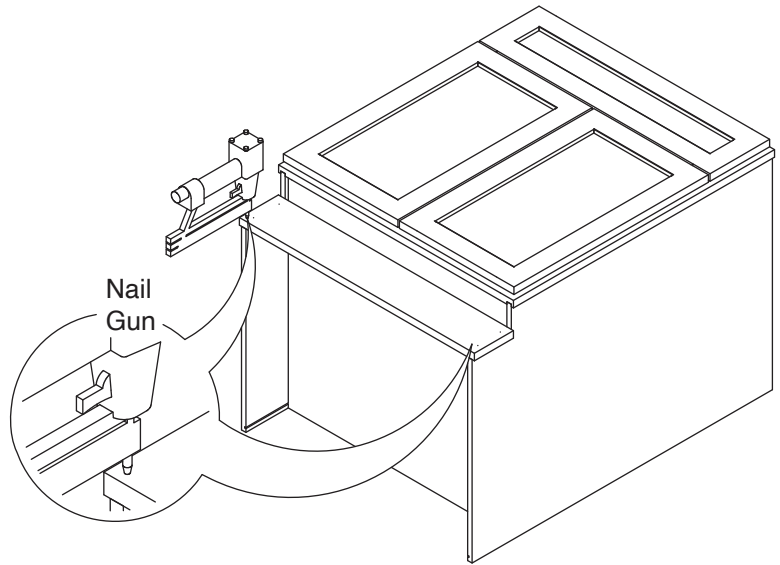
Step 12:



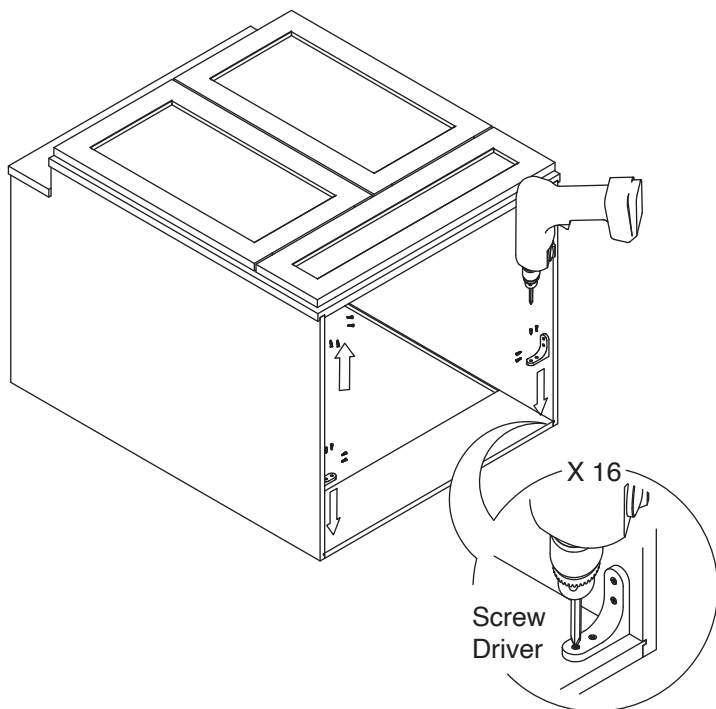
Step 13:



Step 14:



Step 15:



Step 16:

