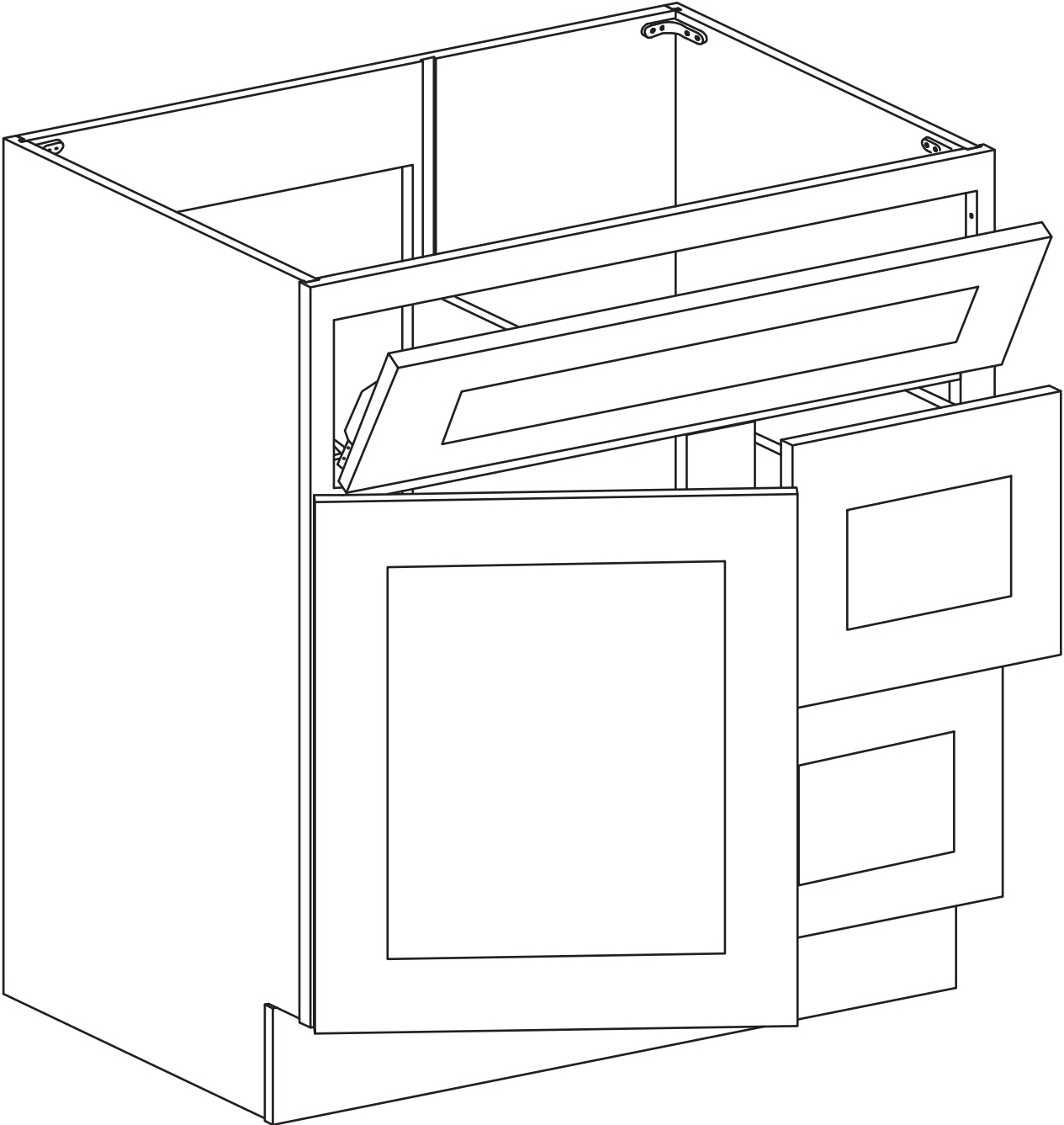


Assembly Instruction

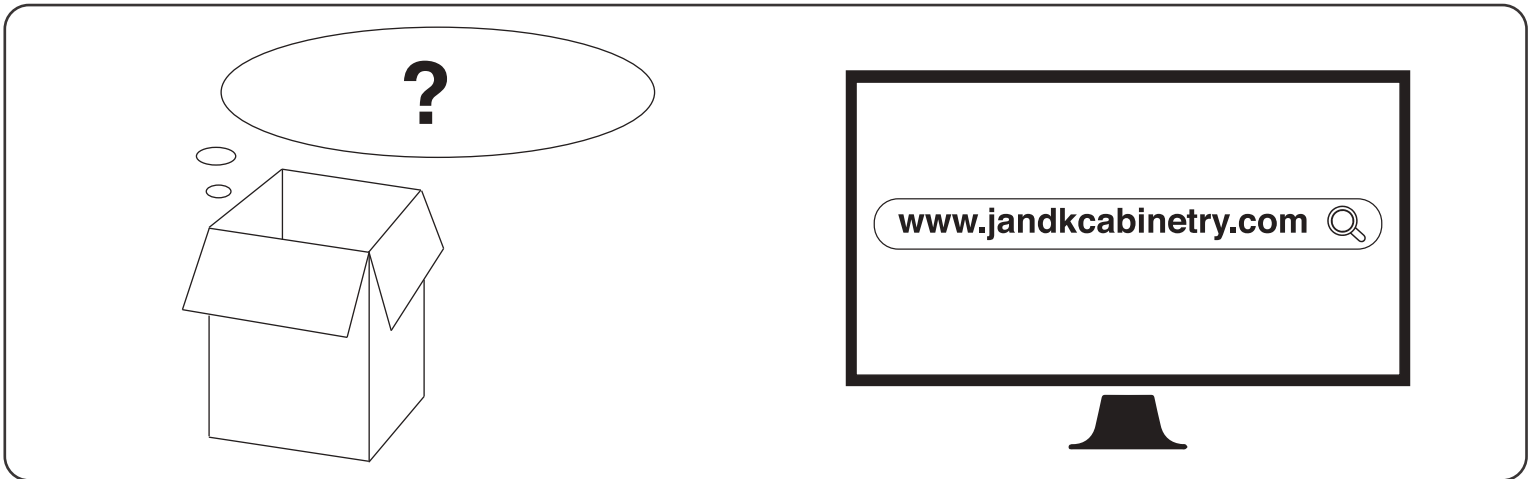
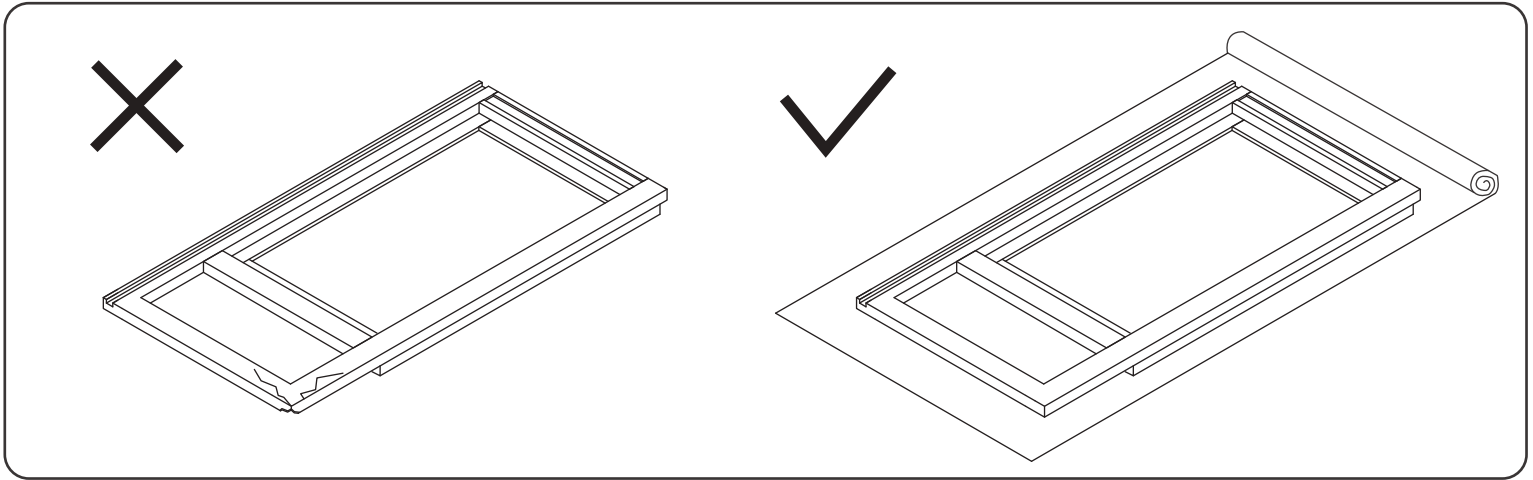
2020 Edition



Vanity Sink Cabinet

Item Code:

FA3021DL, FA3021DR



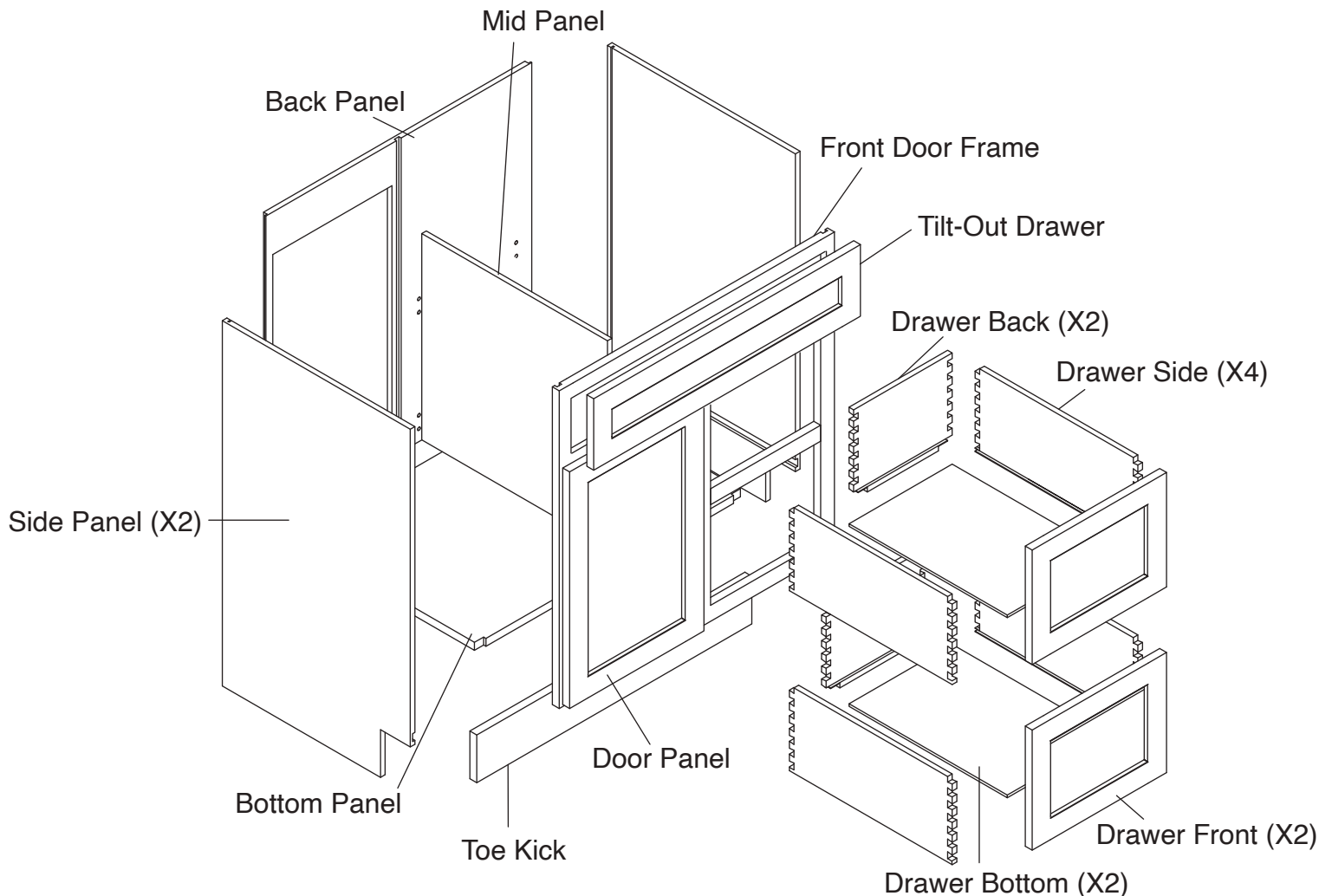
! WARNING:

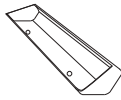





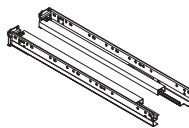
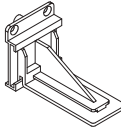
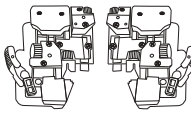
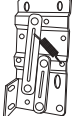
1. Please be careful when opening the box with boxcutter and/or blade.
2. J&K Cabinetry is not responsible for any injuries and/or damages incurred during cabinet assembly.

? SERVICE:

During the installation process, if you encounter any problems, please go to our official website: www.jandkcabinetry.com, check the full version assembly instruction or watch the assembly video online.

Included Items:

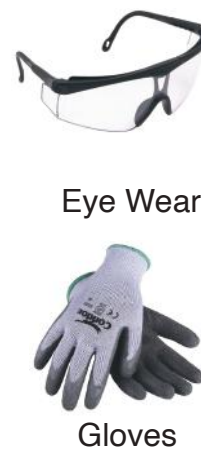


									
Tray X 1	90° Brackets X 4	Screws X 30	Screws X 16	Screws X 5	Door Bumpers X 14	Under Mount Drawer Glide Kits X 2	Glide Supports X 4	Glide Locking Kits X 2	Hinges X 2

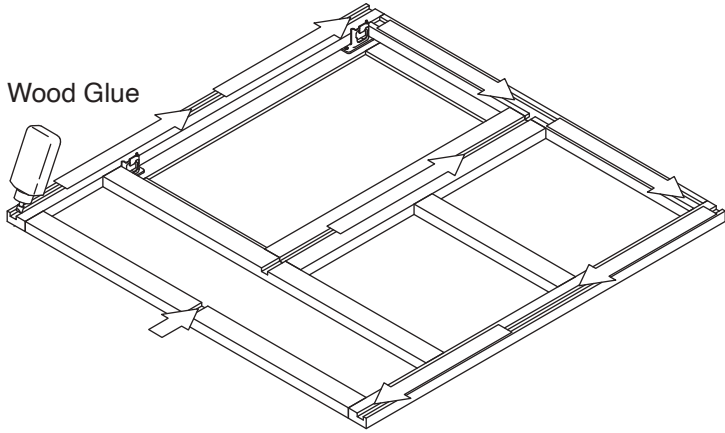
Recommended Tools:



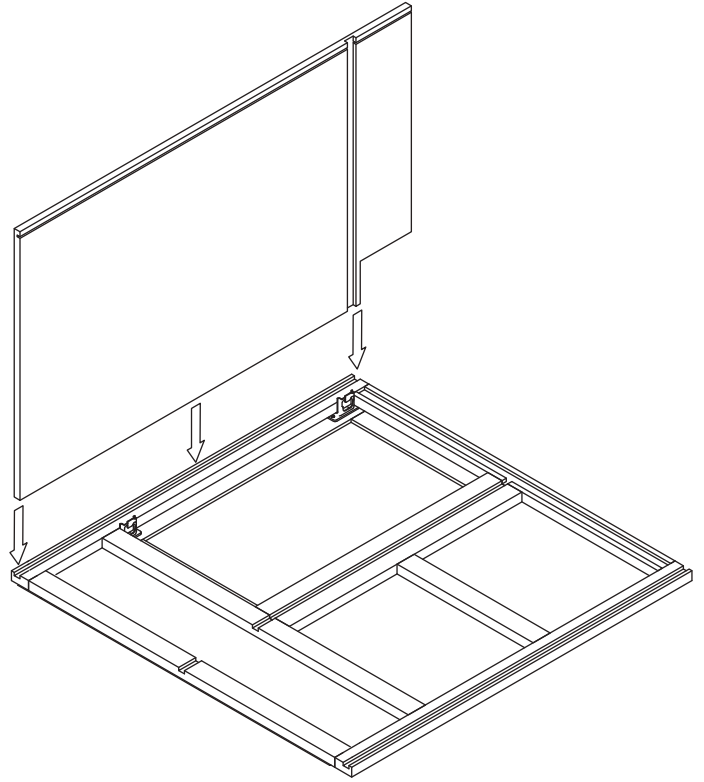
Safety Tools:



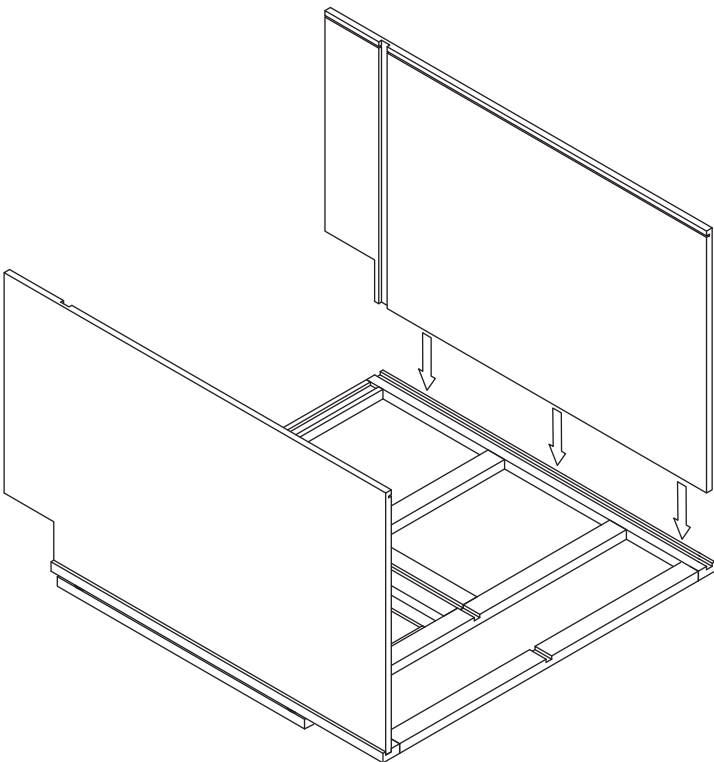
Step 1:



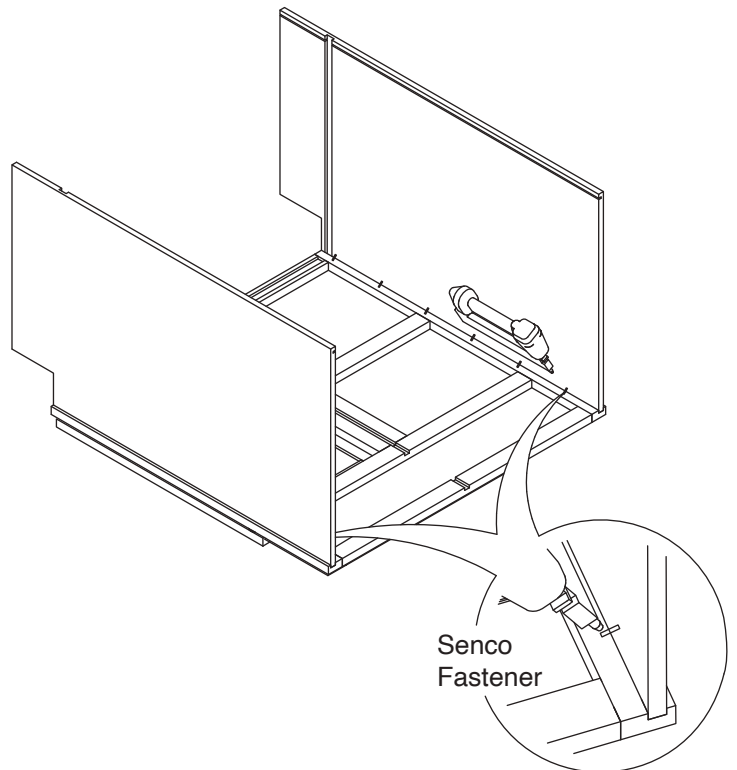
Step 2:



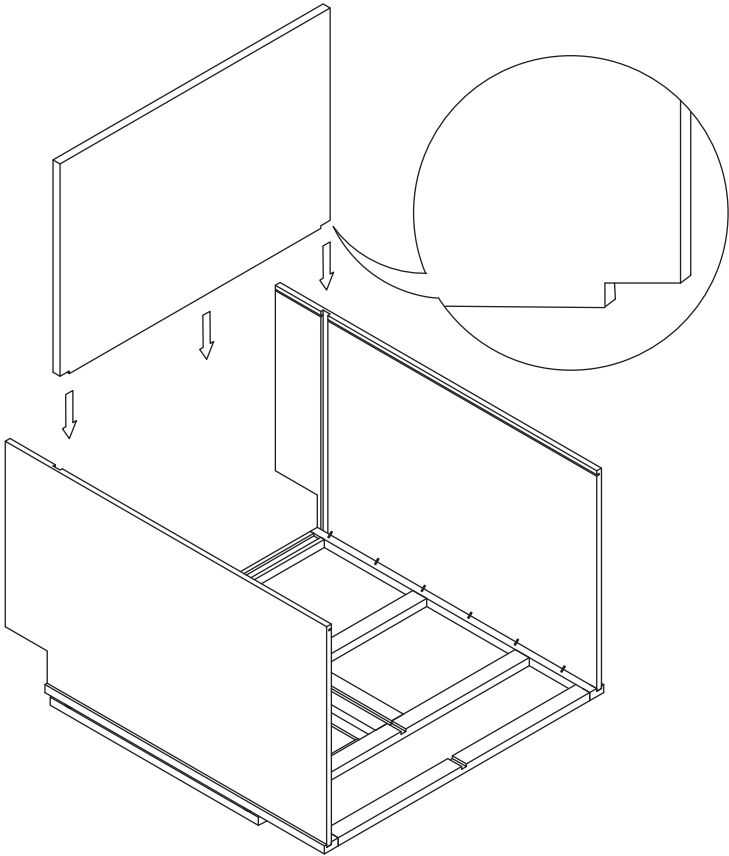
Step 3:



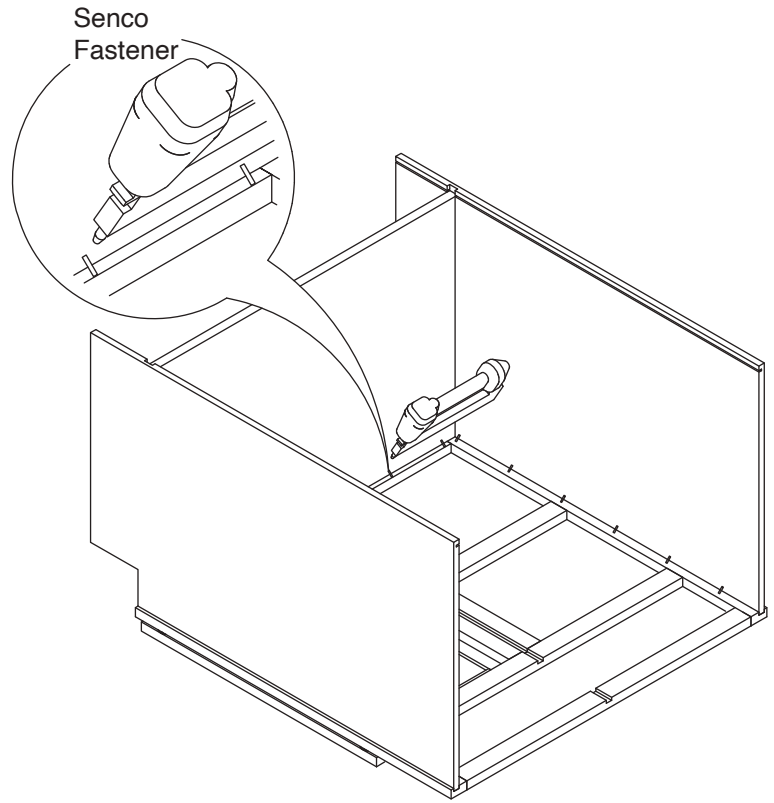
Step 4:



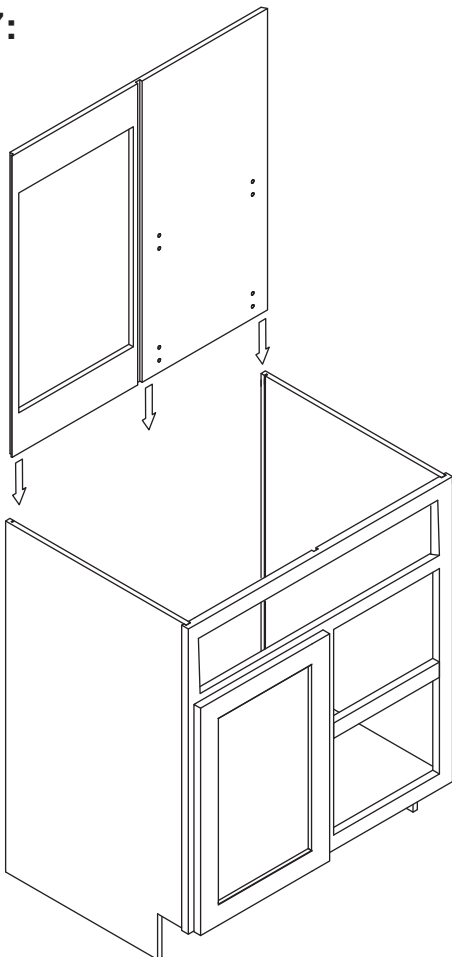
Step 5:



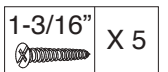
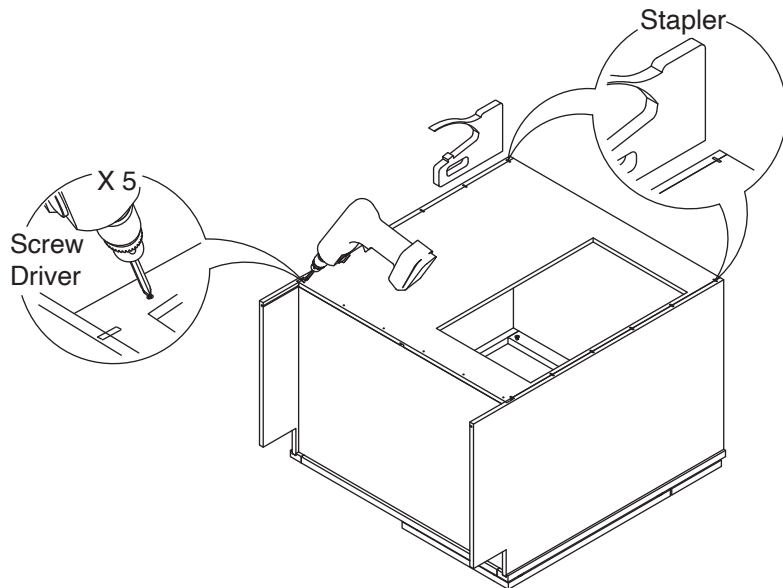
Step 6:



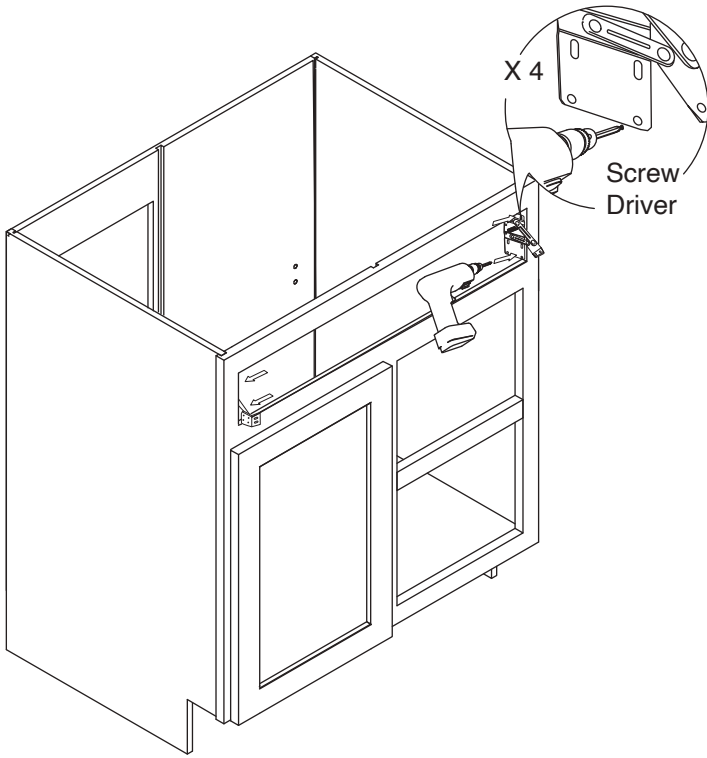
Step 7:



Step 8:

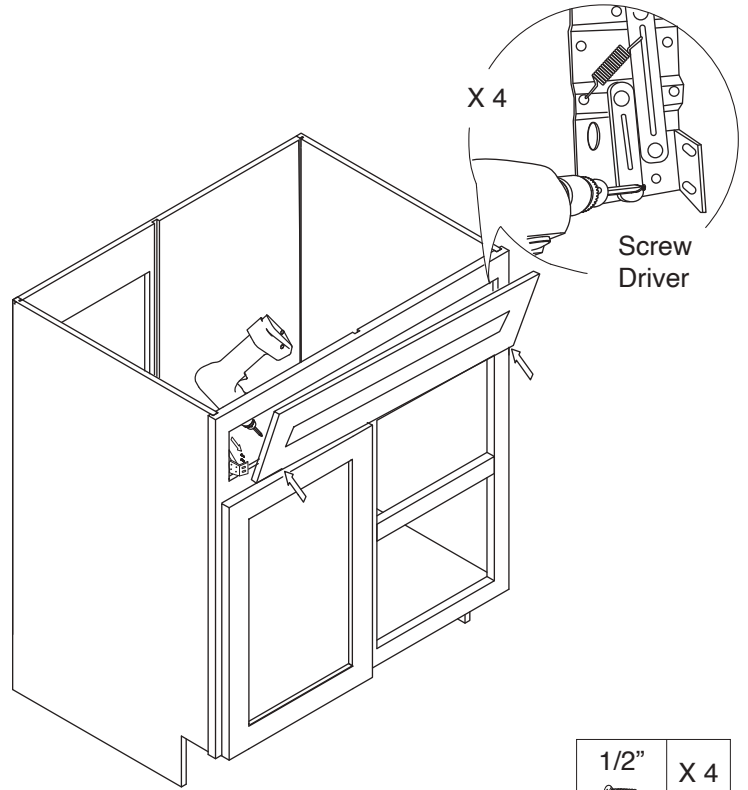


Step 9:



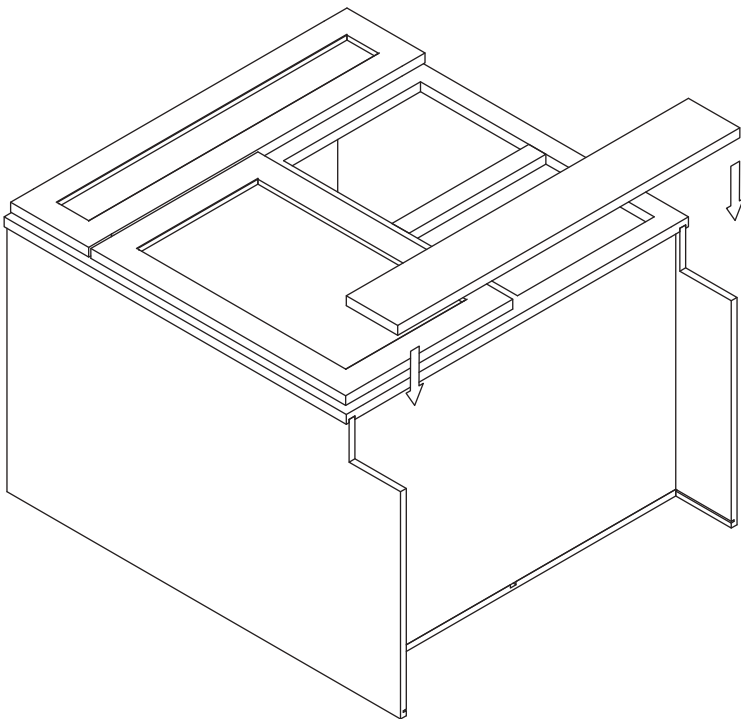
1/2" X 4

Step 10:

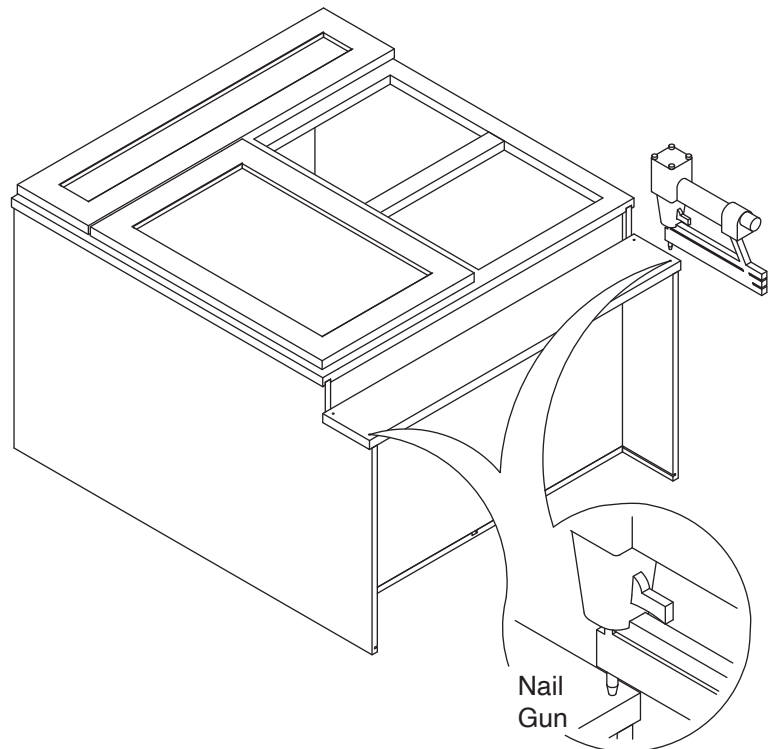


1/2" X 4

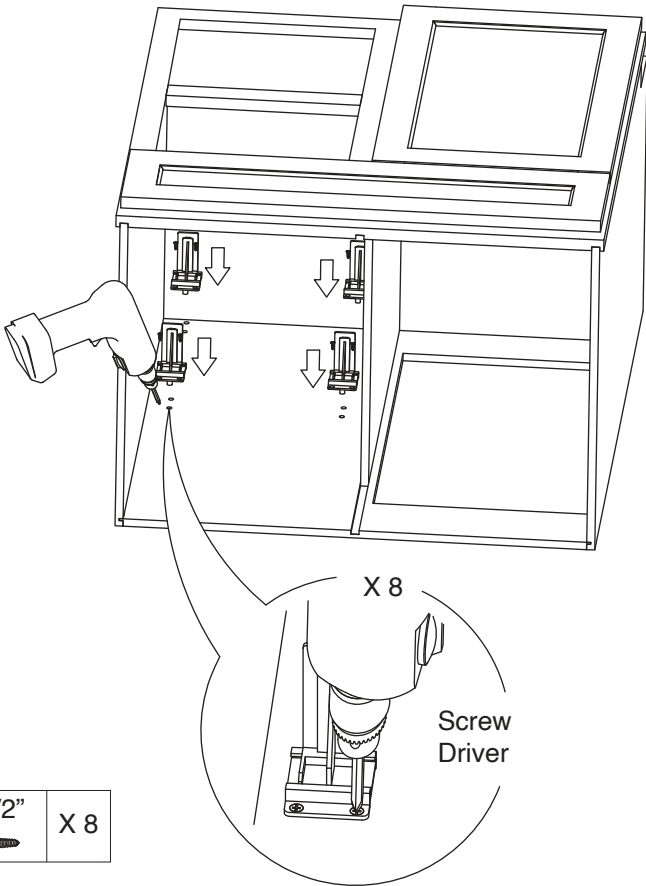
Step 11:



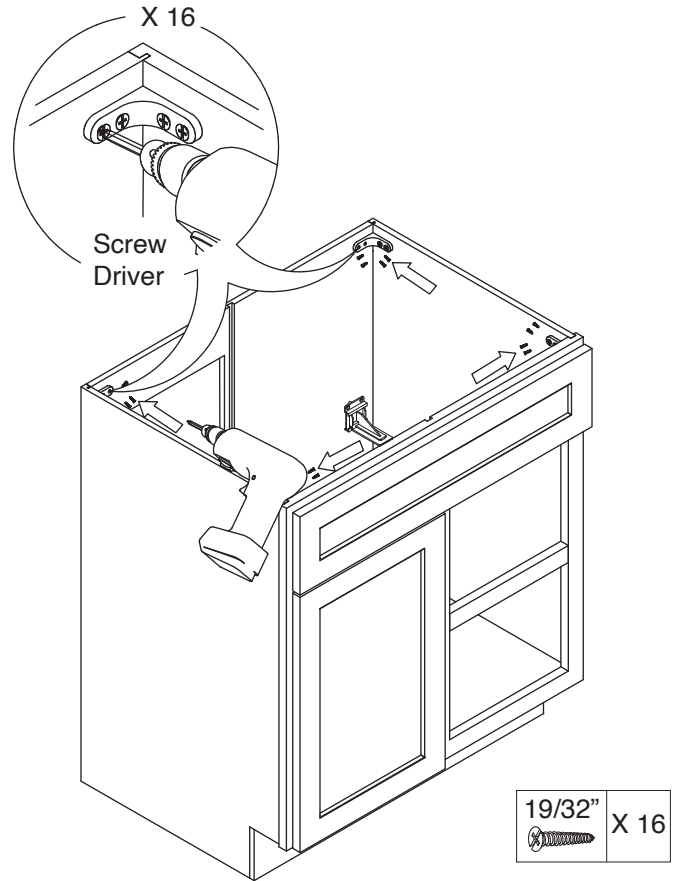
Step 12:



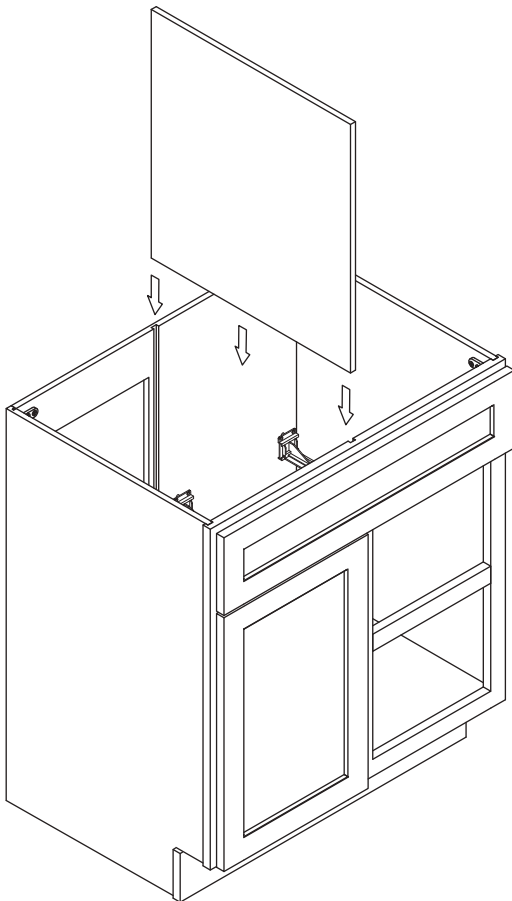
Step 13:



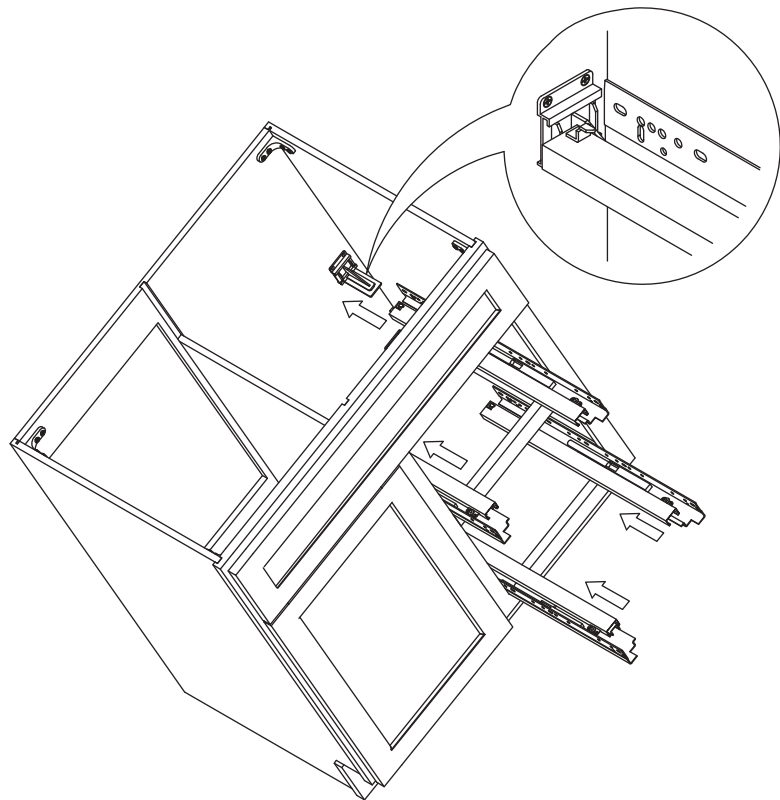
Step 14:



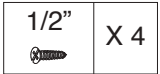
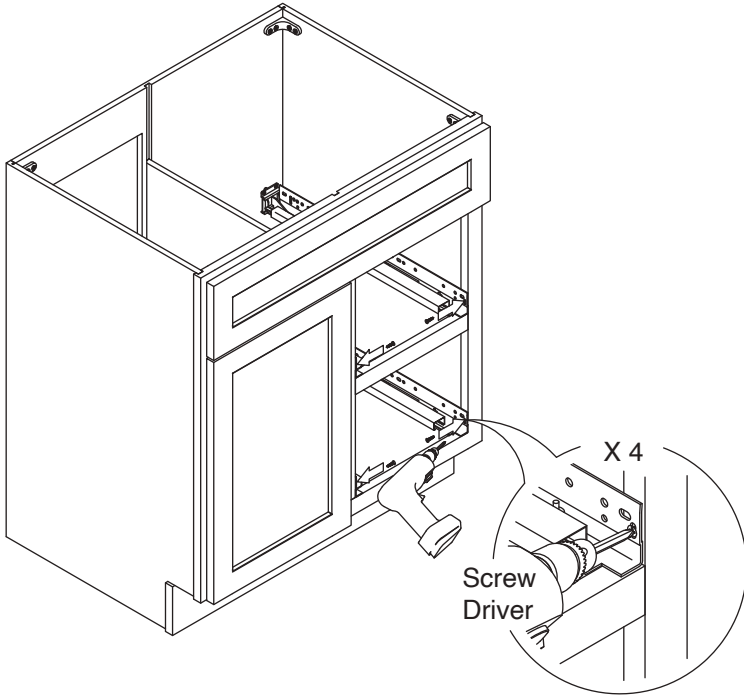
Step 15:



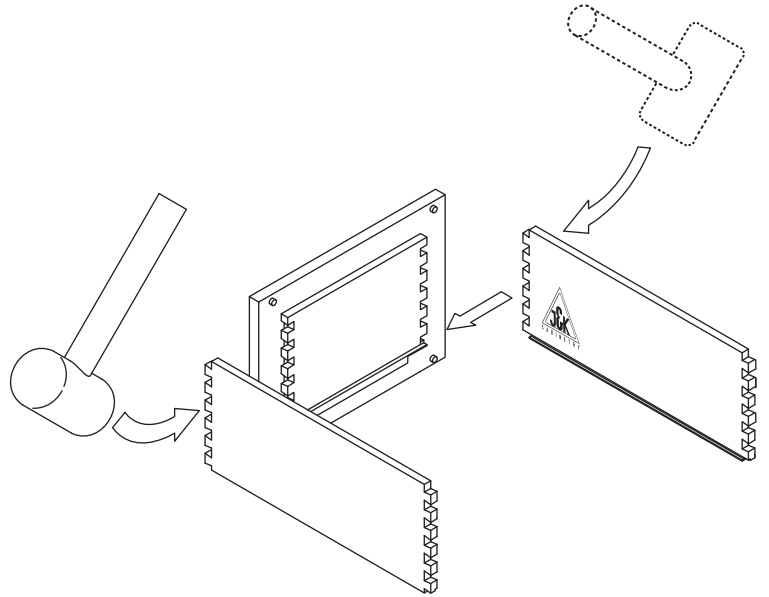
Step 16:



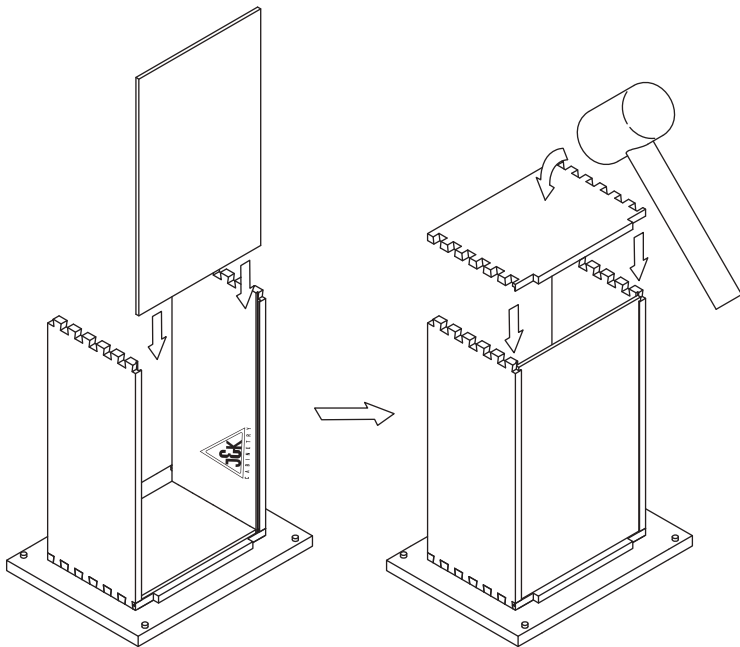
Step 17:



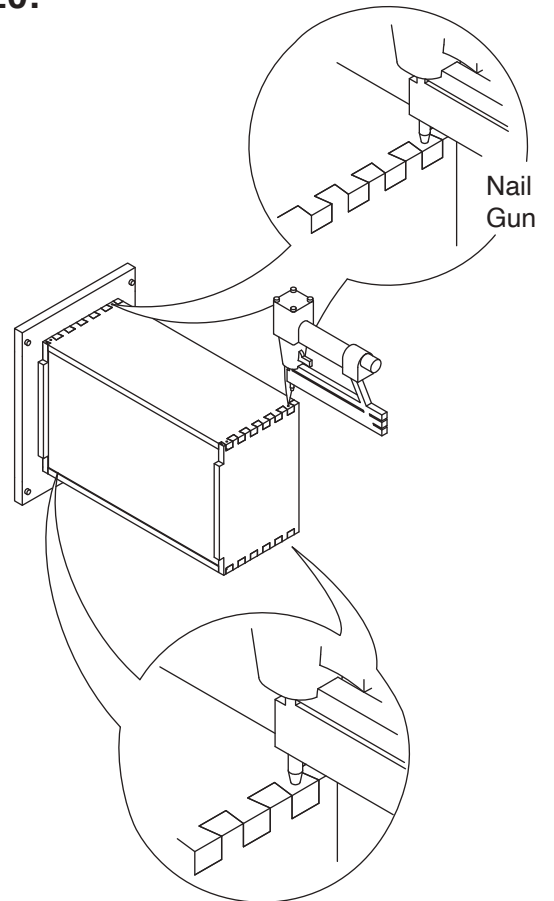
Step 18:



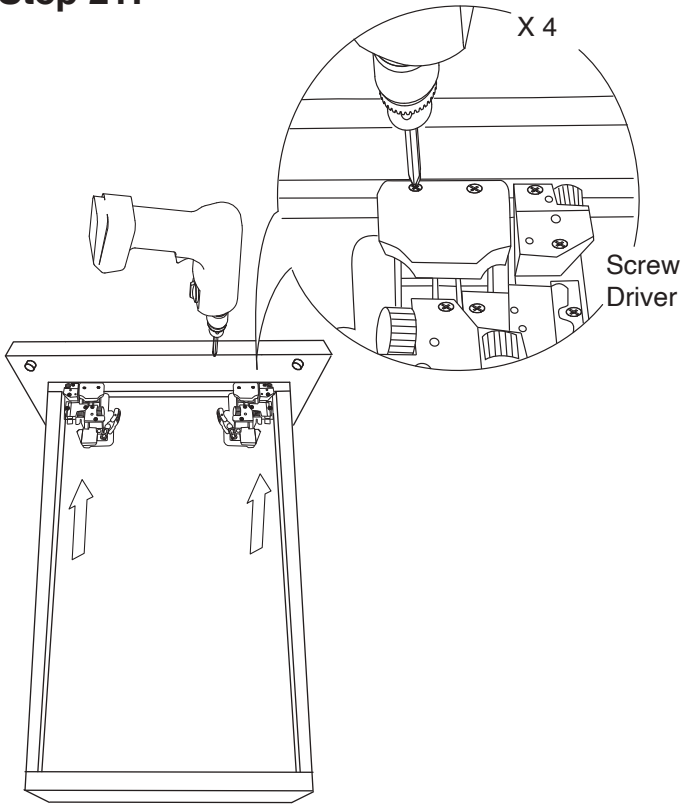
Step 19:



Step 20:



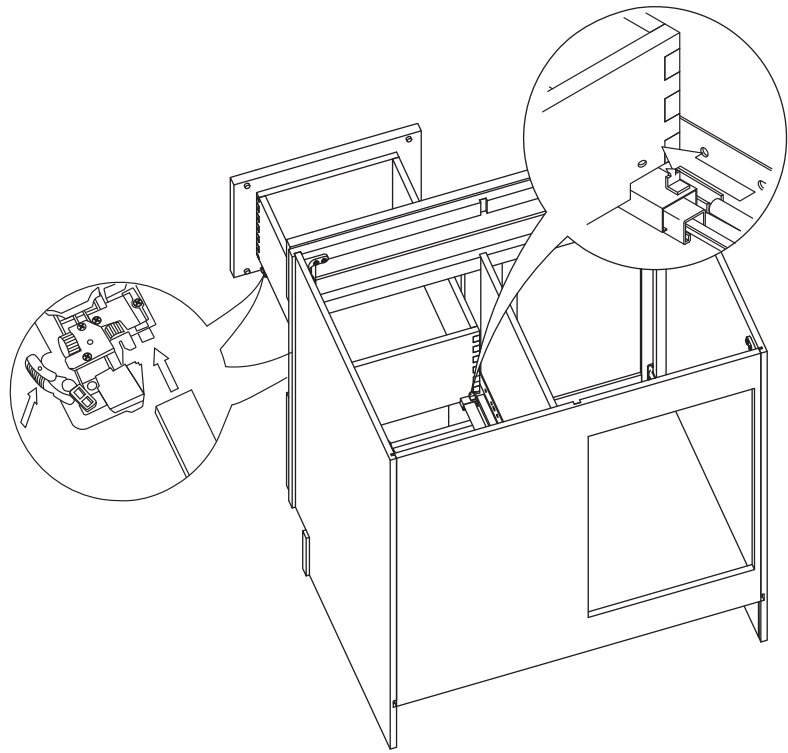
Step 21:



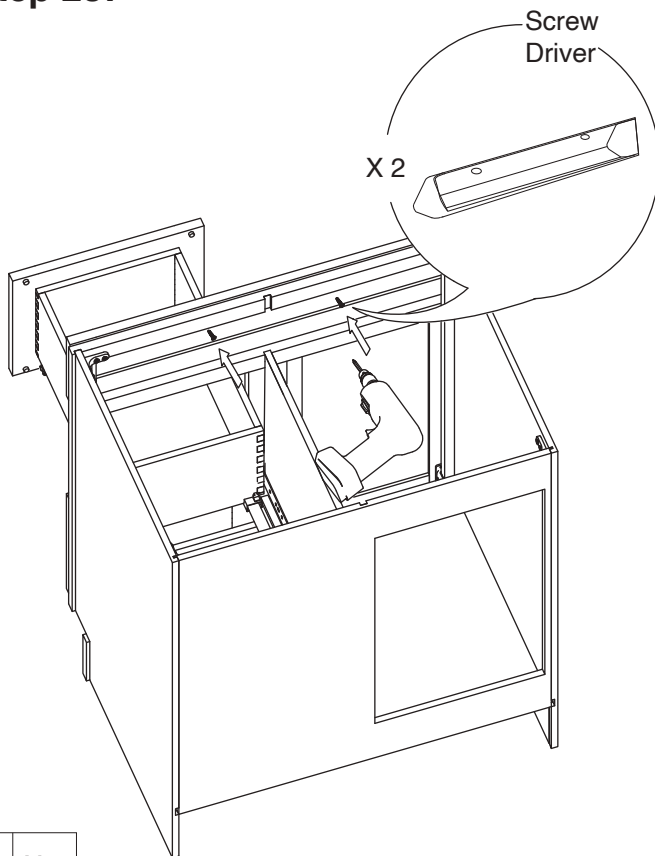
1/2" X 8

* repeat for other drawer

Step 22:



Step 23:



1/2" X 2

Step 24:

