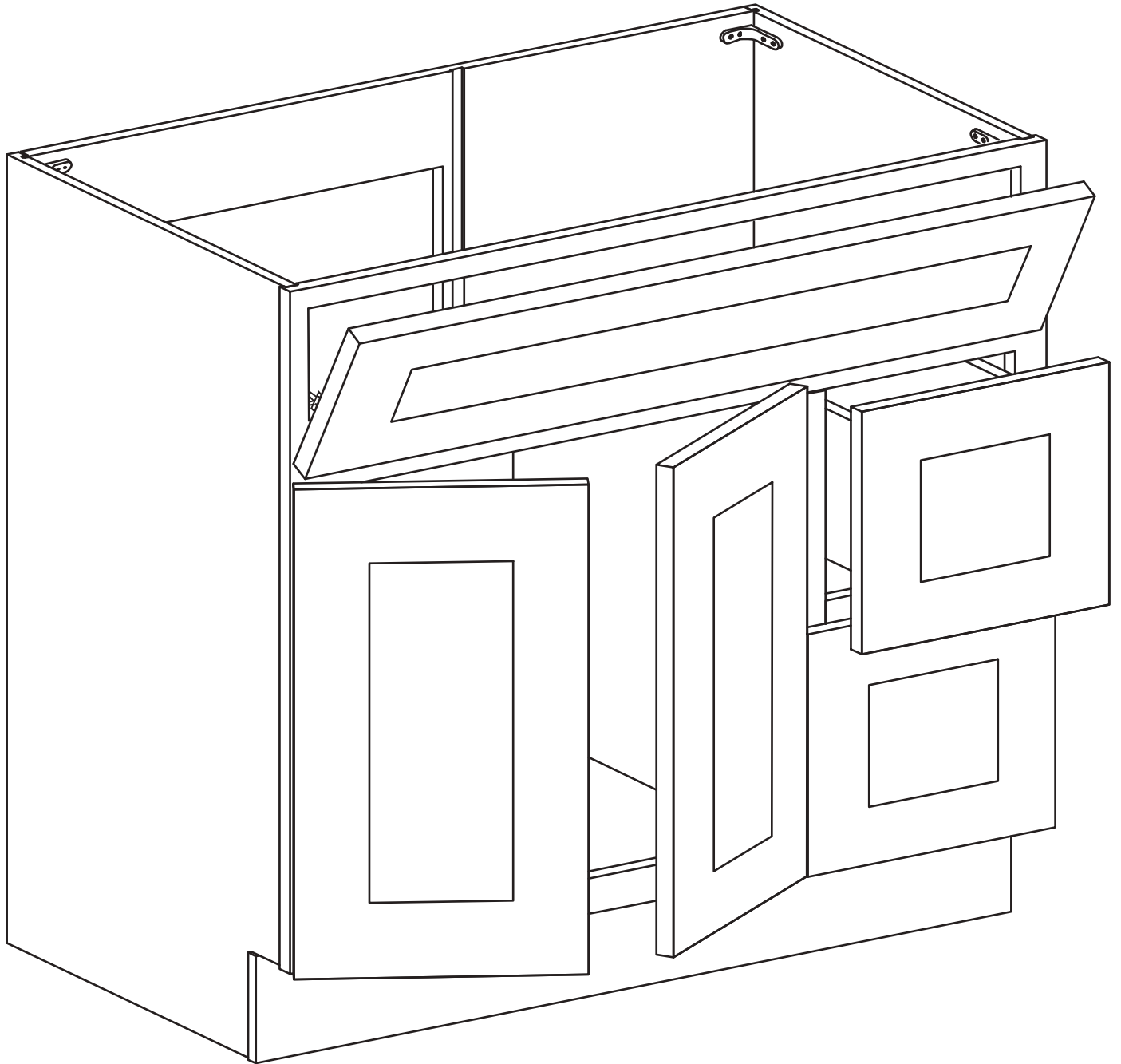


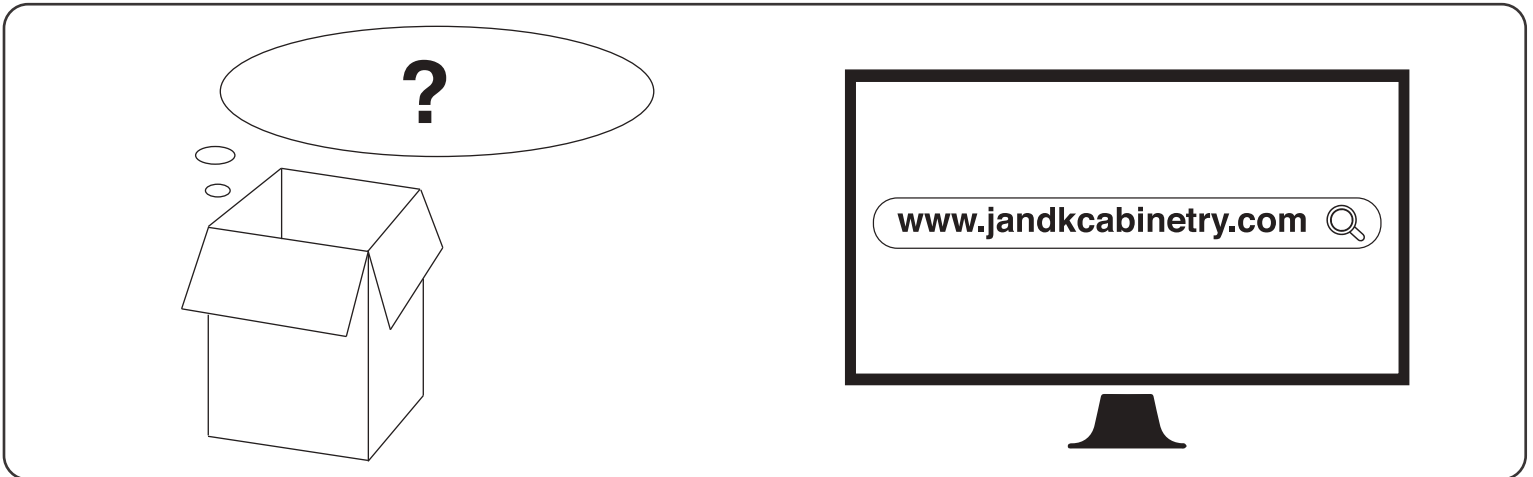
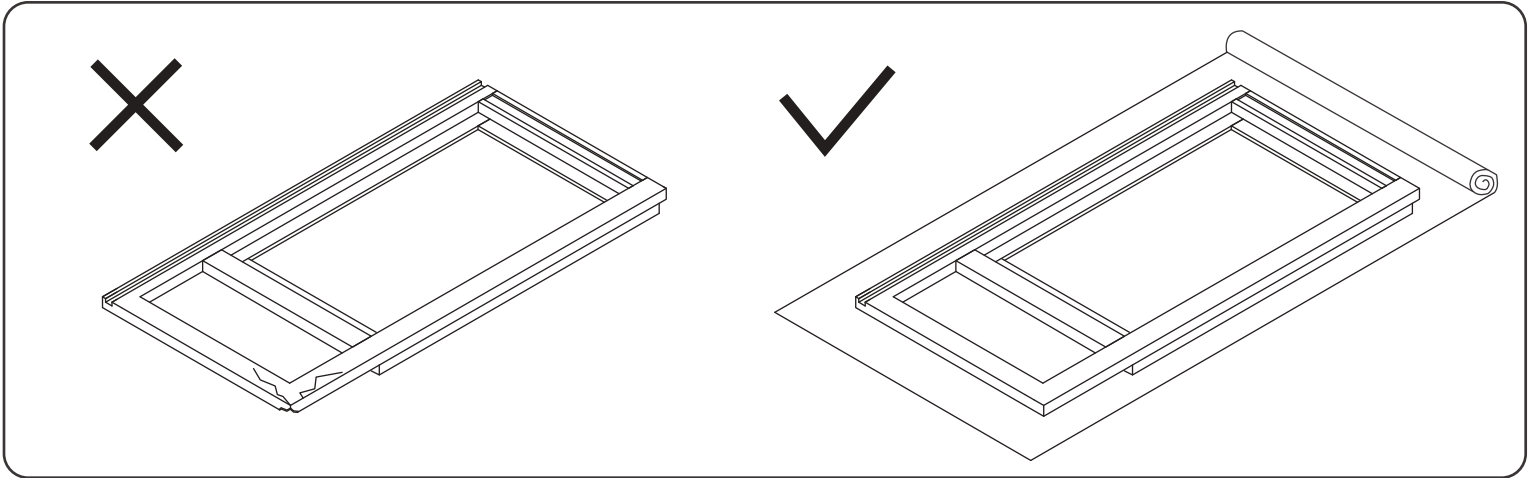
# Assembly Instruction

2020 Edition



## Vanity Sink Cabinet

Item Code:  
FA3621DL/R



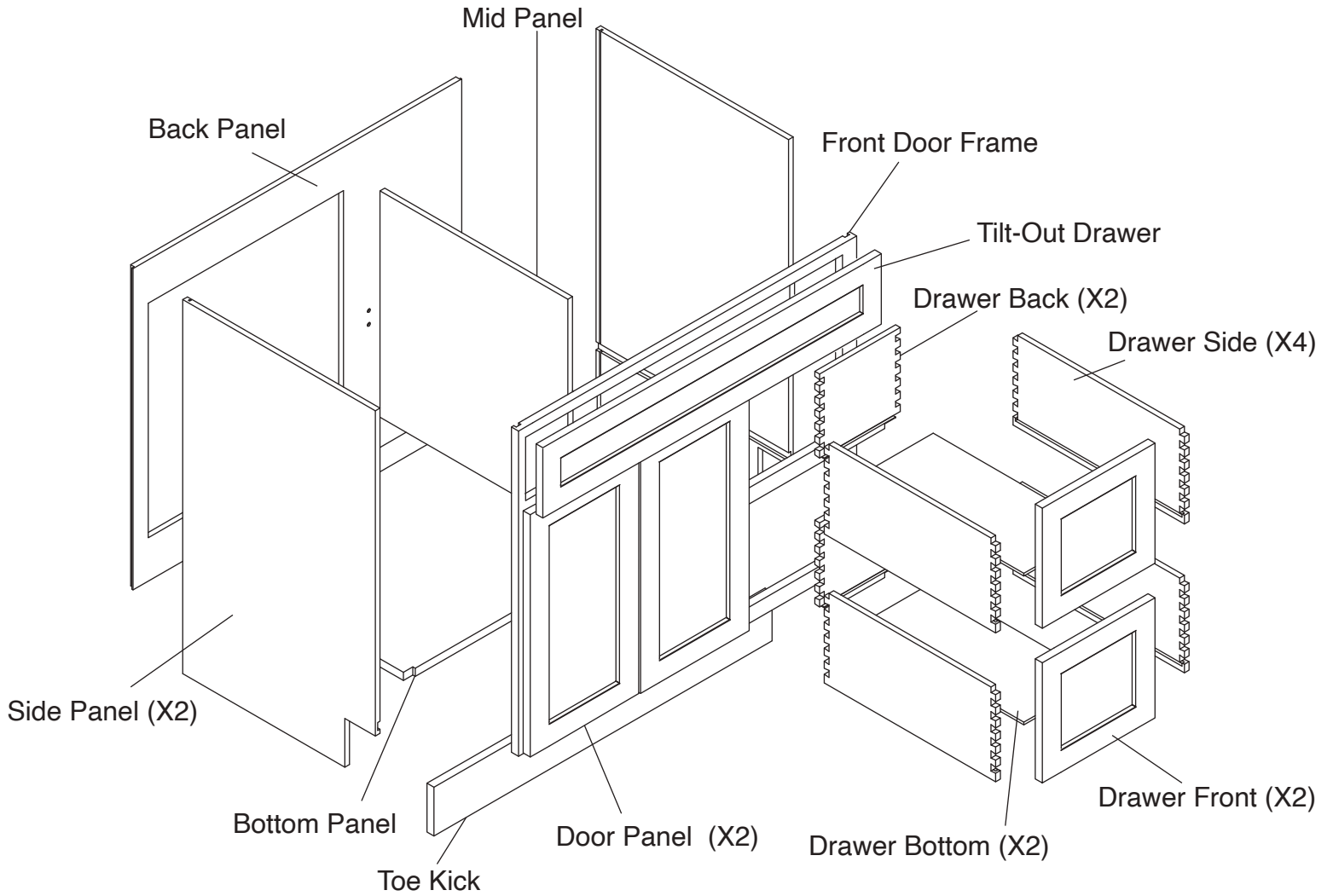
 **WARNING:**

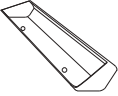





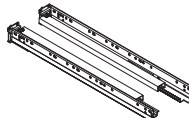
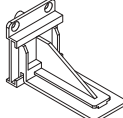
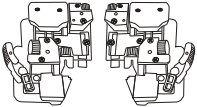
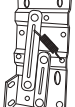
1. Please be careful when opening the box with boxcutter and/or blade.
2. J&K Cabinetry is not responsible for any injuries and/or damages incurred during cabinet assembly.

 **SERVICE:**

During the installation process, if you encounter any problems, please go to our official website: [www.jandkcabinetry.com](http://www.jandkcabinetry.com), check the full version assembly instruction or watch the assembly video online.

# Included Items:



									
Tray X 1	90° Brackets X 4	Screws X 30	Screws X 16	Screws X 4	Door Bumpers X 16	Under Mount Drawer Glide Kits X 2	Glide Supports X 4	Glide Locking Kits X 2	Hinges X 2

## Recommended Tools:



Wood Glue

Screw Driver

Rubber Mallet

Compressor

Nail Gun

Stapler

Senco Fastener

## Safety Tools:

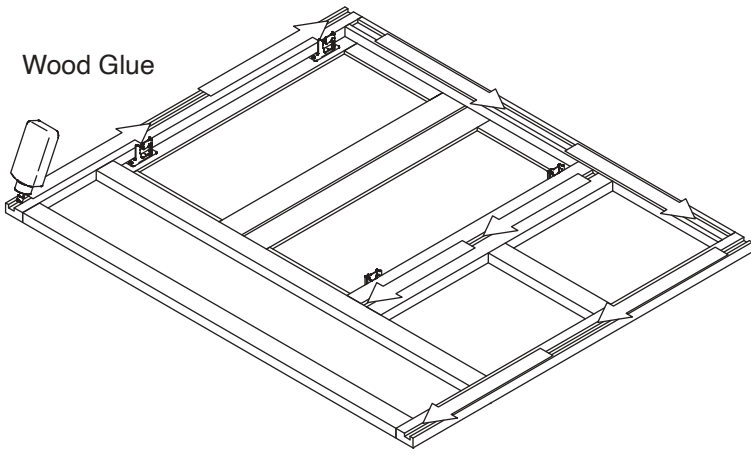


Eye Wear

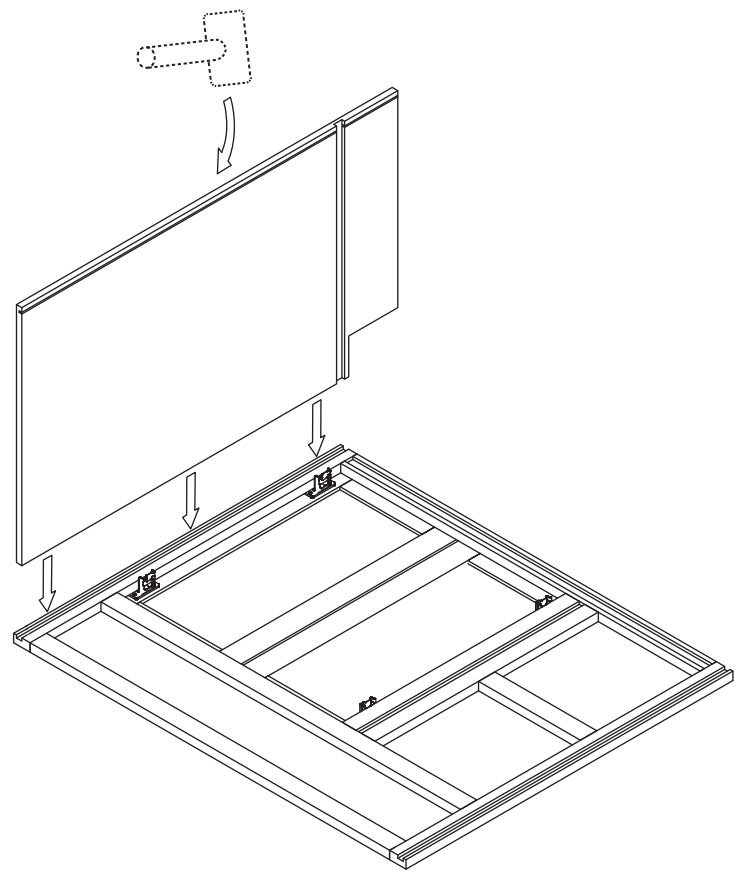


Gloves

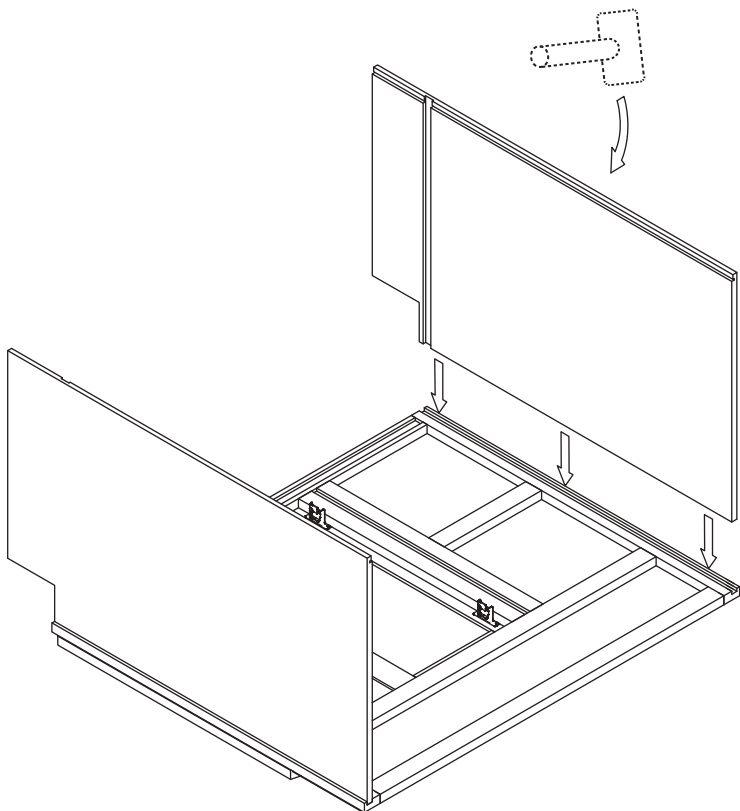
**Step 1:**



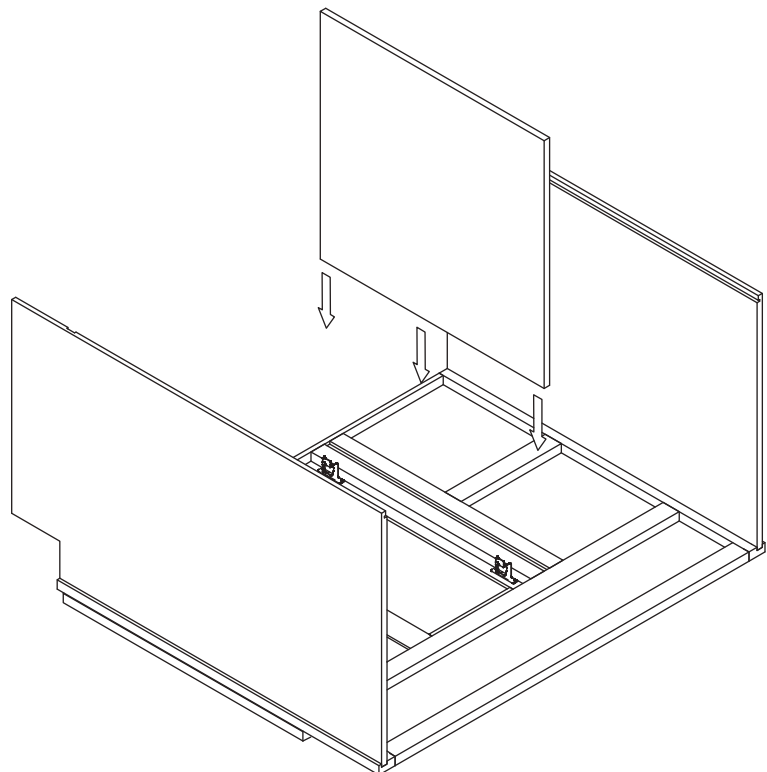
**Step 2:**



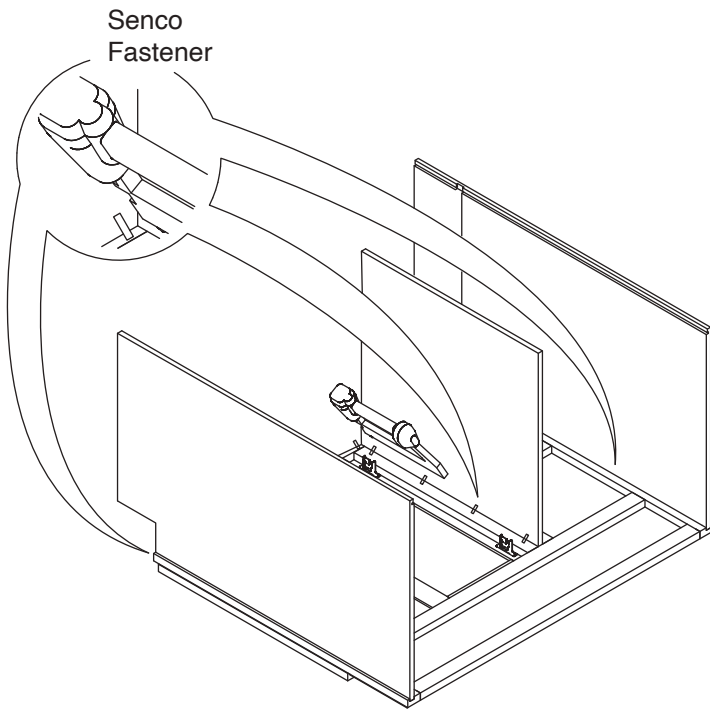
**Step 3:**



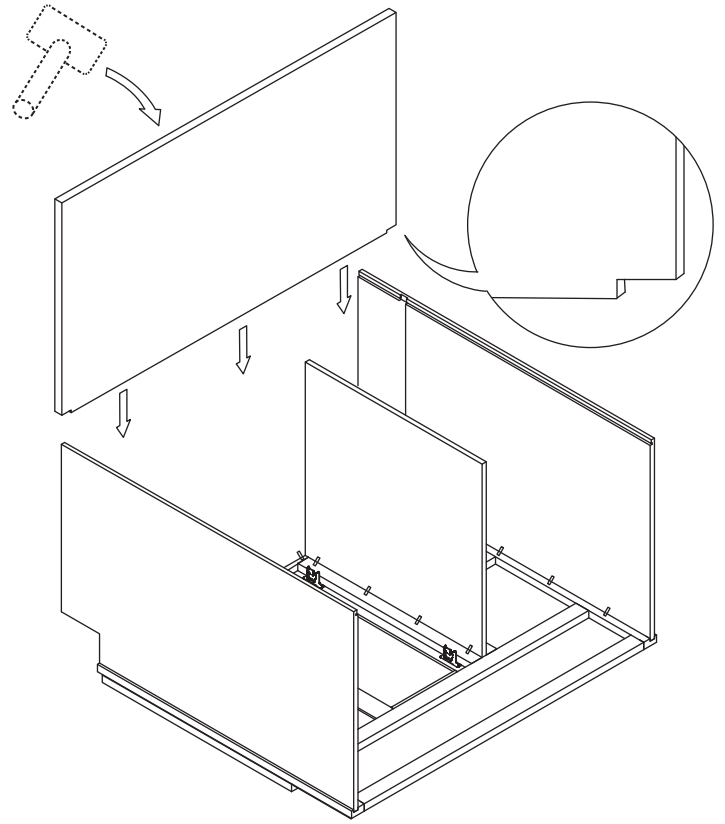
**Step 4:**



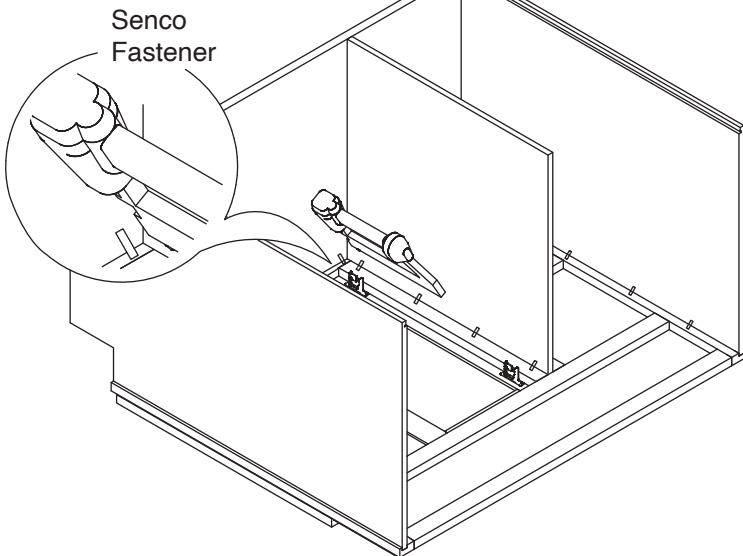
### Step 5:



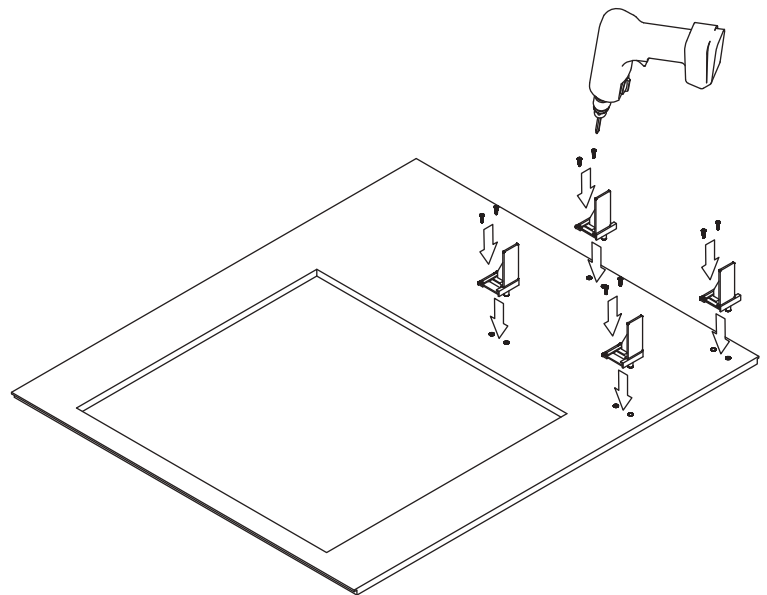
### Step 6:



### Step 7:

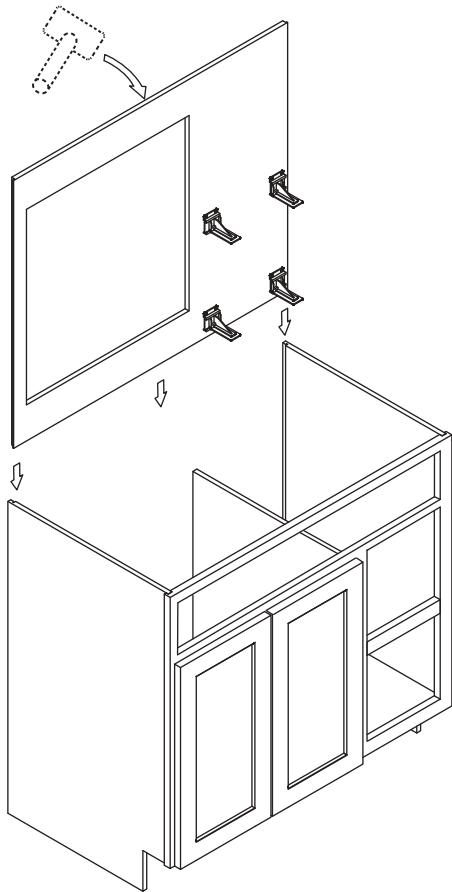


### Step 8:

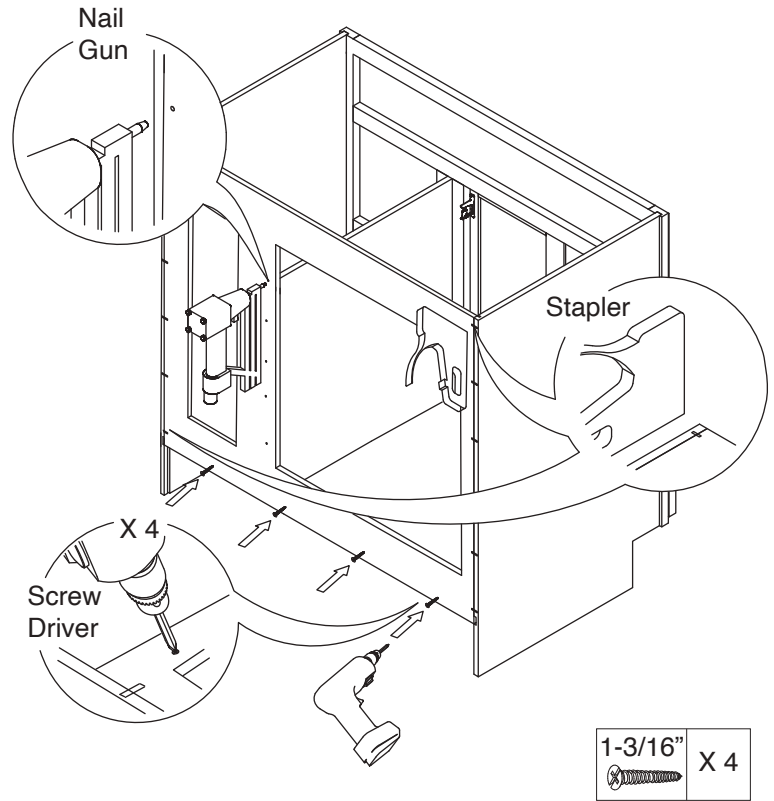


1/2"	X 8
------	-----

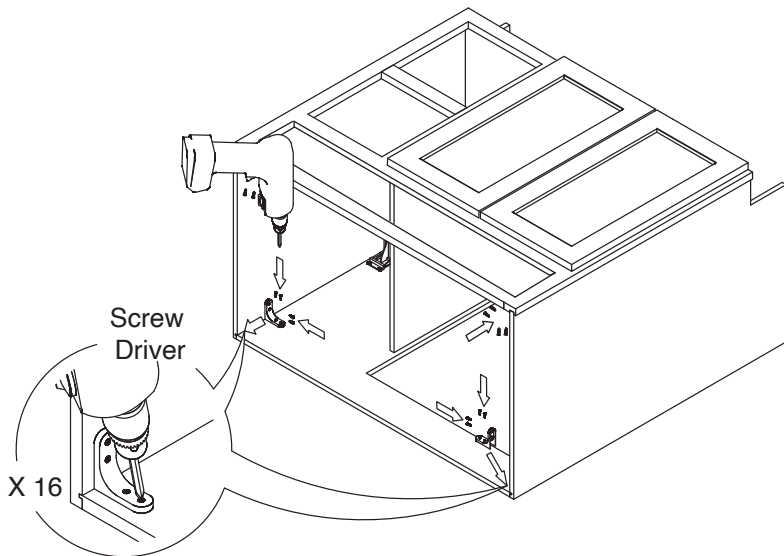
### Step 9:



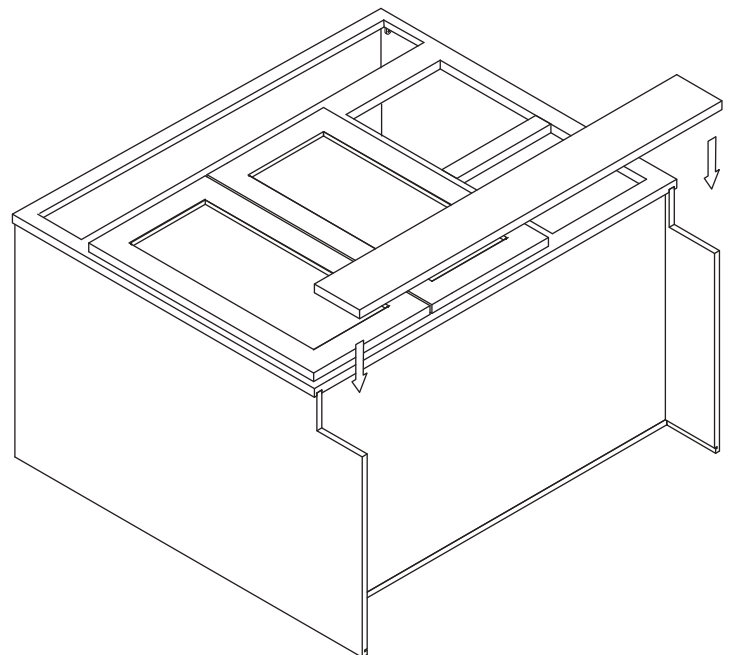
### Step 10:



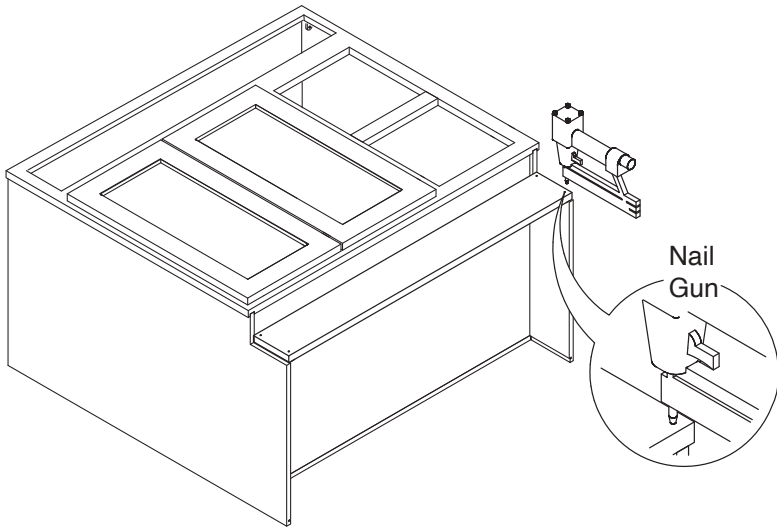
### Step 11:



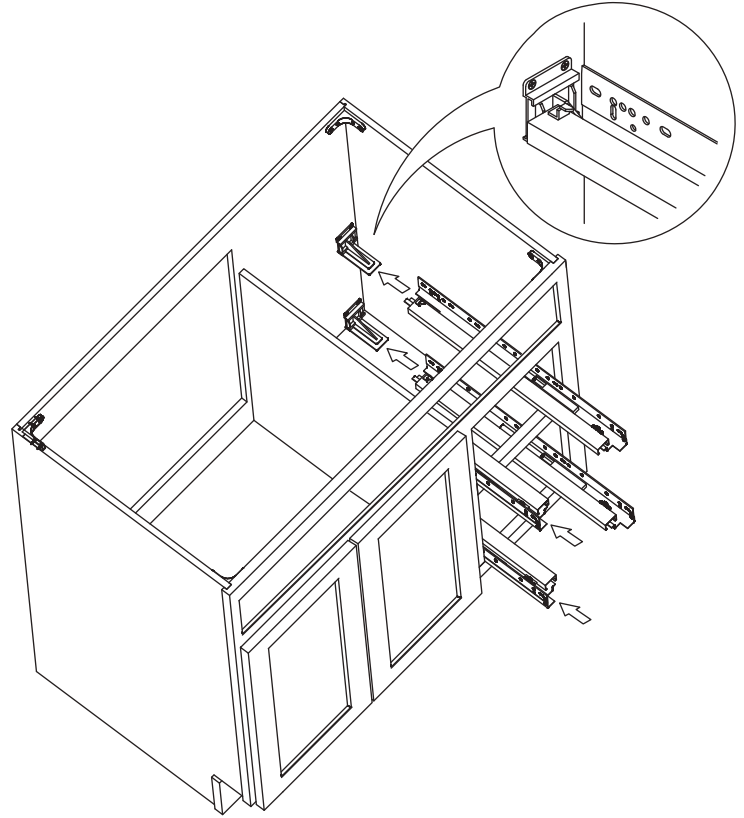
### Step 12:



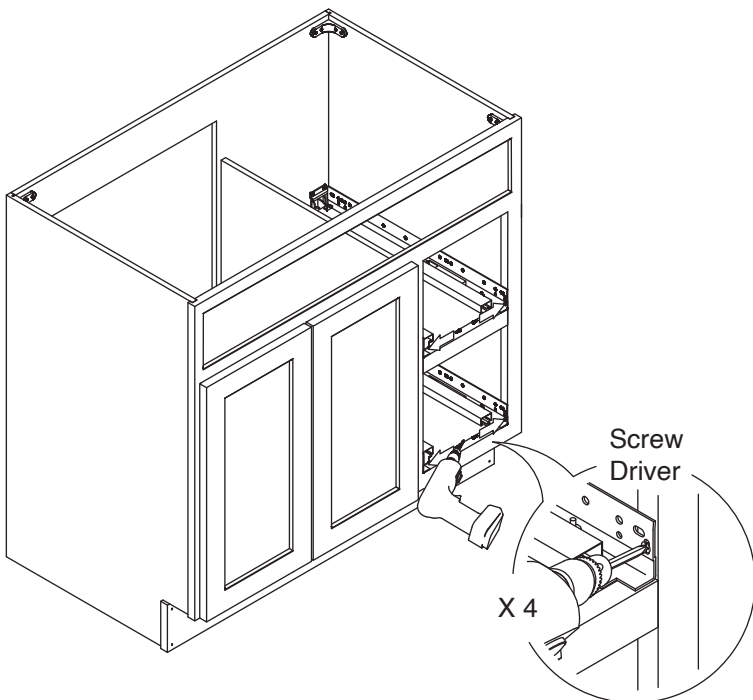
**Step 13:**



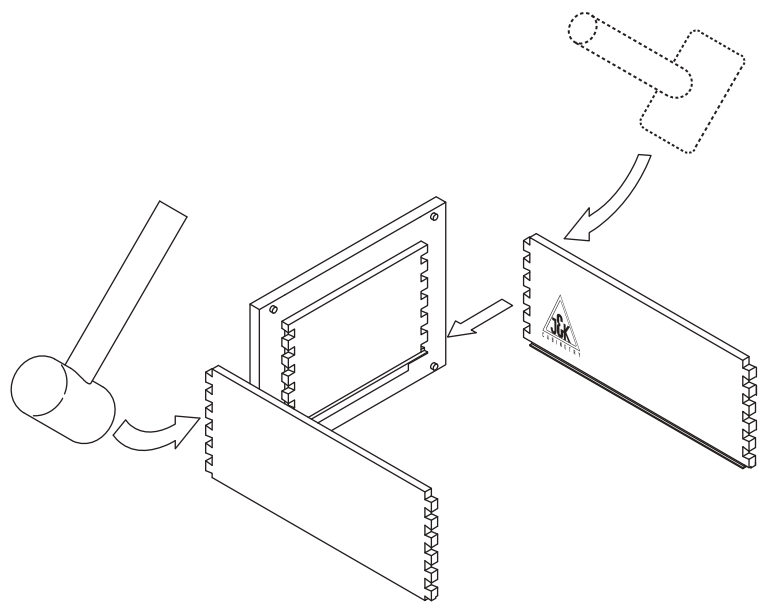
**Step 14:**




**Step 15:**



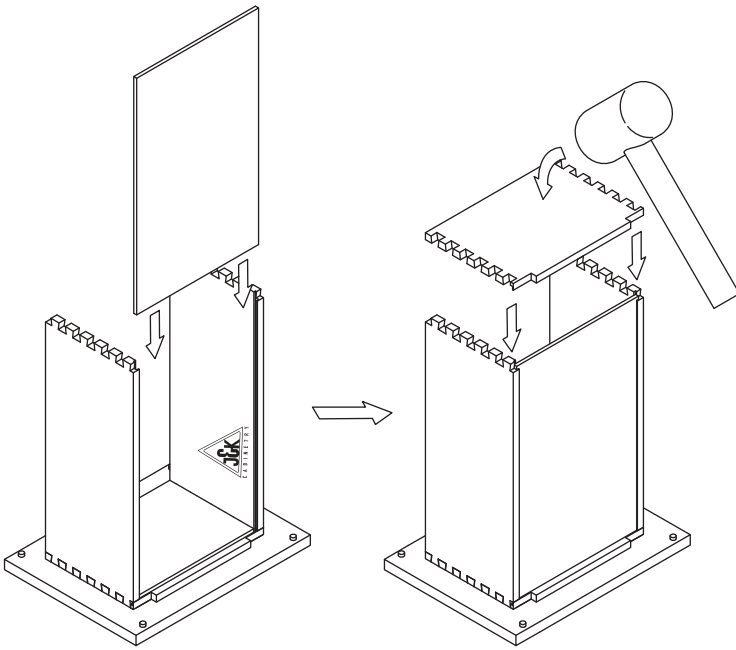
**Step 16:**



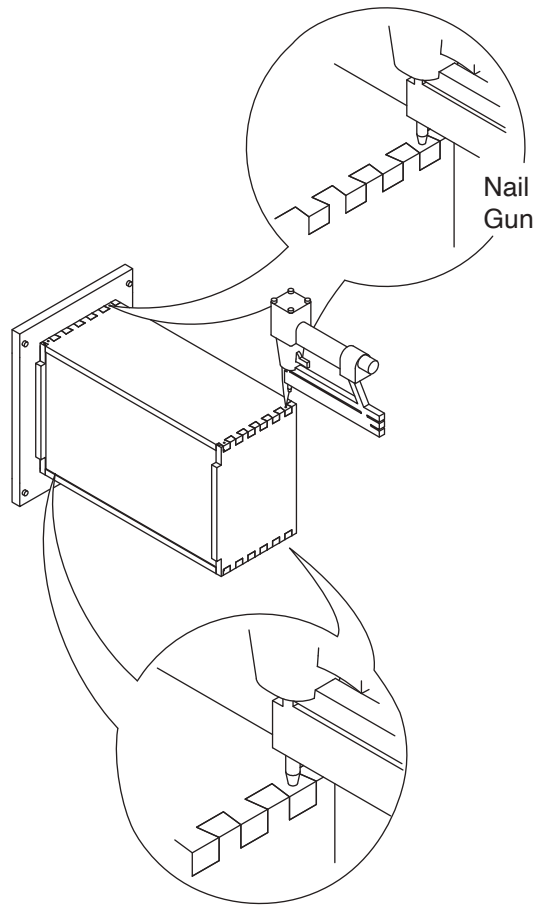
1/2" X 4



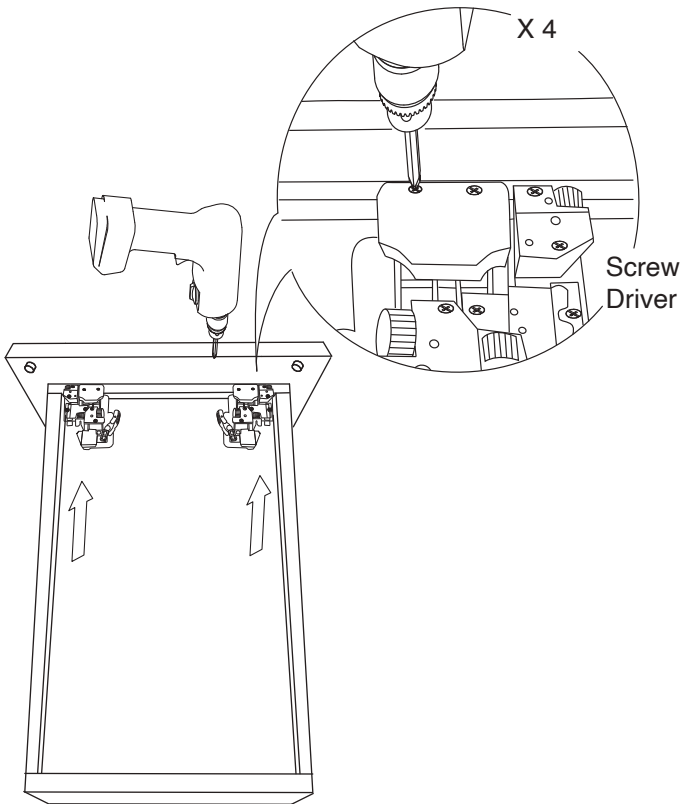
### Step 17:



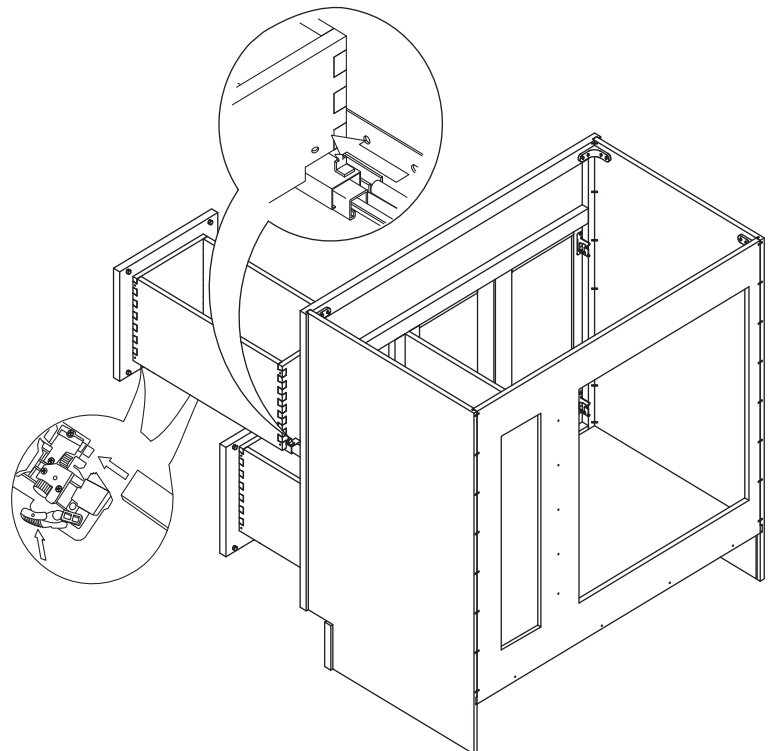
### Step 18:



### Step 19:



### Step 20:

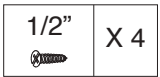
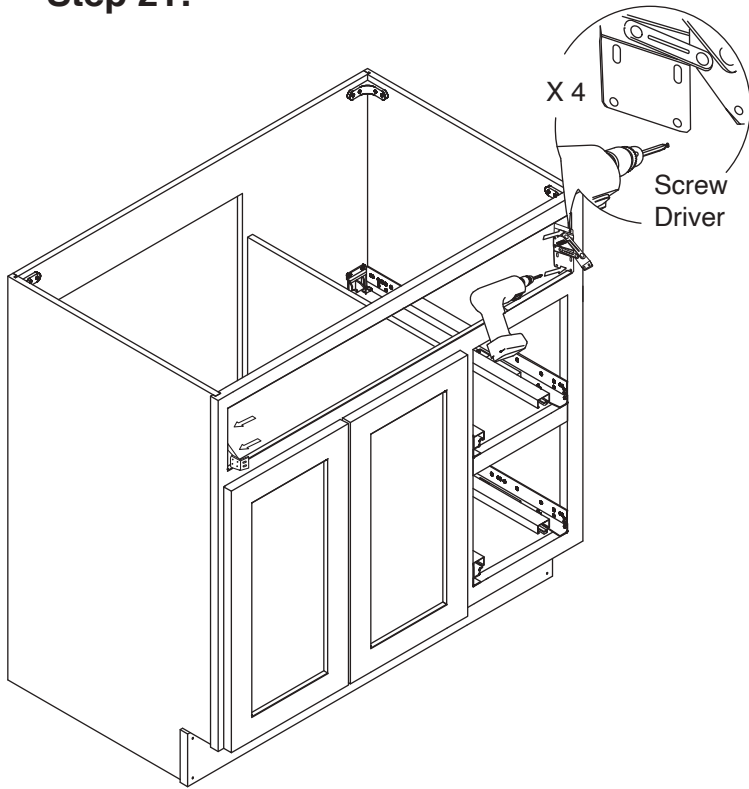


1/2" X 8

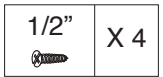
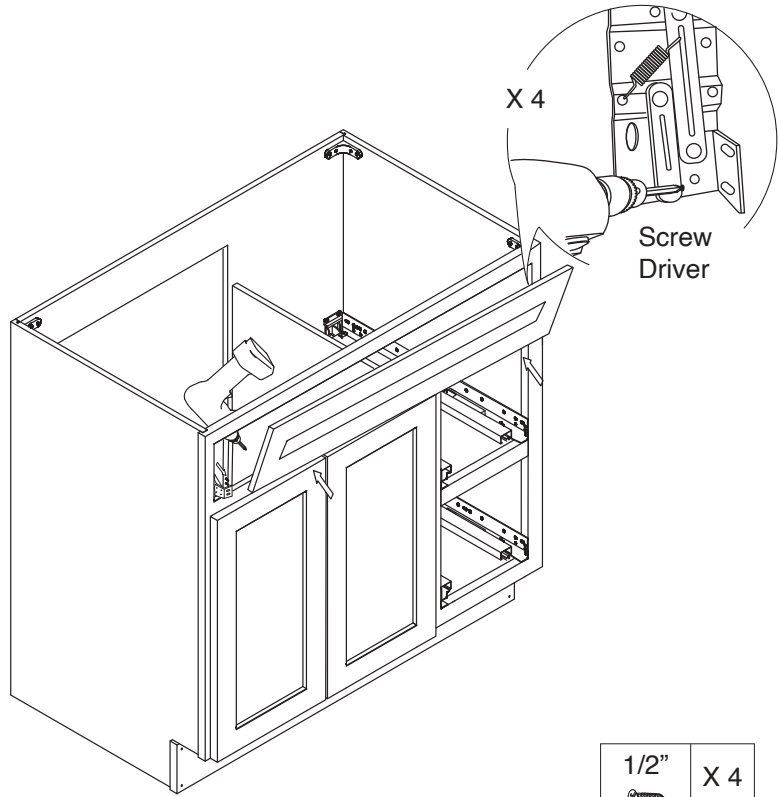
\* repeat for other drawer



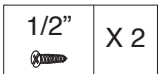
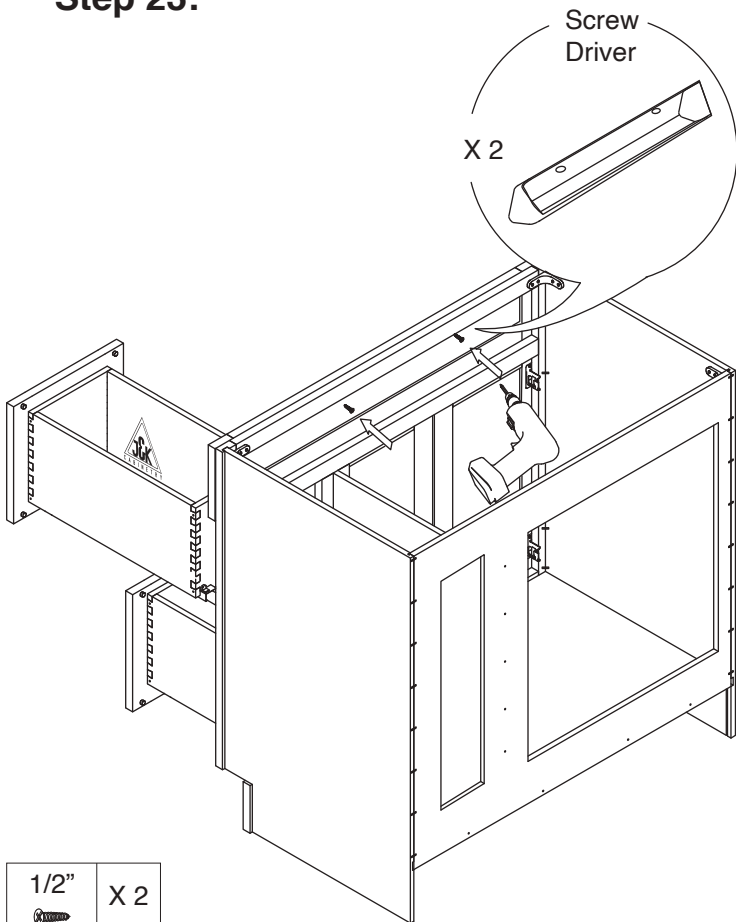
### Step 21:



### Step 22:



### Step 23:



### Step 24:

