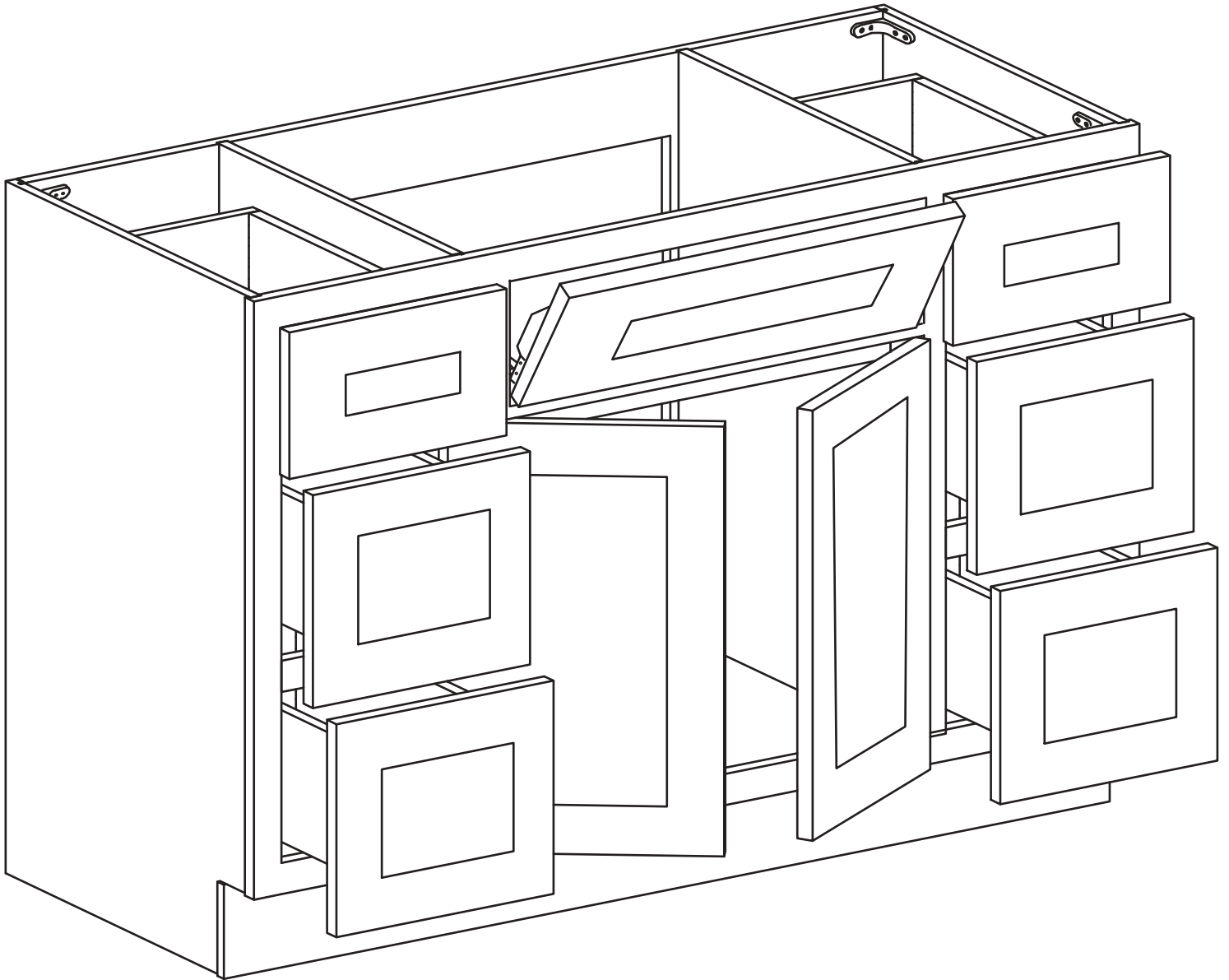


Assembly Instruction

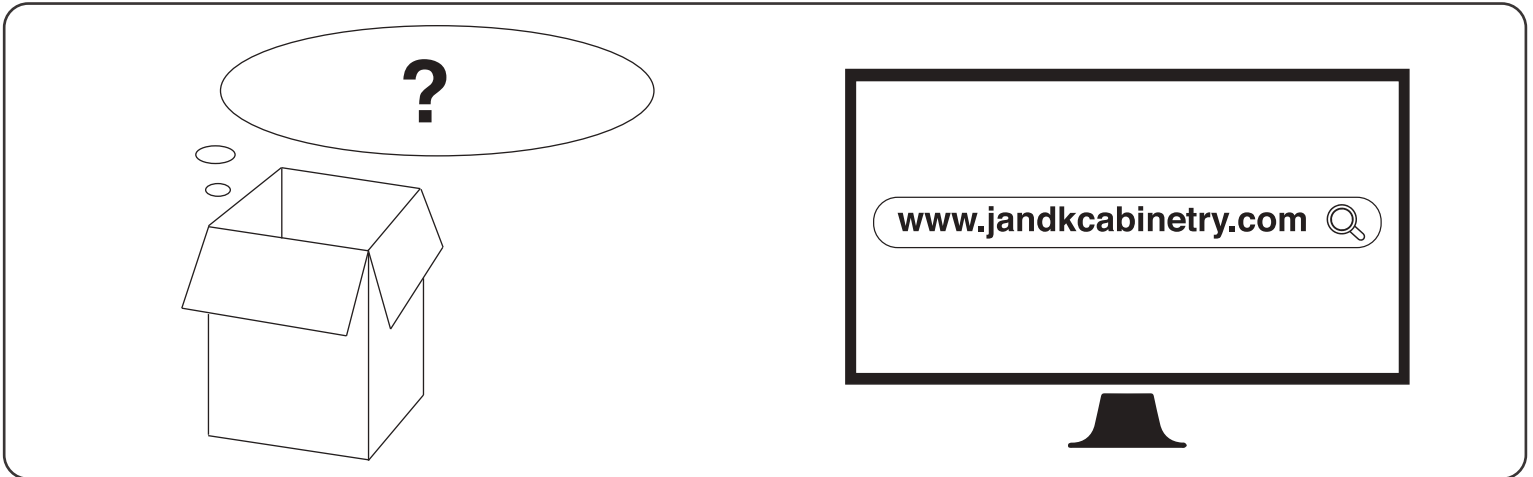
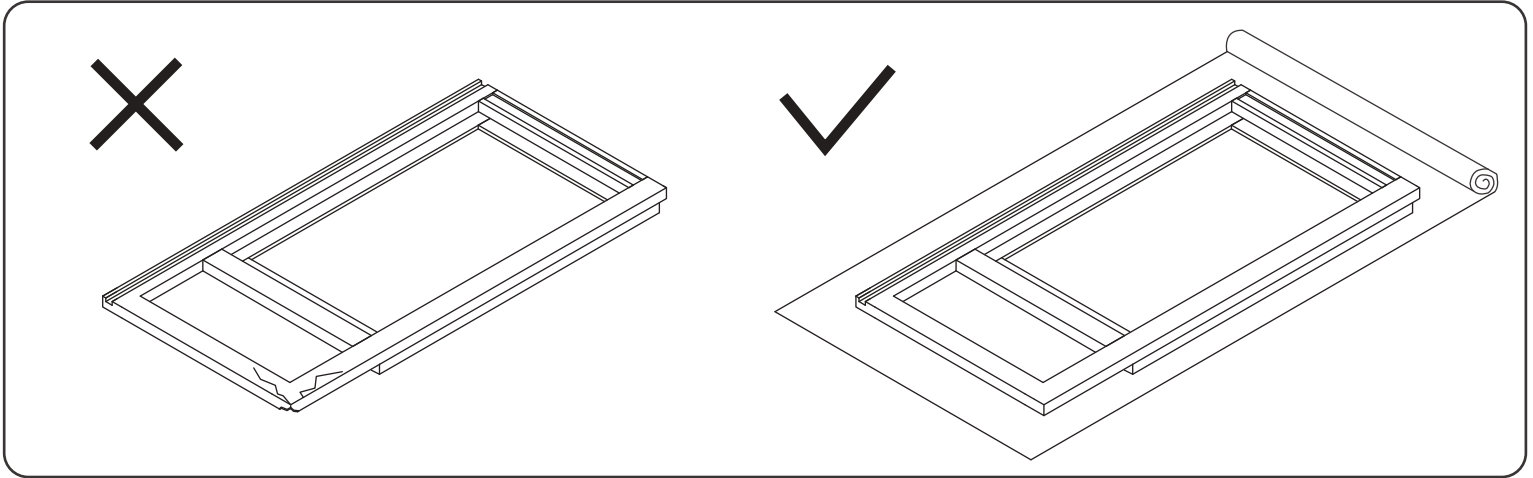
2020 Edition



Vanity Single-Sink Combo

Item Code:

FA4821D, FA6021D



WARNING:

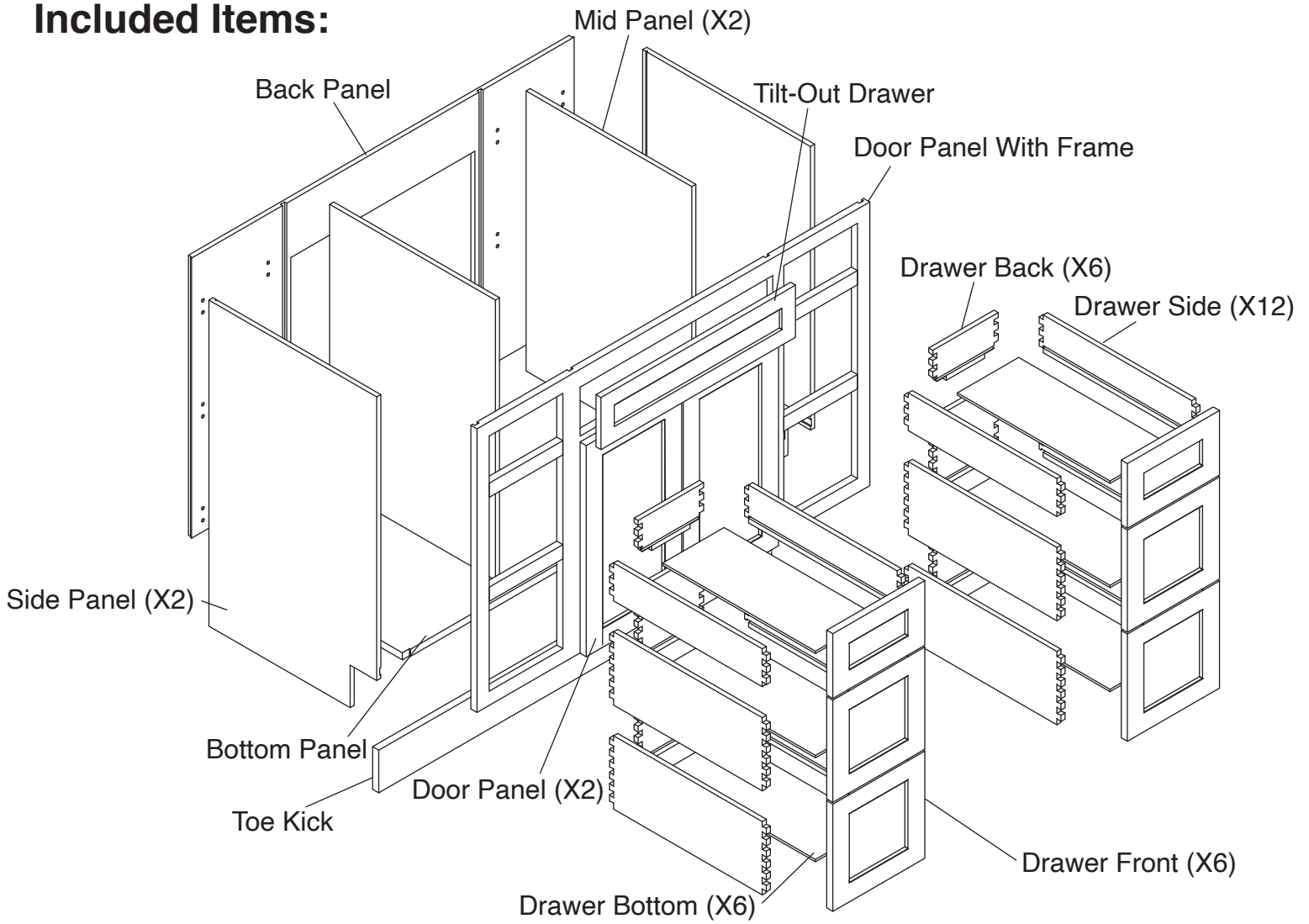
1. Please be careful when opening the box with boxcutter and/or blade.
2. J&K Cabinetry is not responsible for any injuries and/or damages incurred during cabinet assembly.

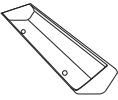
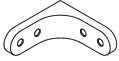




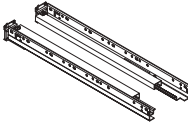
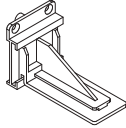
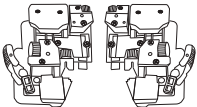



SERVICE:

During the installation process, if you encounter any problems, please go to our official website: www.jandkcabinetry.com, check the full version assembly instruction or watch the assembly video online.

Included Items:



| | | | | | | | | | |
|------------------------------------------------------------------------------------|-------------------------------------------------------------------------------------|-------------------------------------------------------------------------------------|-------------------------------------------------------------------------------------|-------------------------------------------------------------------------------------|-------------------------------------------------------------------------------------|--------------------------------------------------------------------------------------|---------------------------------------------------------------------------------------|---------------------------------------------------------------------------------------|---------------------------------------------------------------------------------------|
|  |  |  |  |  |  |  |  |  |  |
| Tray X 1 | 90° Brackets X 4 | Screws X 70 | Screws X 16 | Screws X 10 | Door Bumpers X 32 | Under Mount Drawer Glide Kits X 6 | Glide Supports X 12 | Glide Locking Kits X 6 | Hinges X 2 |

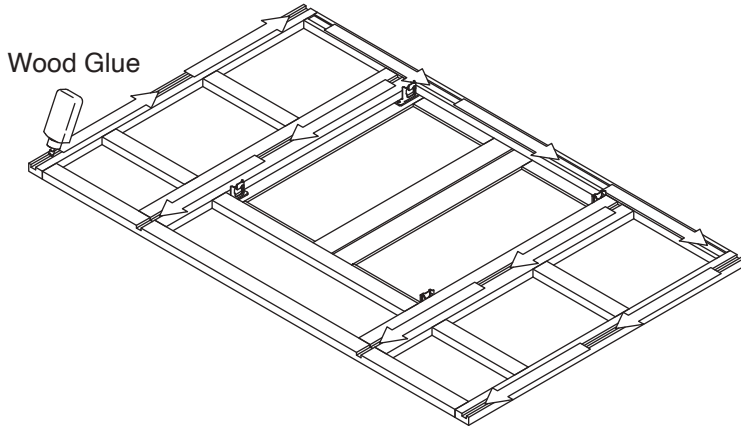
Recommended Tools:



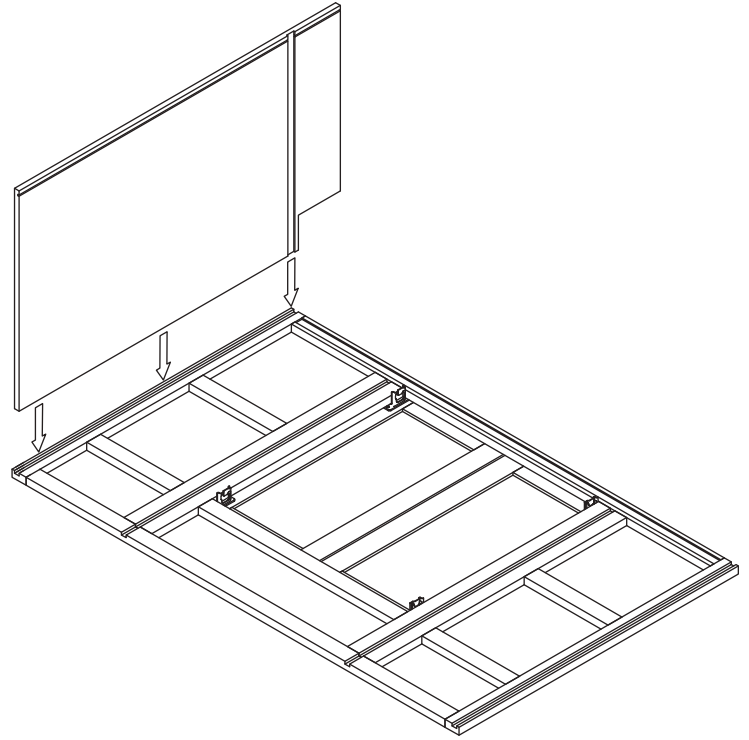
Safety Tools:



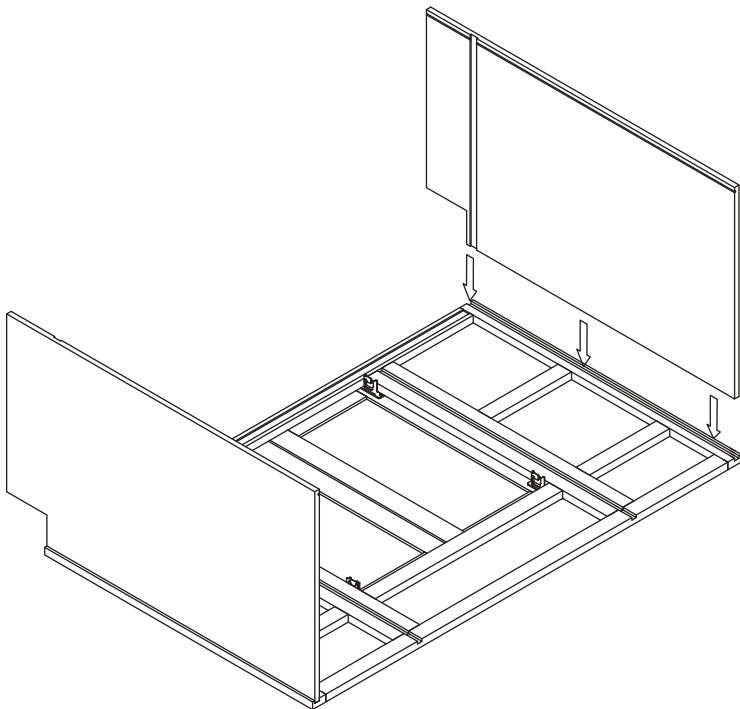
Step 1:



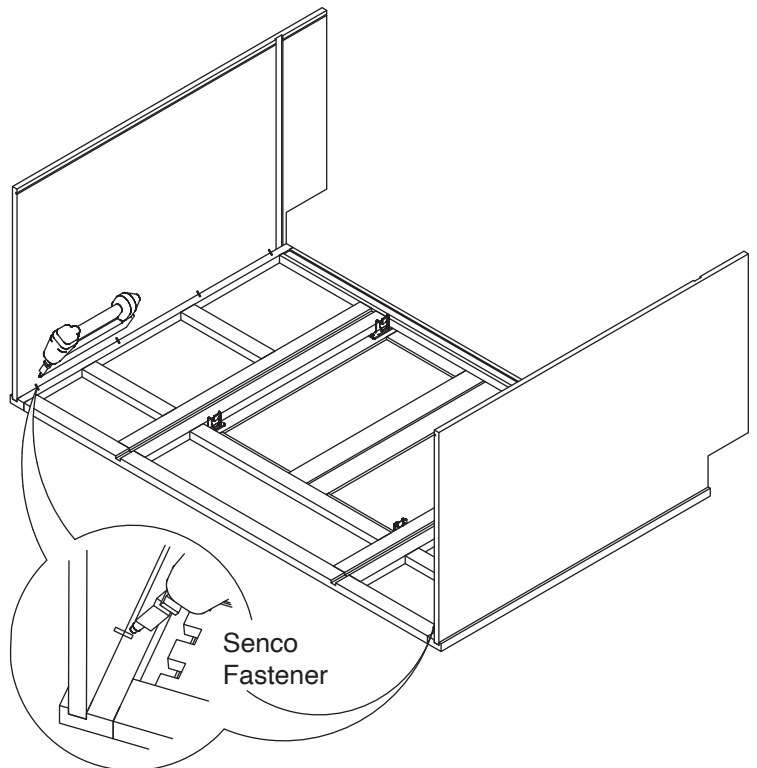
Step 2:



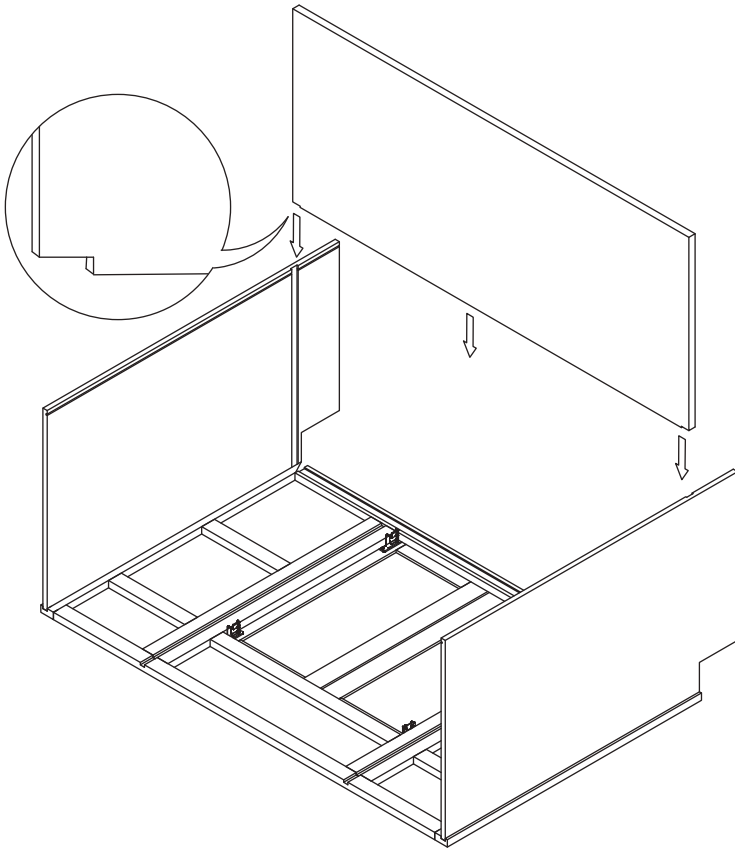
Step 3:



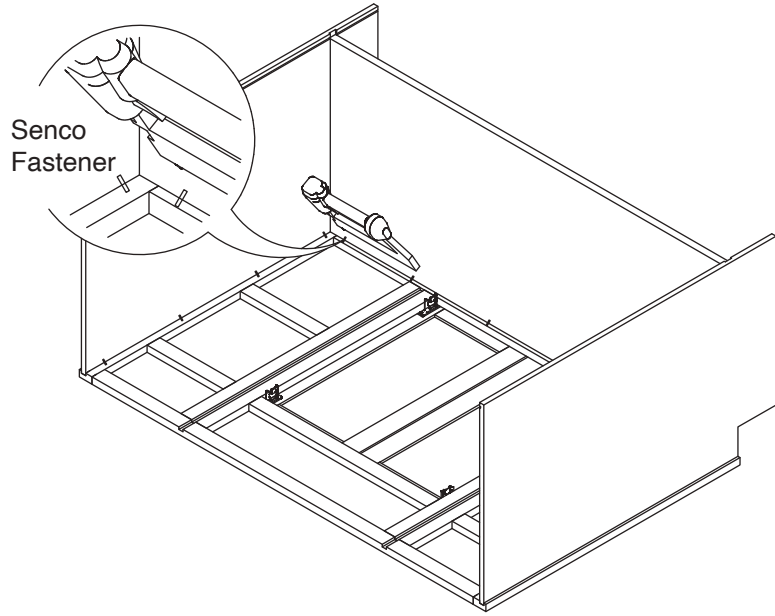
Step 4:



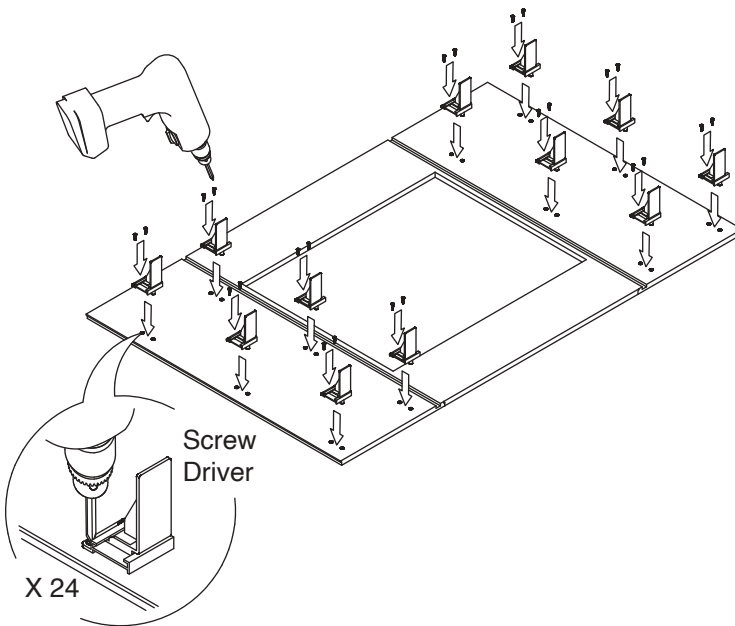
Step 5:



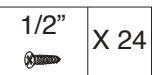
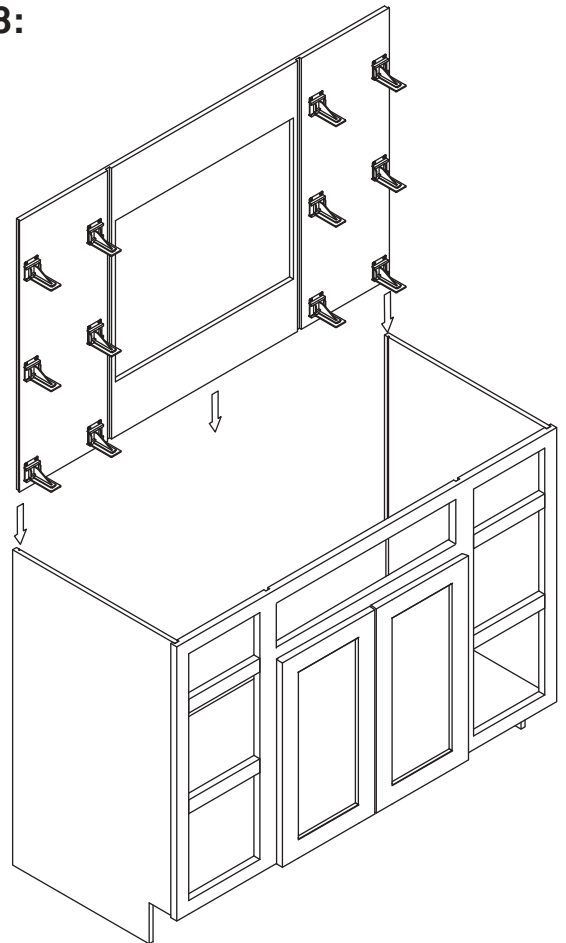
Step 6:



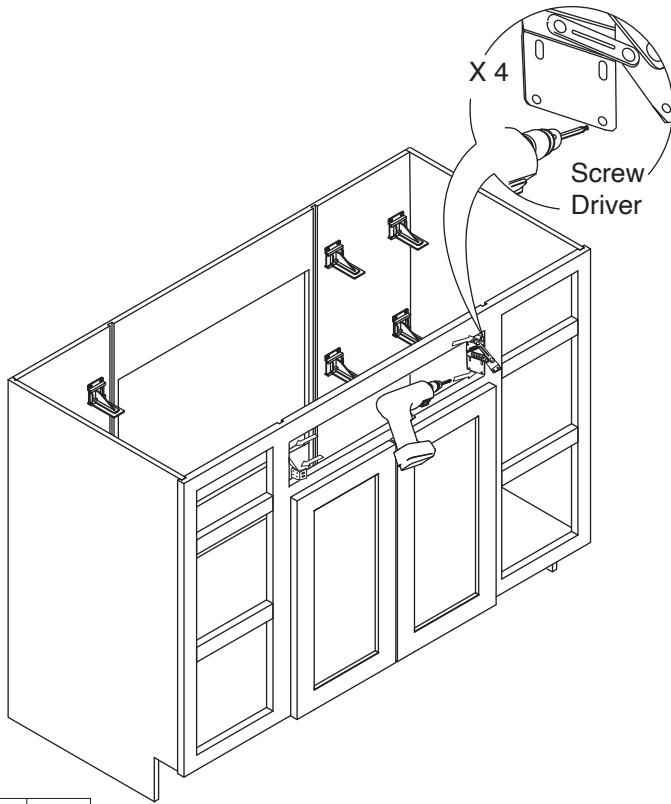
Step 7:



Step 8:

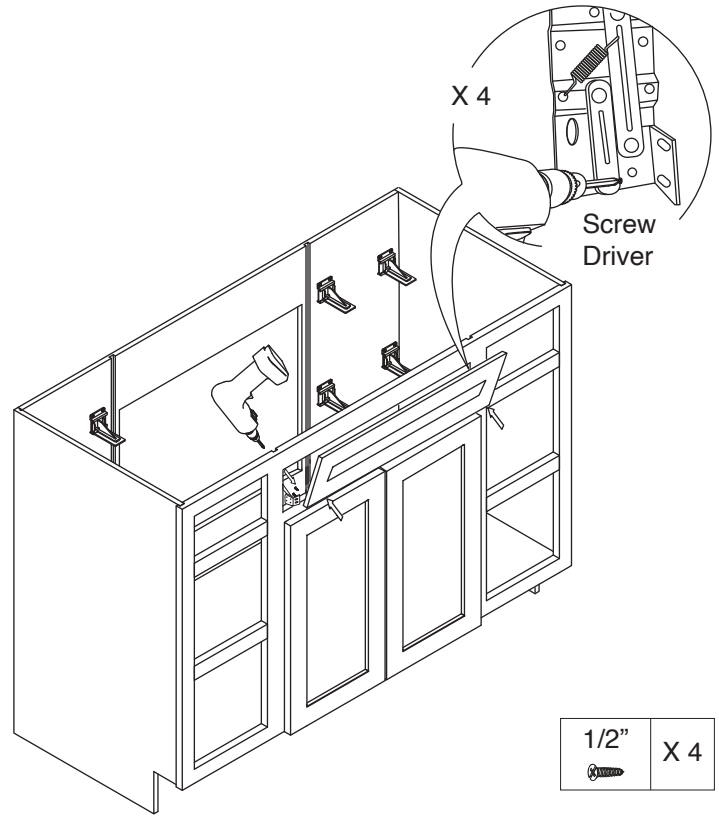


Step 9:



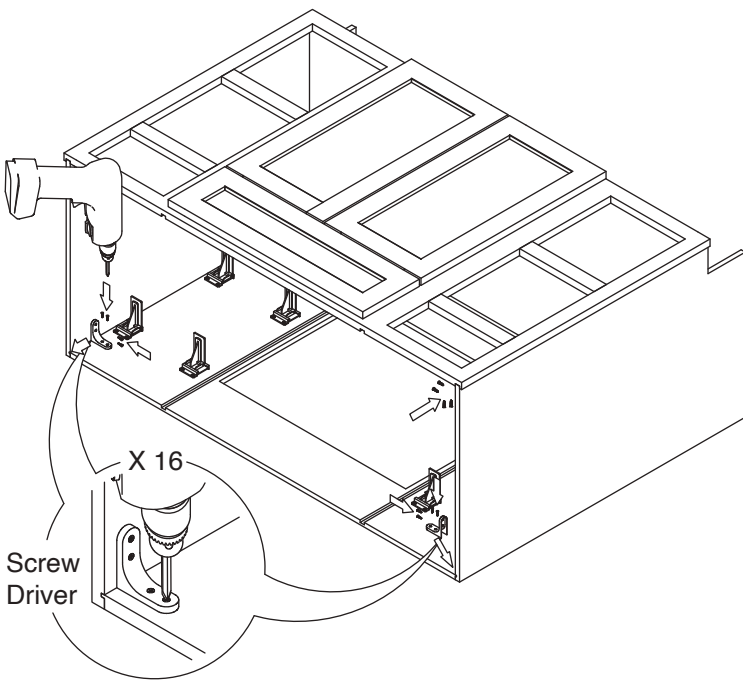
1/2" X 4

Step 10:



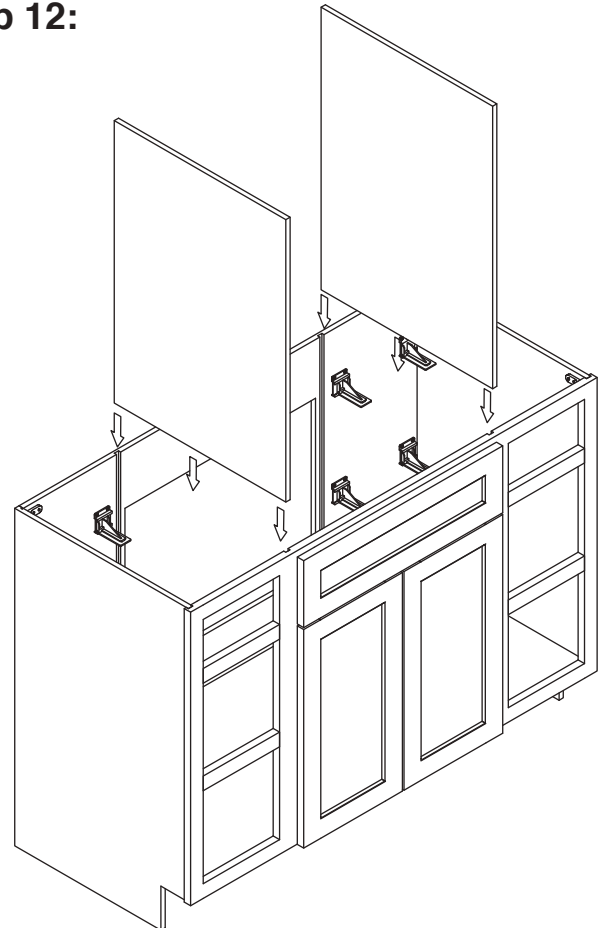
1/2" X 4

Step 11:

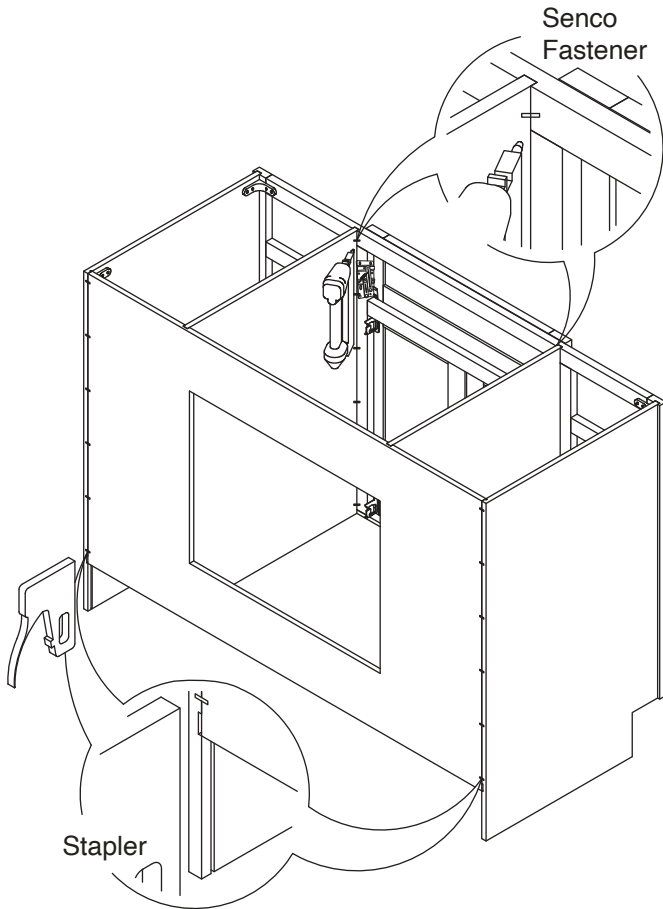


19/32" X 16

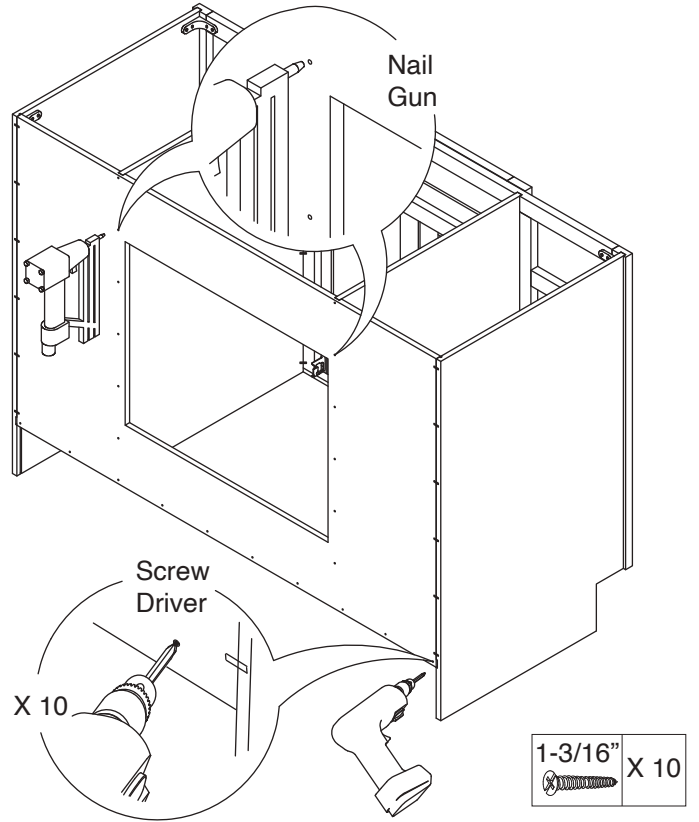
Step 12:



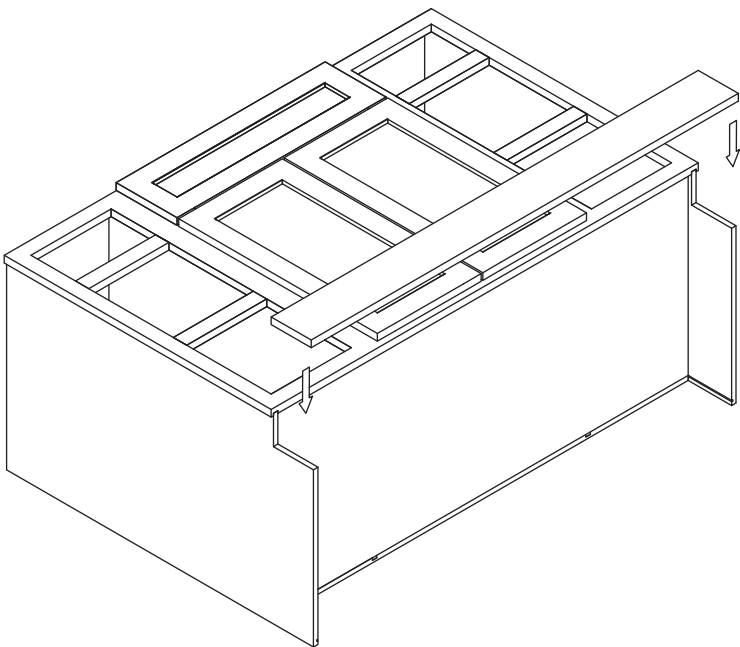
Step 13:



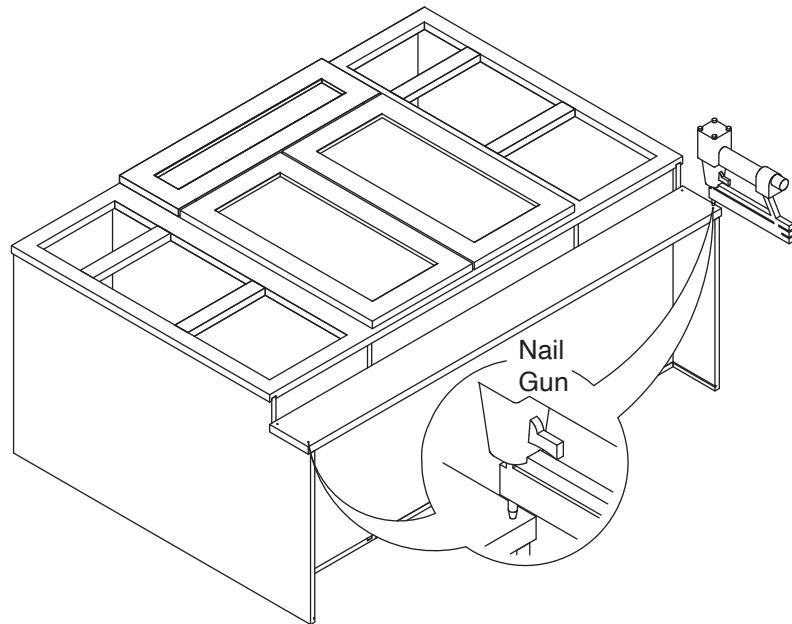
Step 14:



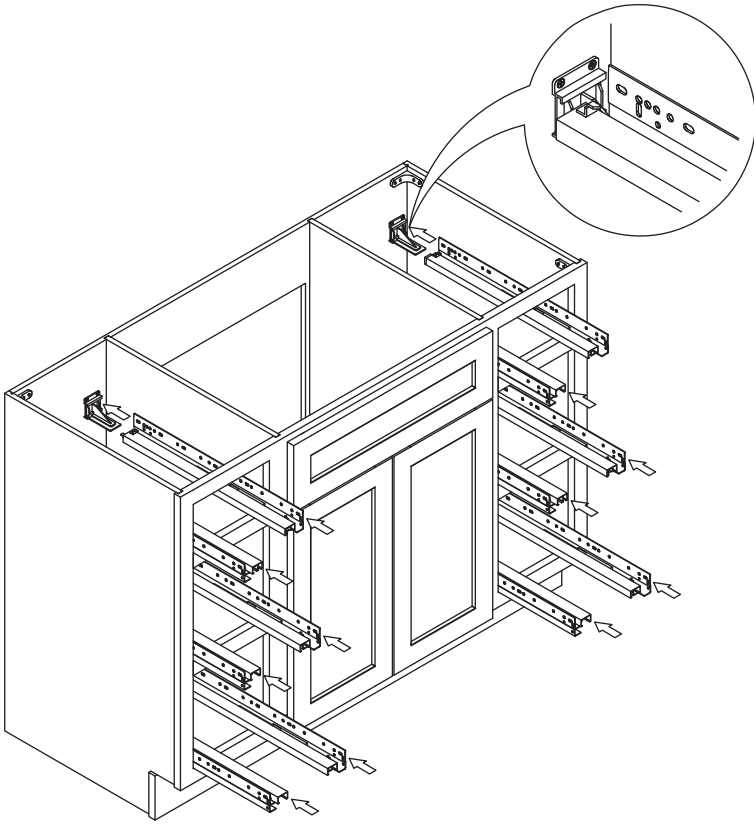
Step 15:



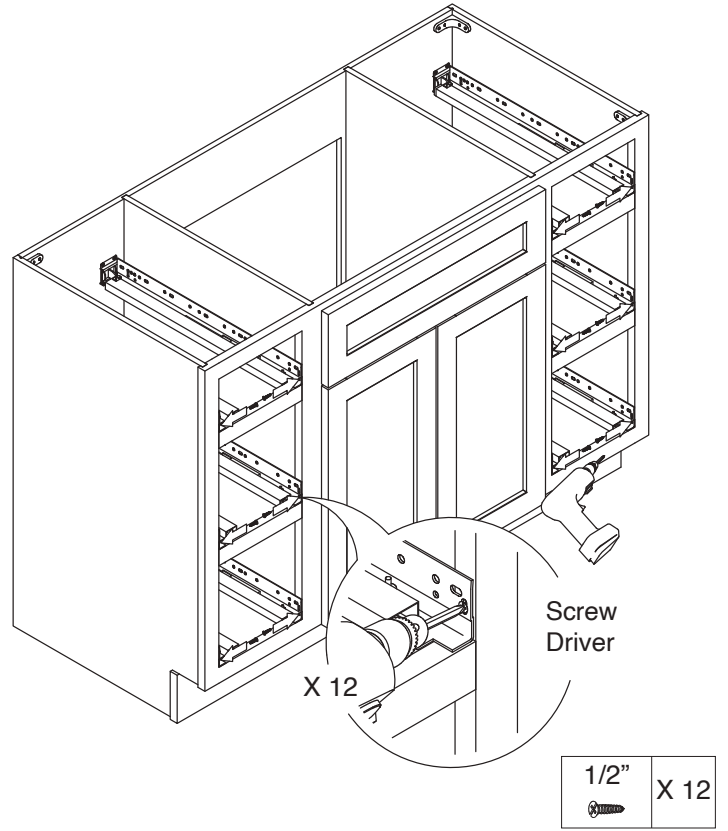
Step 16:



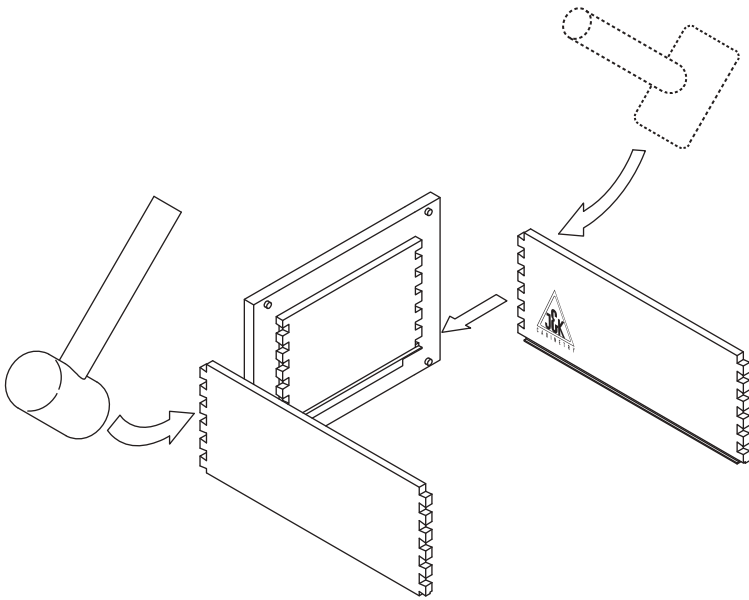
Step 17:



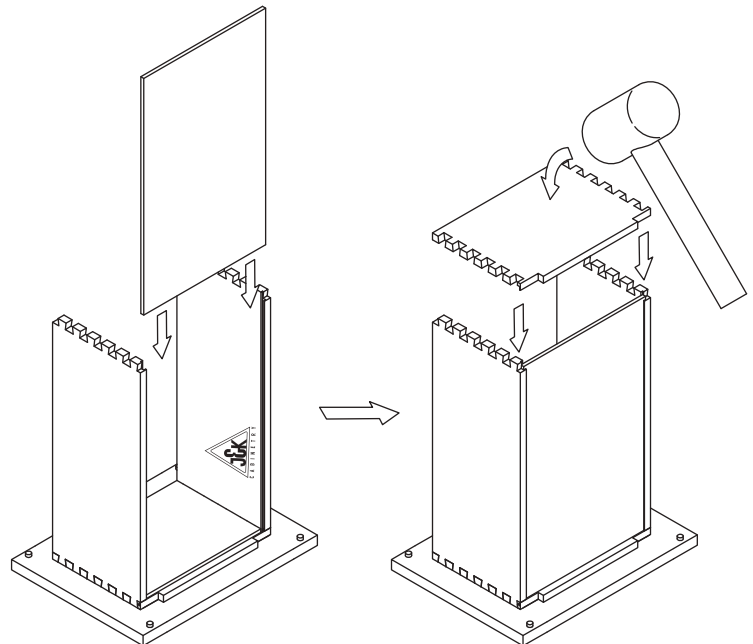
Step 18:



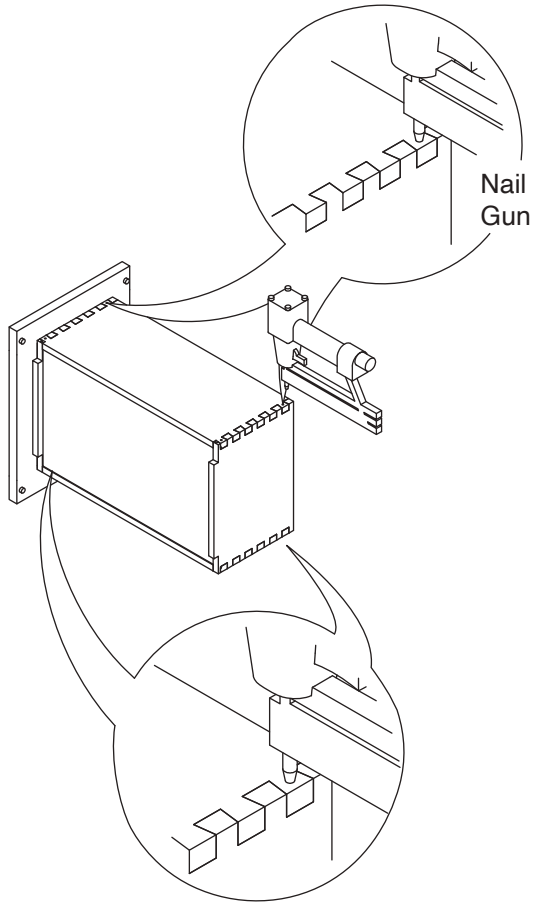
Step 19:



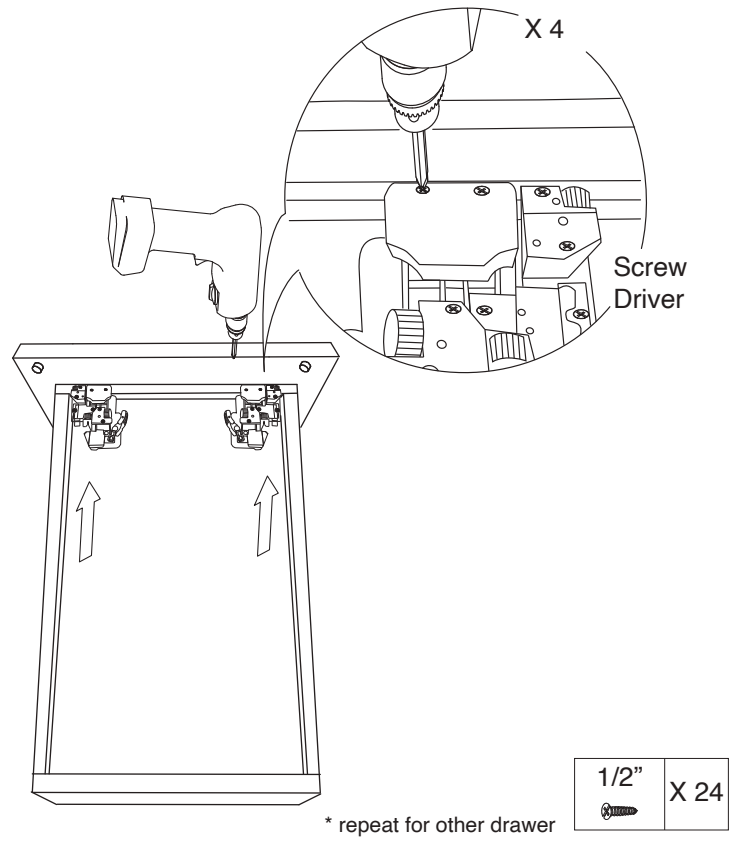
Step 20:



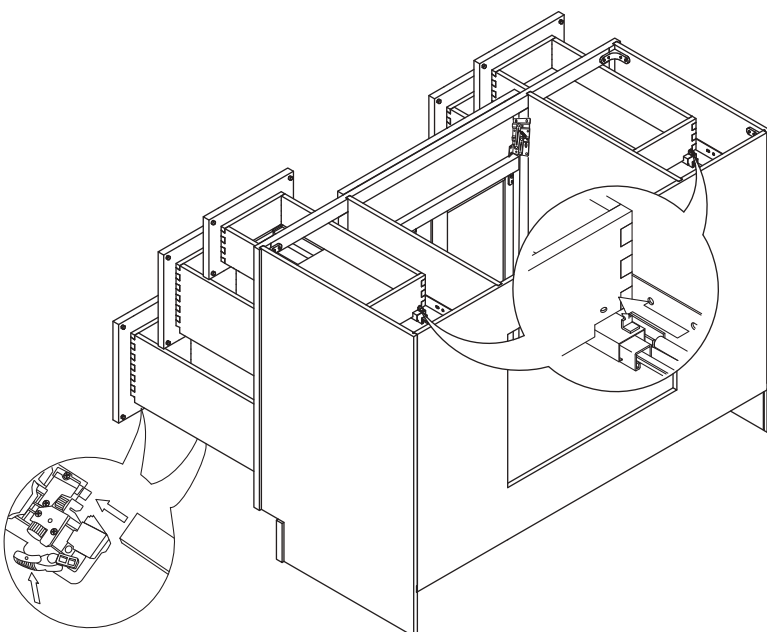
Step 21:



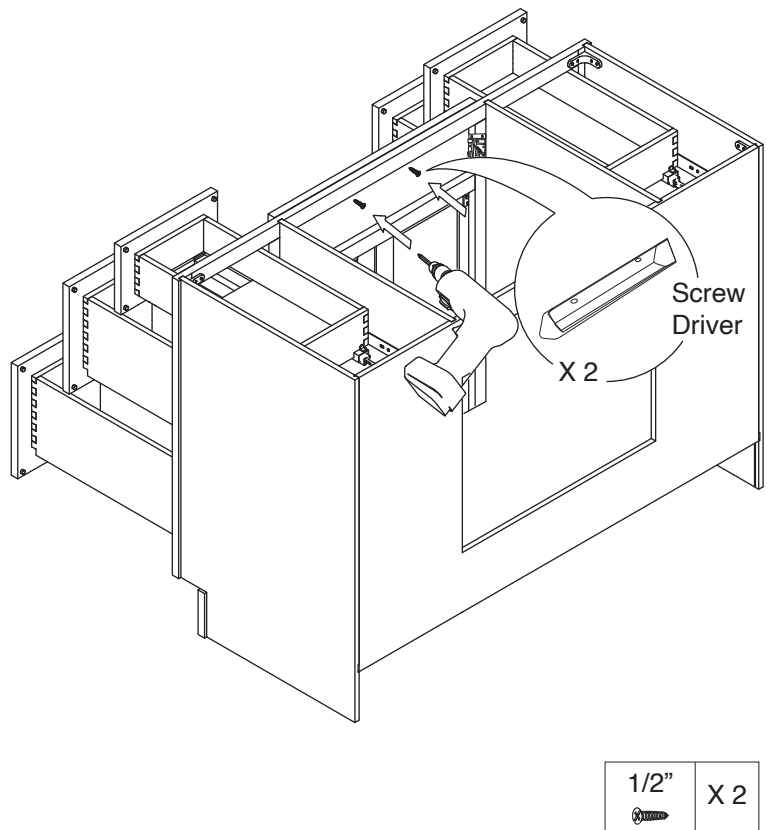
Step 22:



Step 23:



Step 24:



Step 25:

