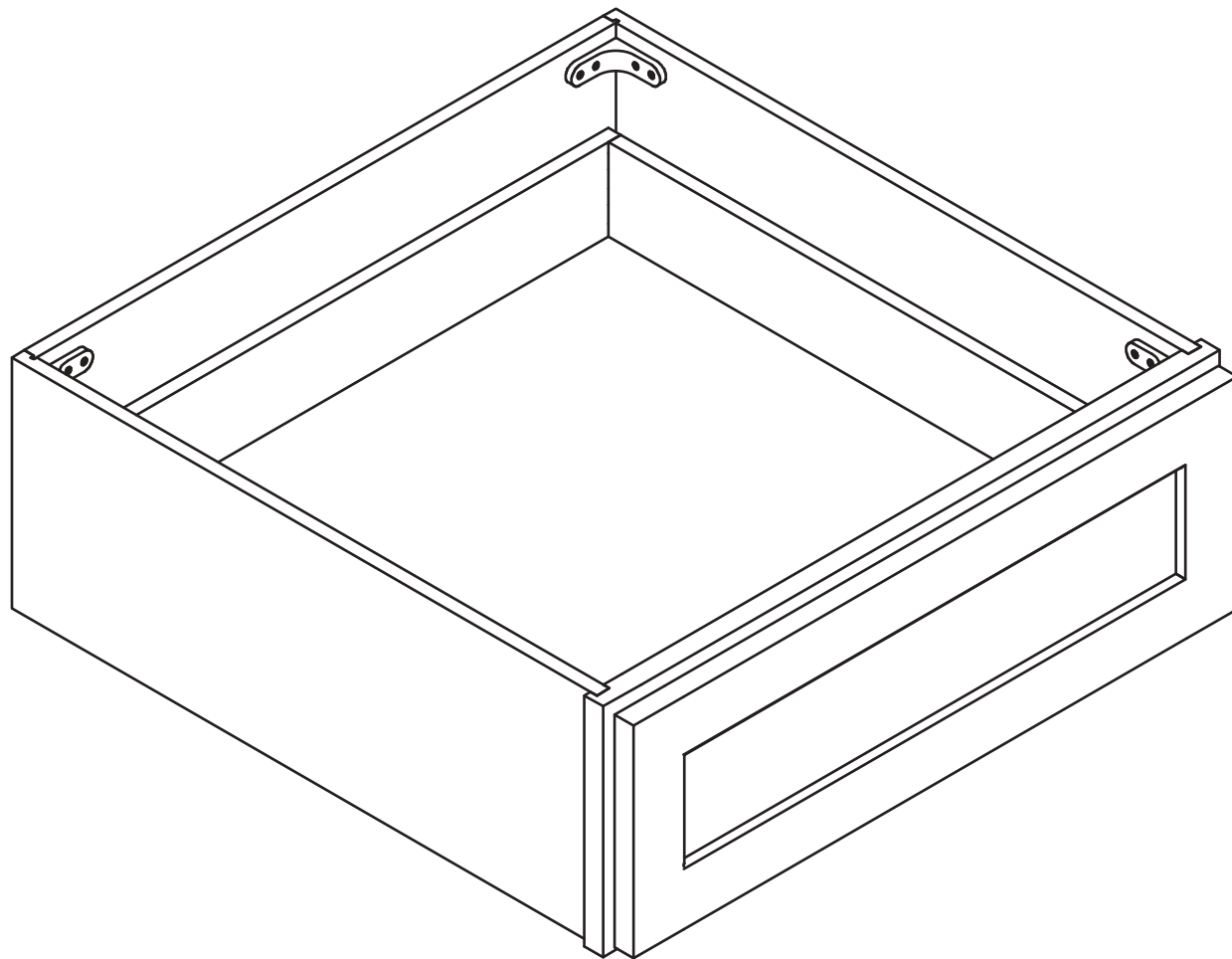


Assembly Instruction

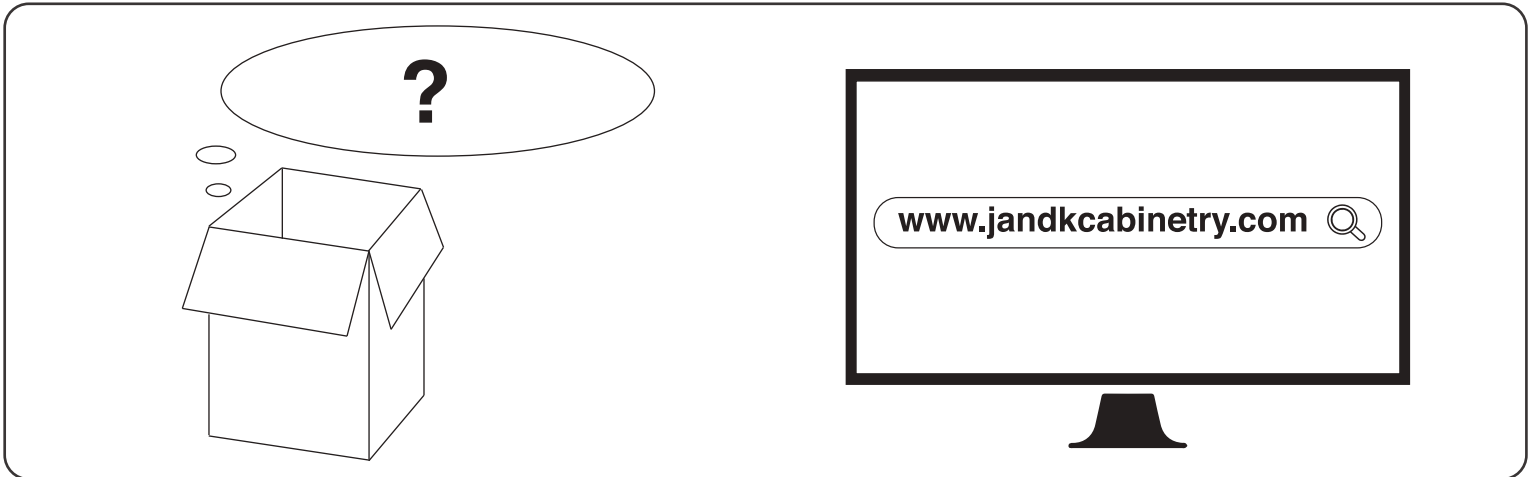
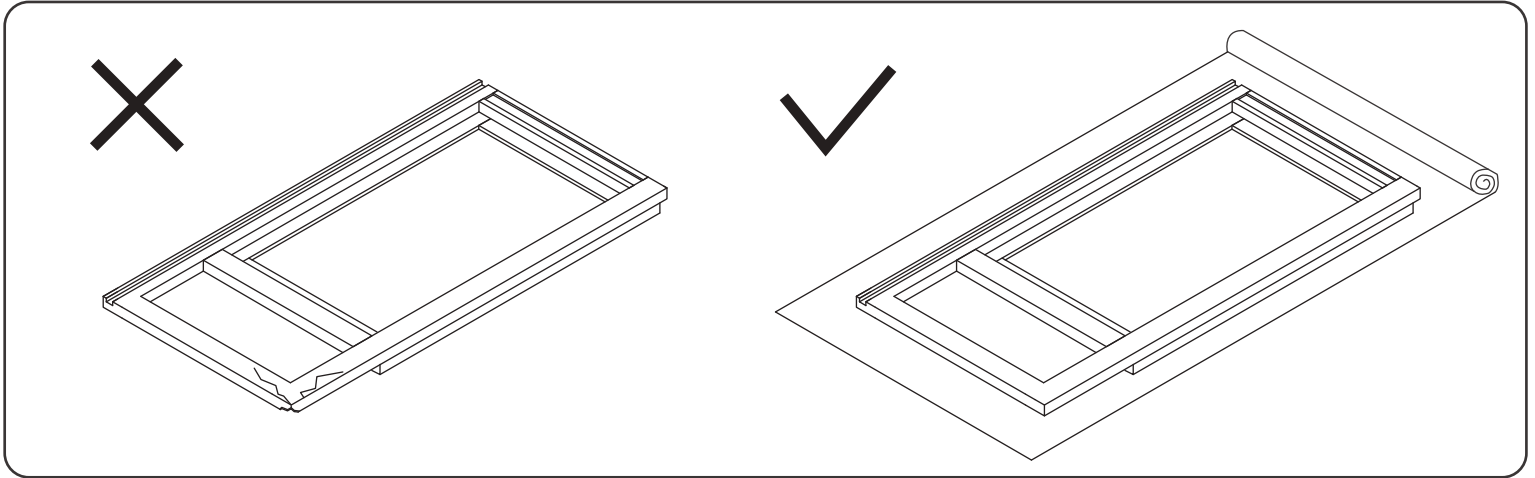
2020 Edition



Knee Drawer

Item Code:

FD24, FD27, FD30, FD36



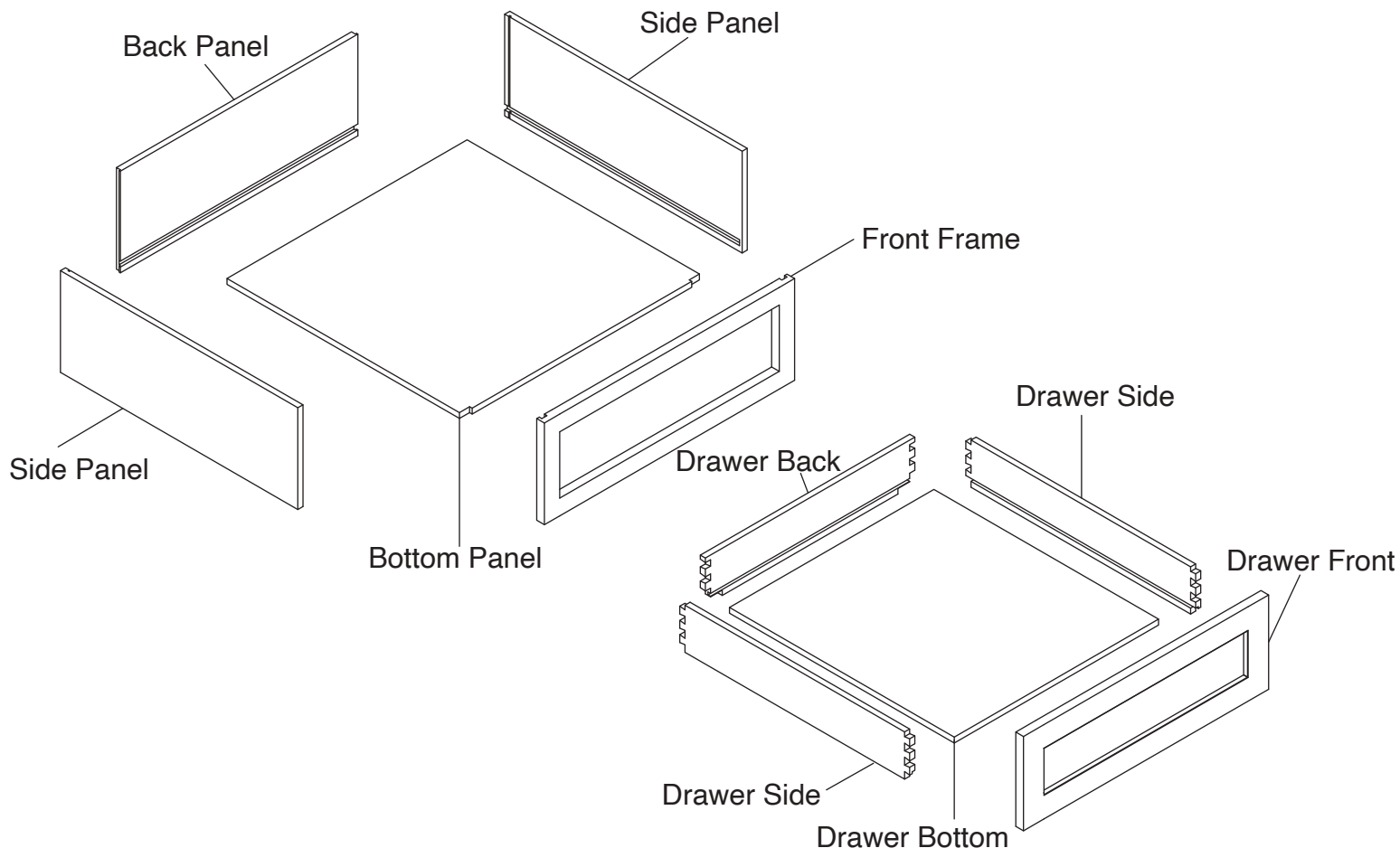
! **WARNING:**

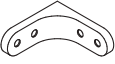




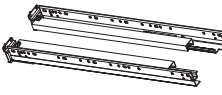
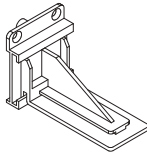
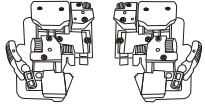
1. Please be careful when opening the box with boxcutter and/or blade.
2. J&K Cabinetry is not responsible for any injuries and/or damages incurred during cabinet assembly.

? **SERVICE:**

During the installation process, if you encounter any problems, please go to our official website: www.jandkcabinetry.com, check the full version assembly instruction or watch the assembly video online.

Included Items:



							
90° Brackets X 4	Screws X 10	Screws X 16	Screws X 3	Door Bumpers X 4	Under Mount Drawer Glide Kit X 1	Glide Supports X 2	Glide Locking Kit X 1

Recommended Tools:



Wood Glue



Screw Driver



Rubber Mallet



Compressor



Nail Gun



Stapler



Senco Fastener

Safety Tools:



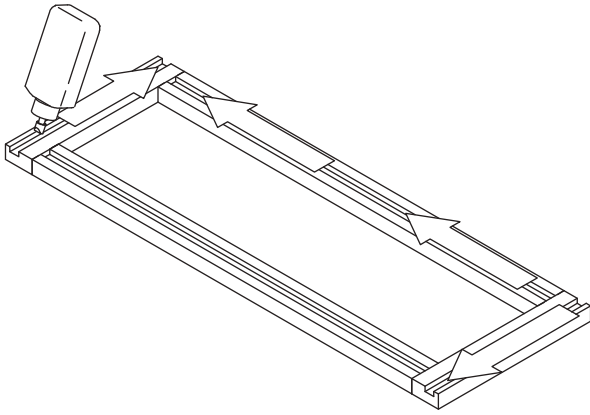
Eye Wear



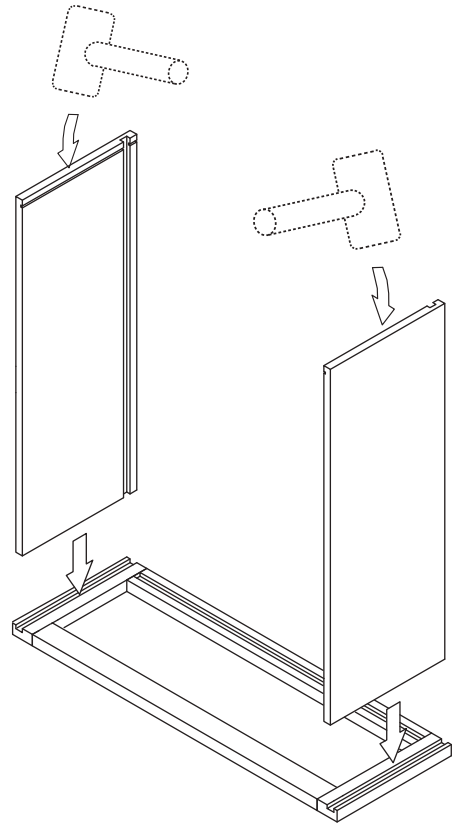
Gloves

Step 1:

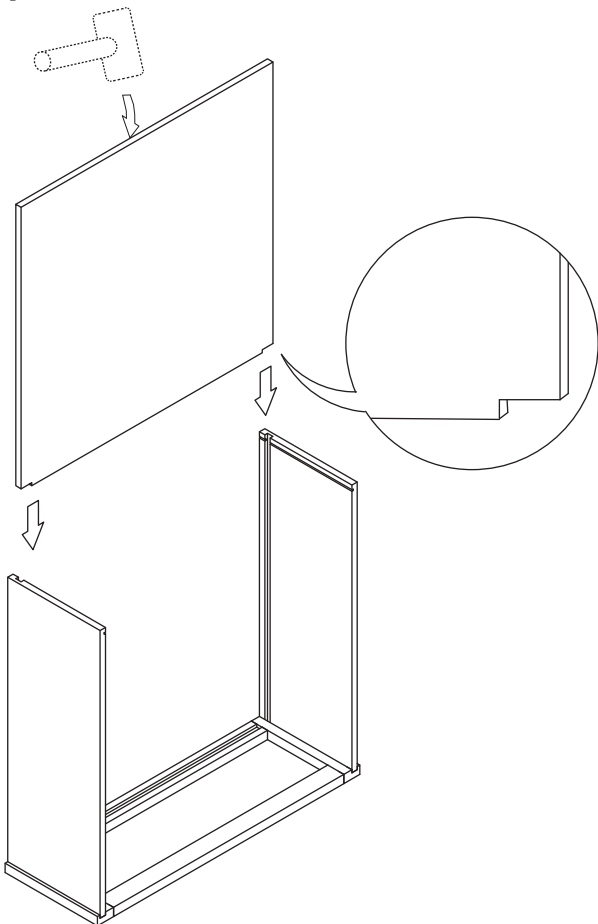
Wood Glue



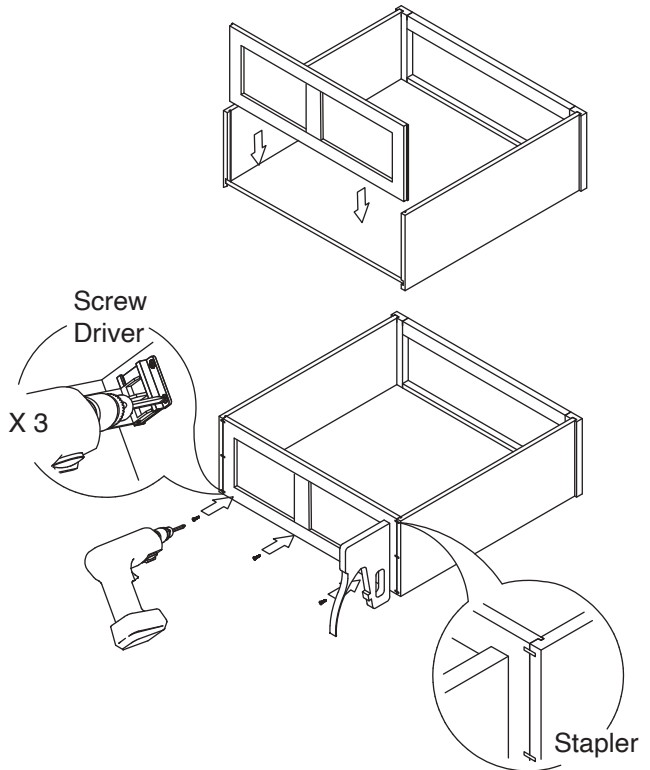
Step 2:



Step 3:



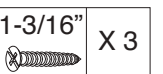
Step 4:



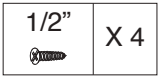
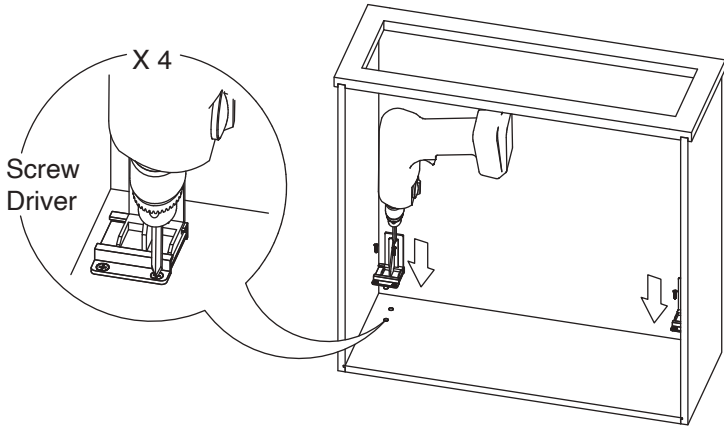
Screw Driver

X 3

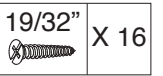
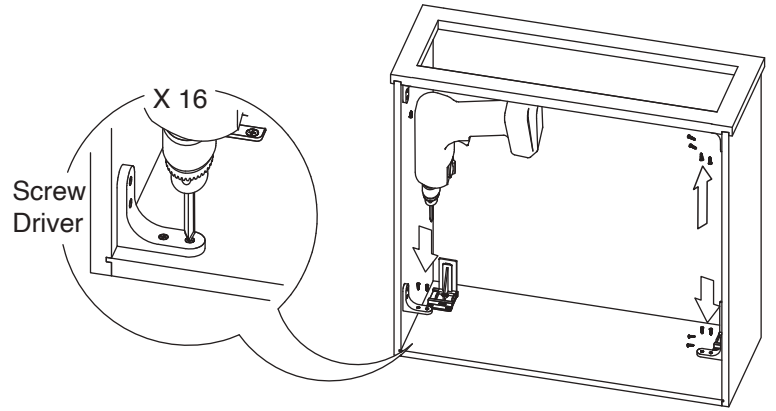
Stapler



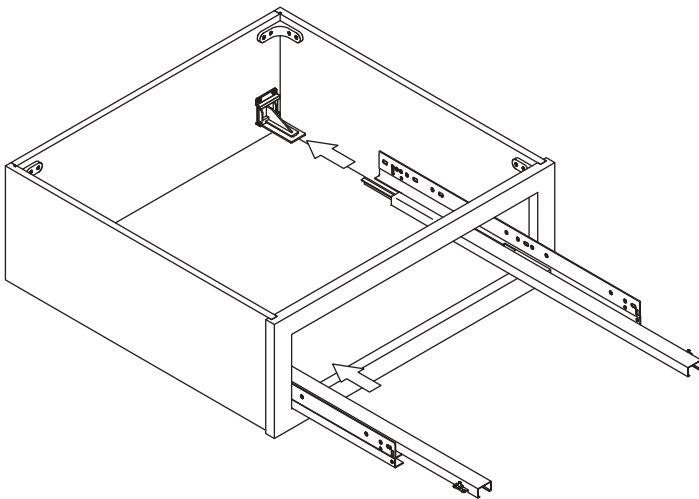
Step 5:



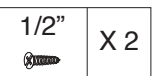
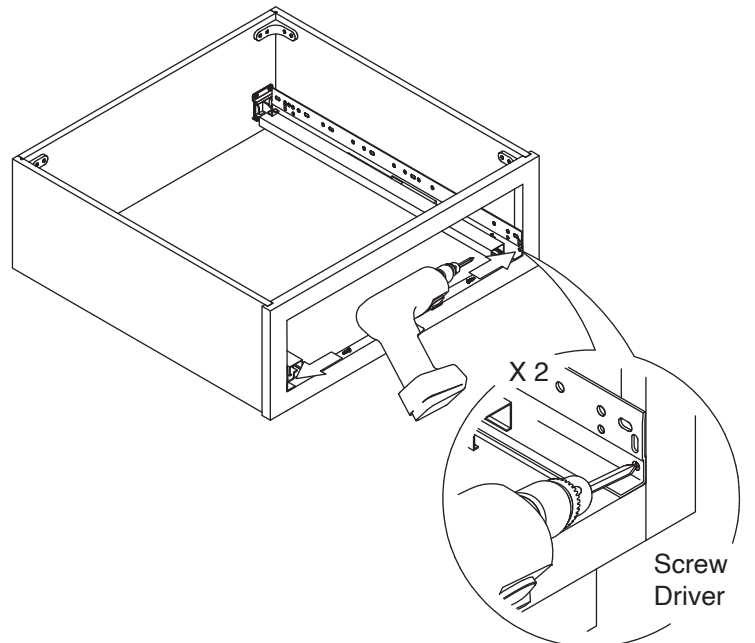
Step 6:



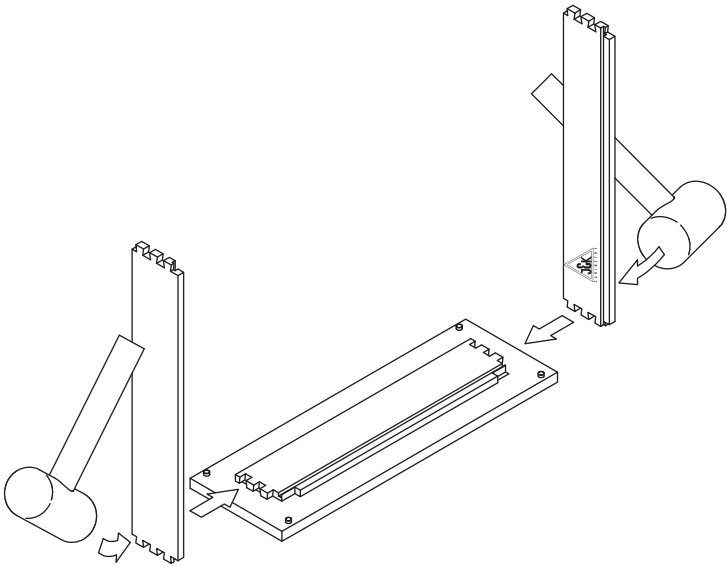
Step 7:



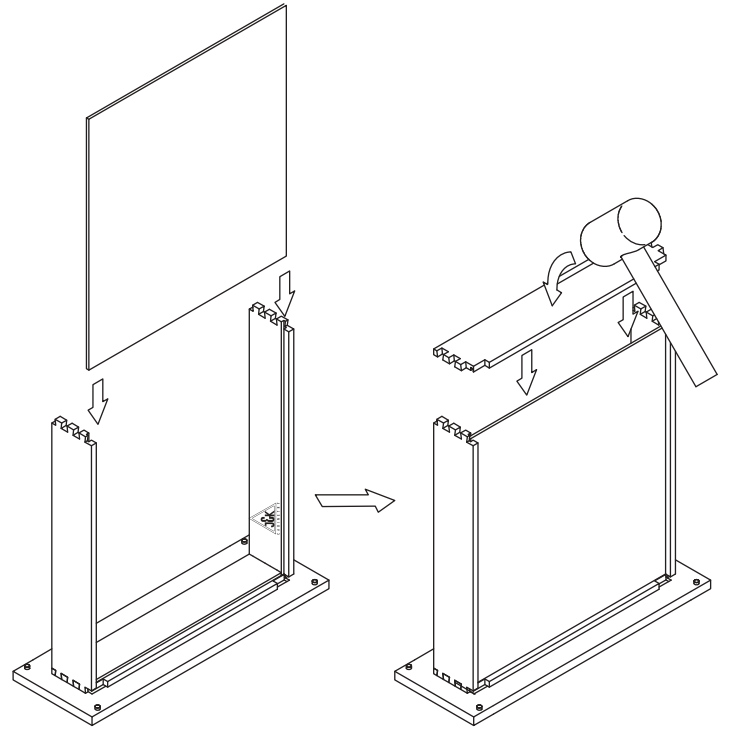
Step 8:



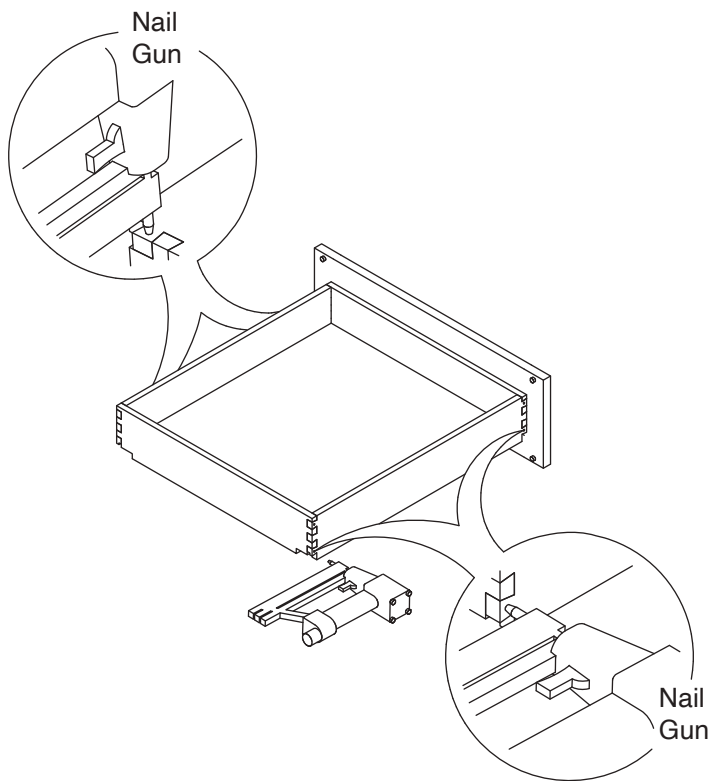
Step 9:



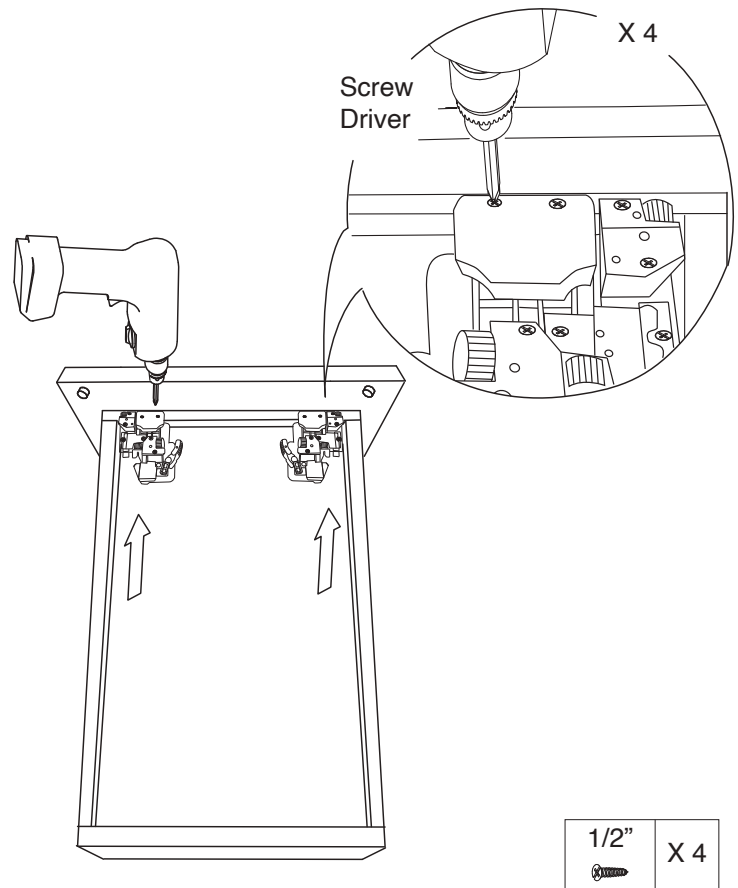
Step 10:



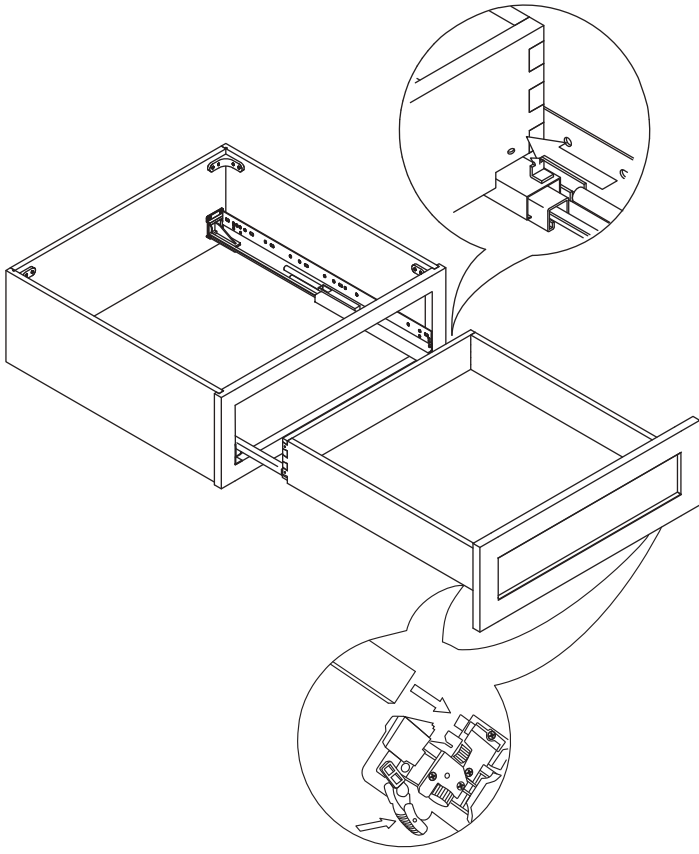
Step 11:



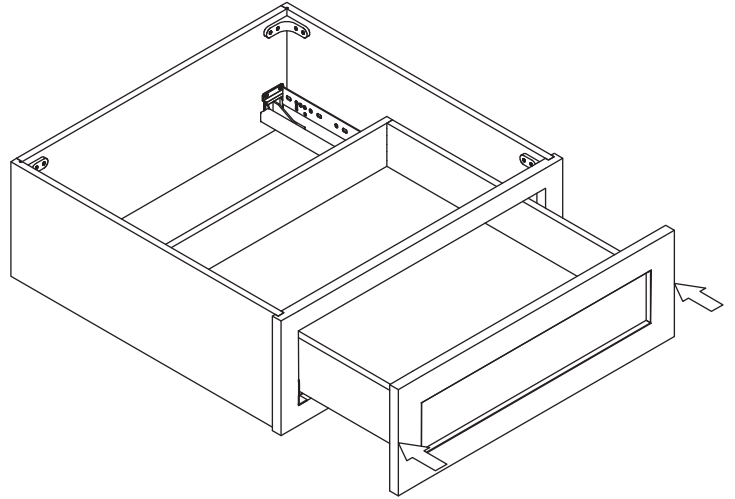
Step 12:



Step 13:



Step 14:



Step 15:

