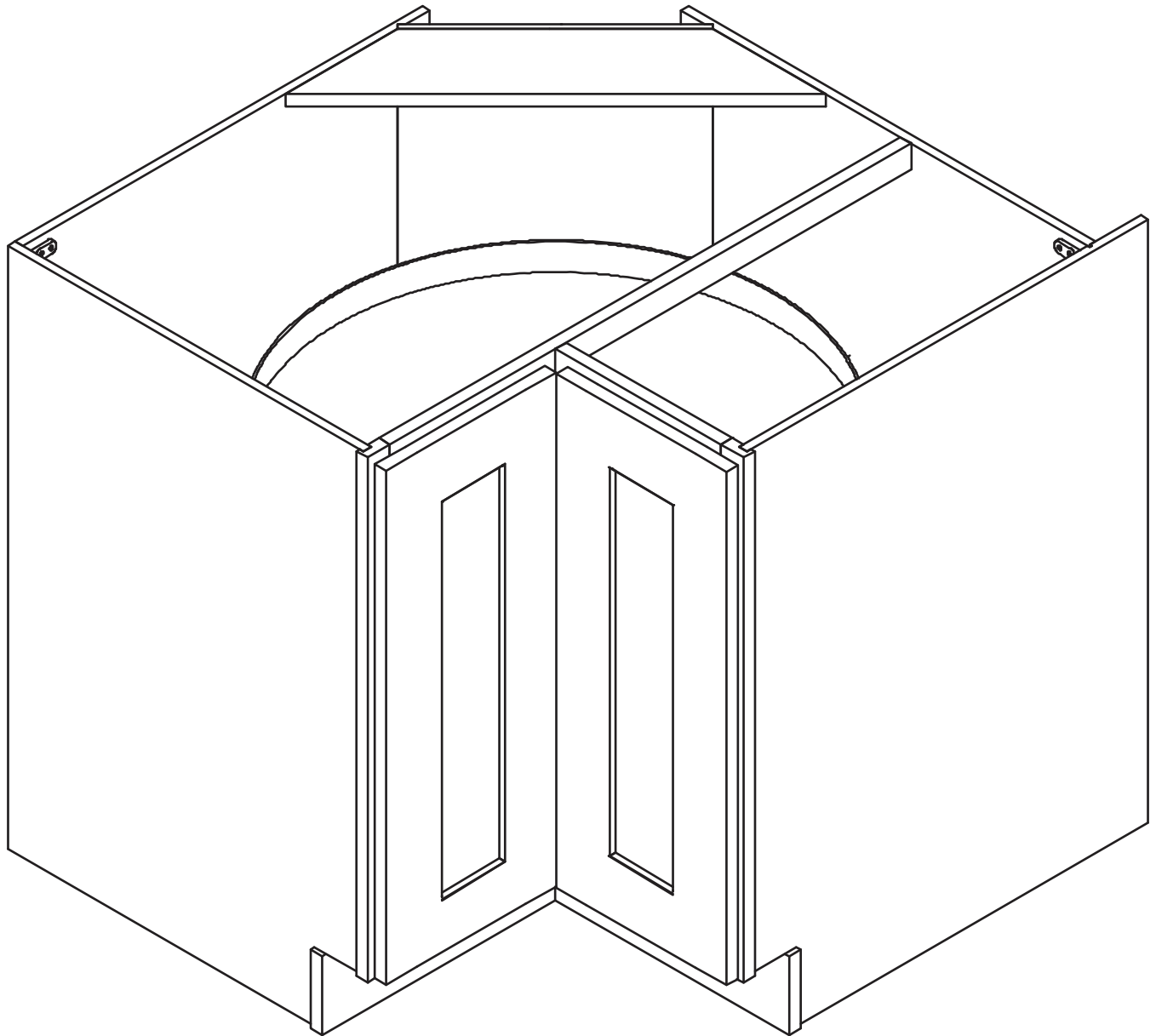
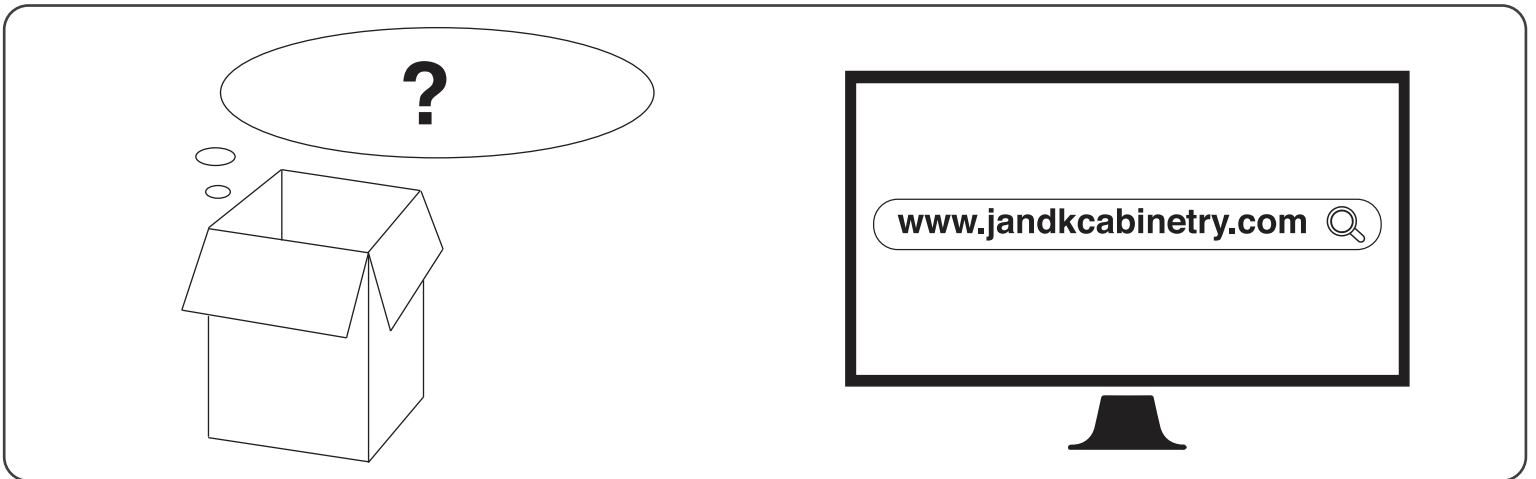
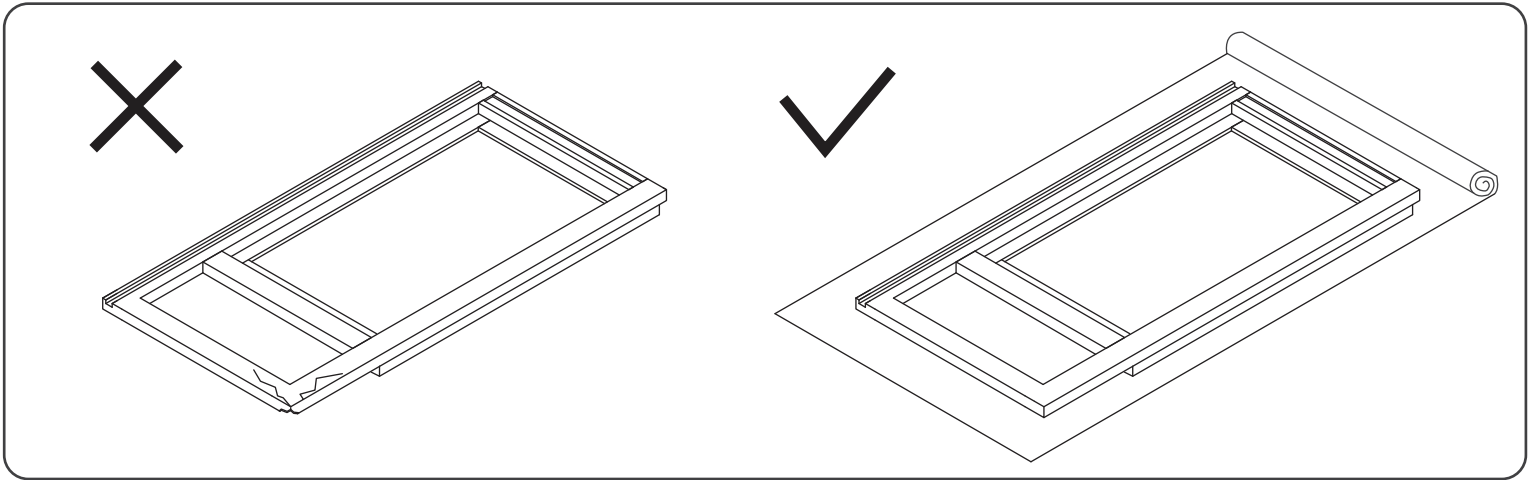


# Assembly Instruction

2020 Edition



**Lazy Susan**  
Item Code:  
LS3309, LS3612



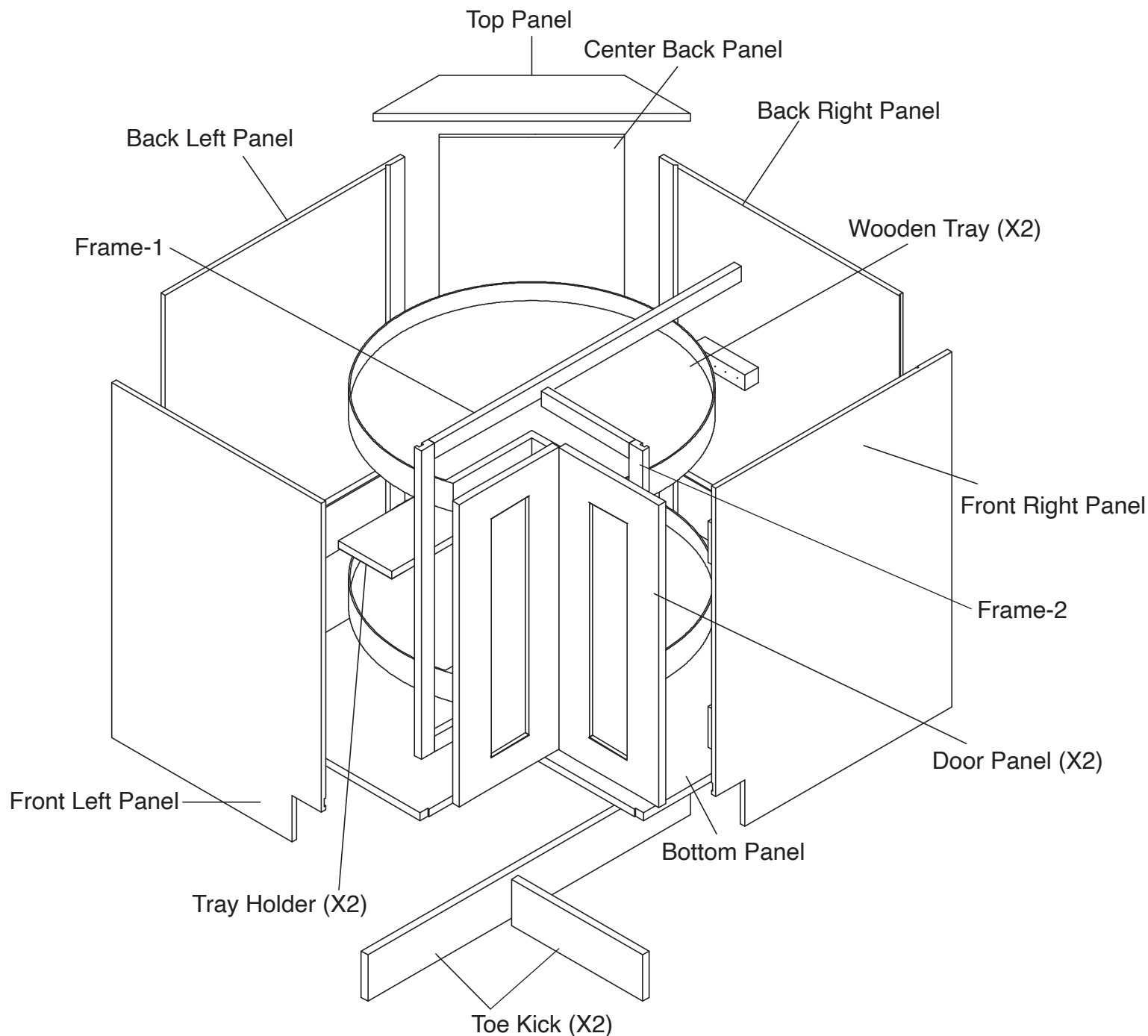
**! WARNING:**

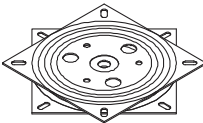
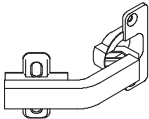

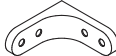






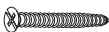
1. Please be careful when opening the box with boxcutter and/or blade.
2. J&K Cabinetry is not responsible for any injuries and/or damages incurred during cabinet assembly.

**? SERVICE:**

During the installation process, if you encounter any problems, please go to our official website: [www.jandkcabinetry.com](http://www.jandkcabinetry.com), check the full version assembly instruction or watch the assembly video online.

# Included Items:



					
Flat Swivel X 2	Hinge 1 X 2	Hinge 2 X 2	90° Brackets X 4	Door Bumpers X 4	
1/2"	9/16"	3/4"	15/16"	1-3/16"	1-9/16"
					
Screws X 16	Screws X 8	Screws X 16	Screws X 20	Screws X 10	Screws X 6

## Recommended Tools:



Wood Glue



Screw Driver



Rubber Mallet



Compressor



Nail Gun



Stapler



Senco Fastener

## Safety Tools:

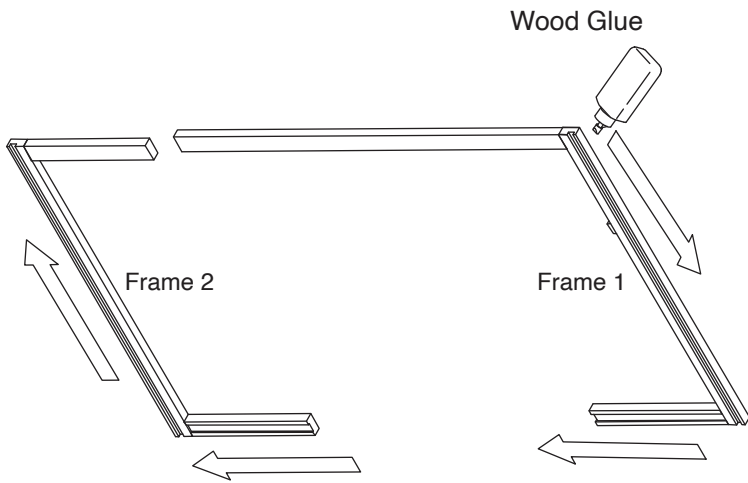


Eye Wear

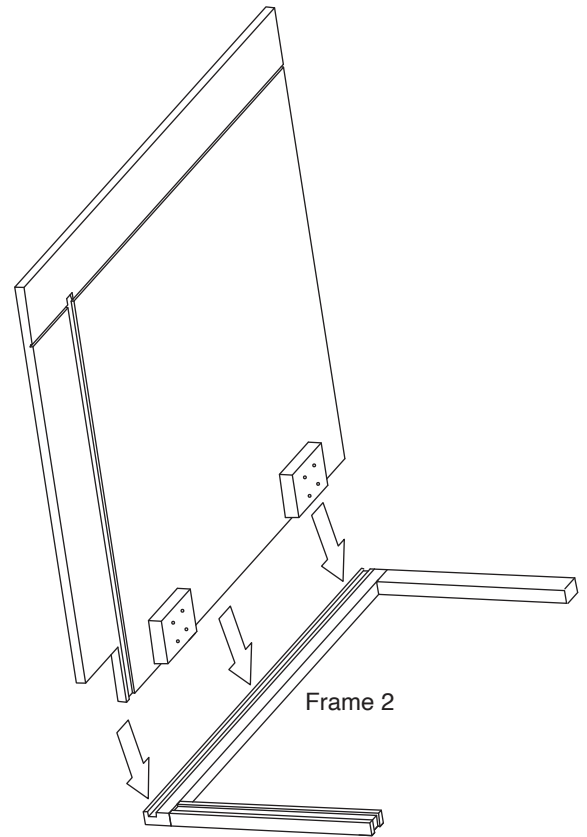


Gloves

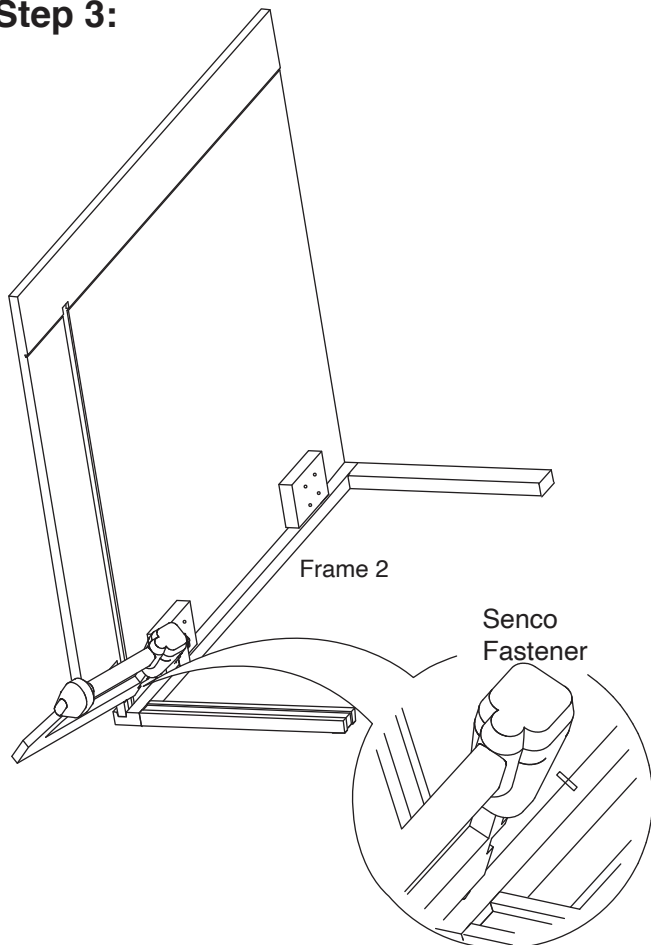
### Step 1:



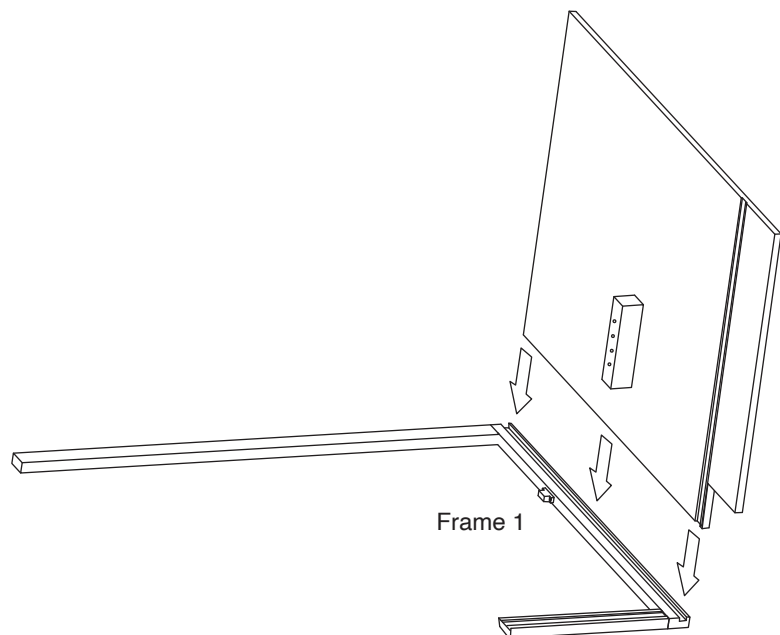
### Step 2:



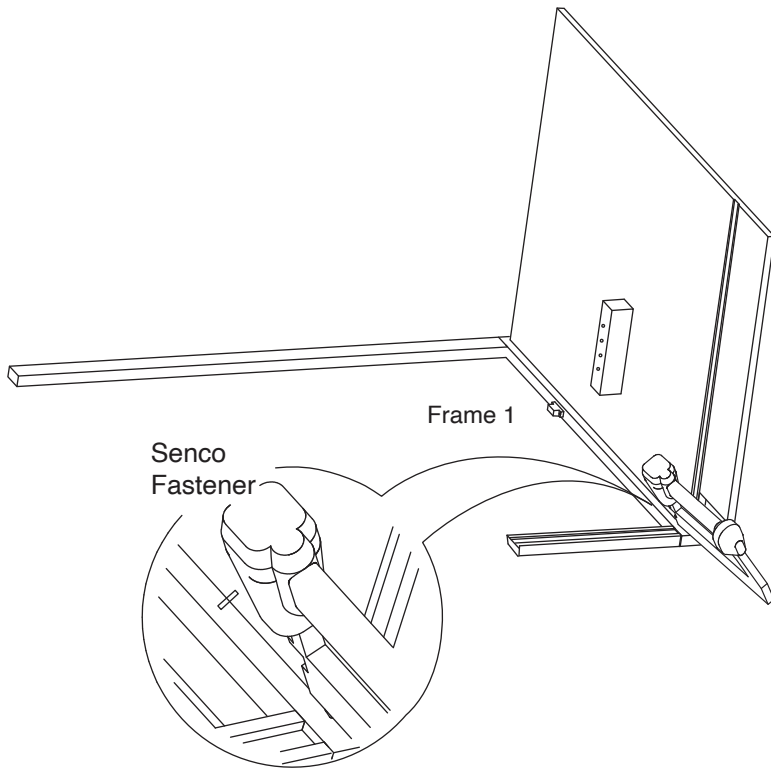
### Step 3:



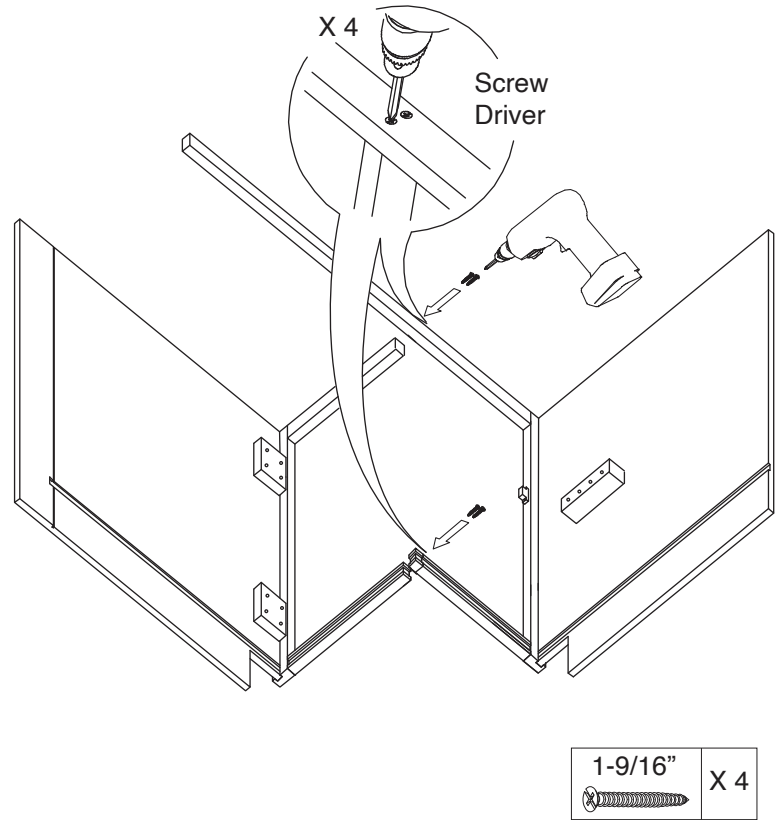
### Step 4:



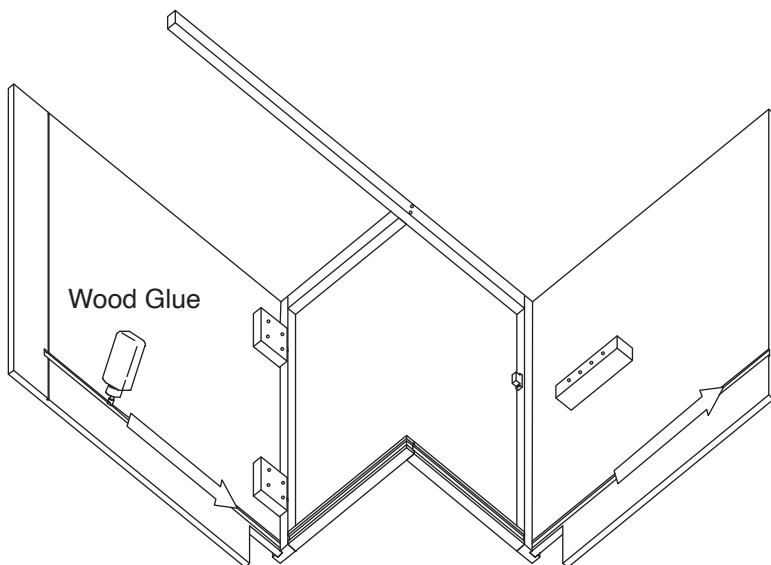
### Step 5:



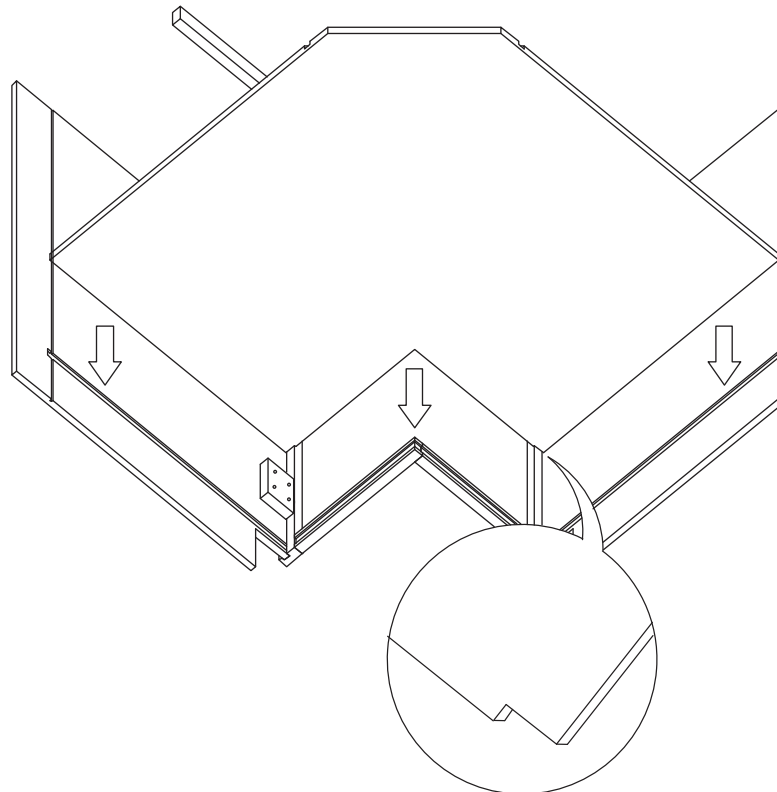
### Step 6:



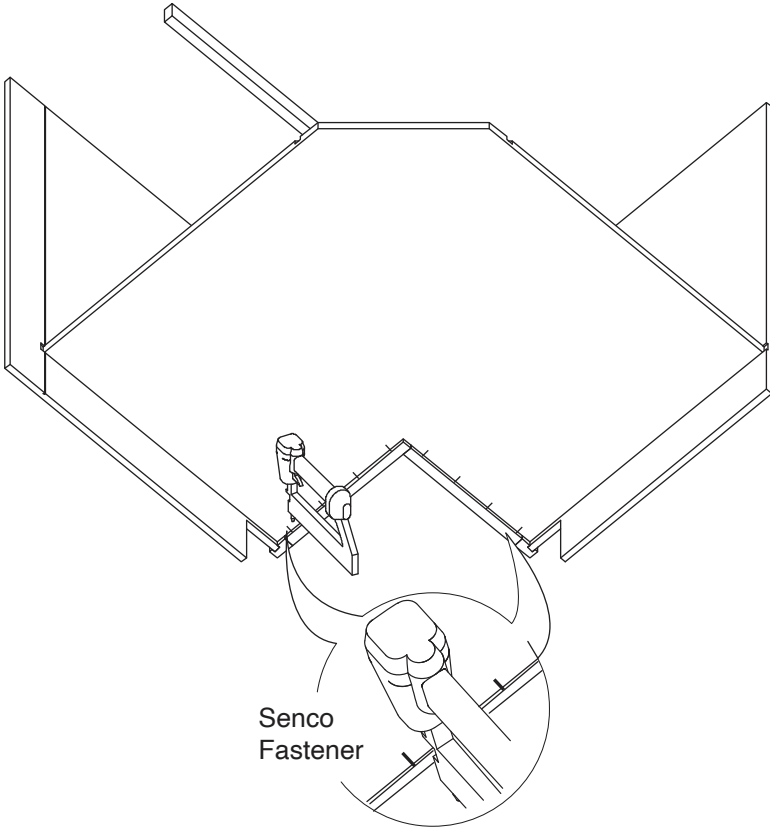
### Step 7:



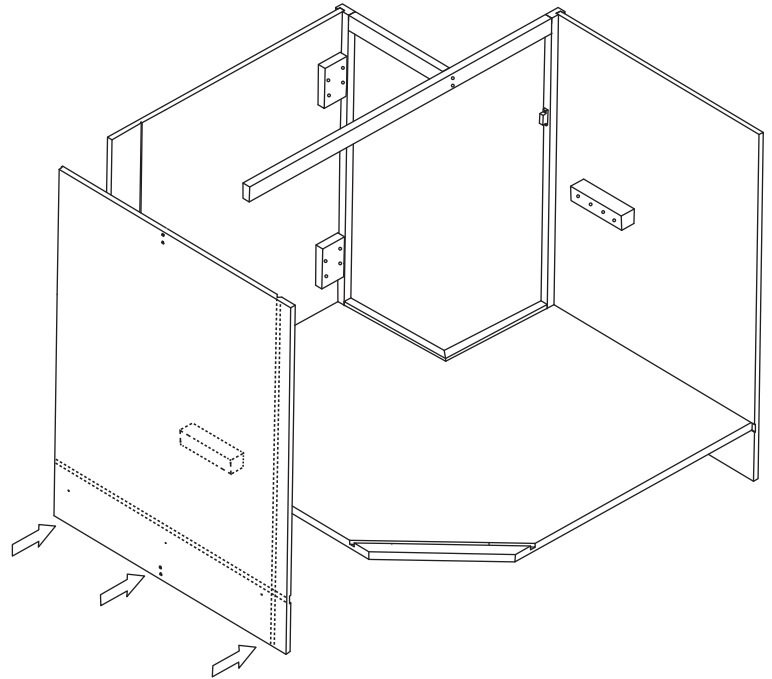
### Step 8:



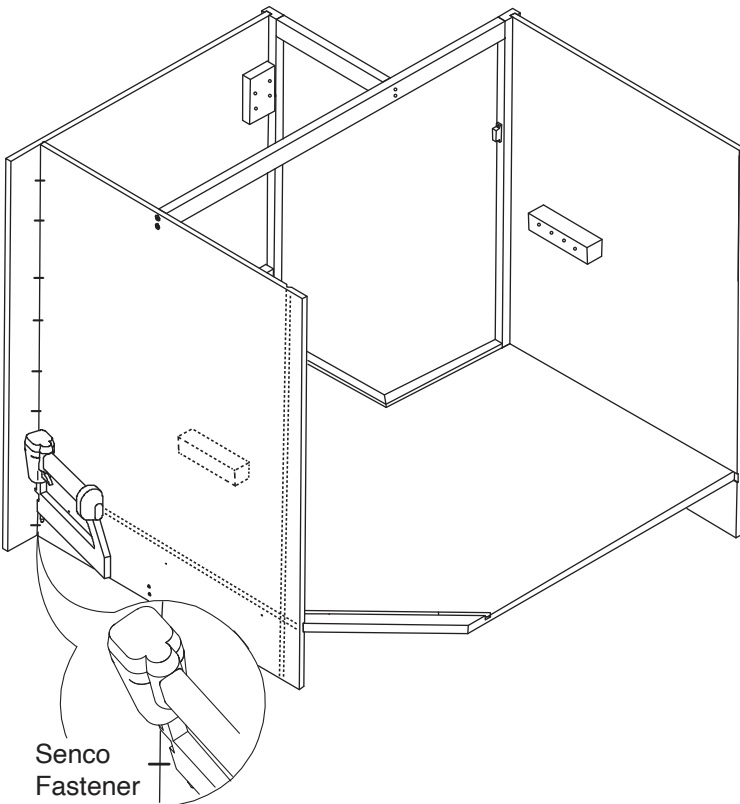
**Step 9:**



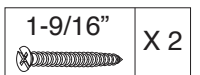
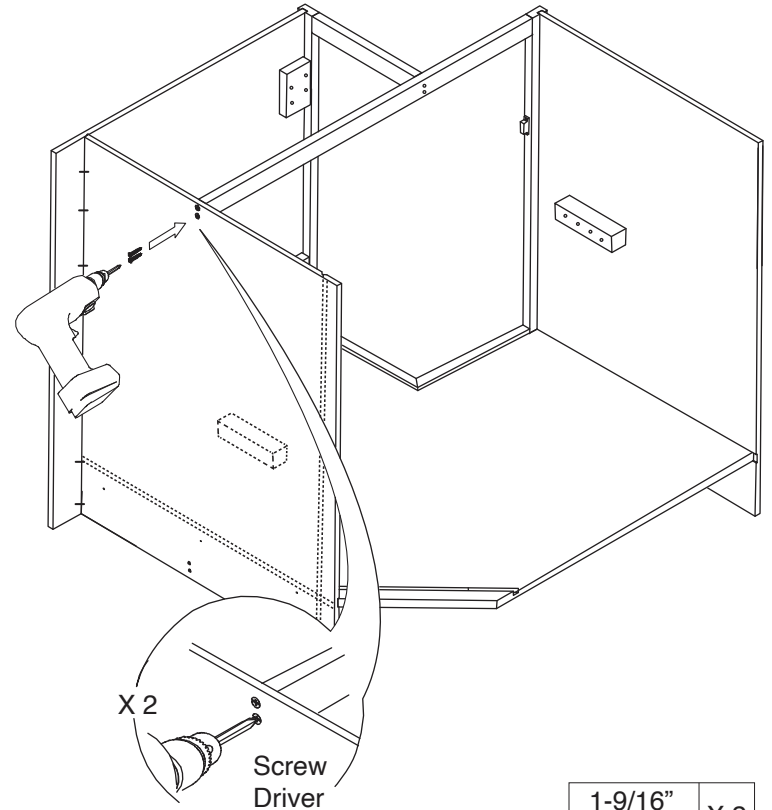
**Step 10:**



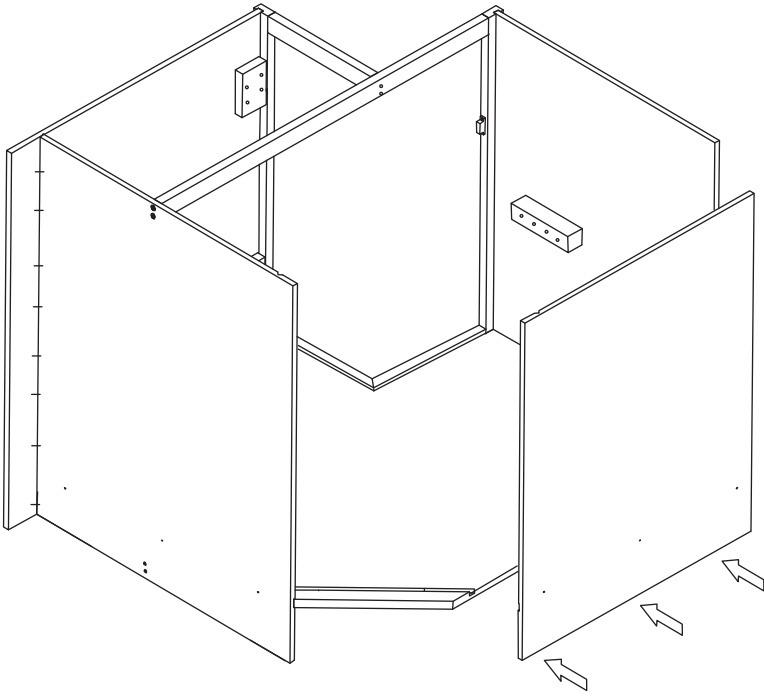
**Step 11:**



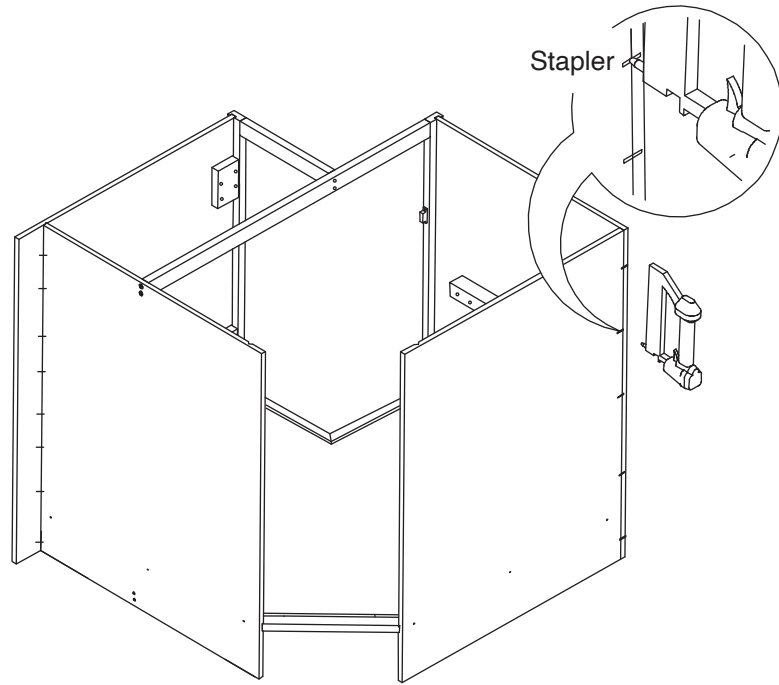
**Step 12:**



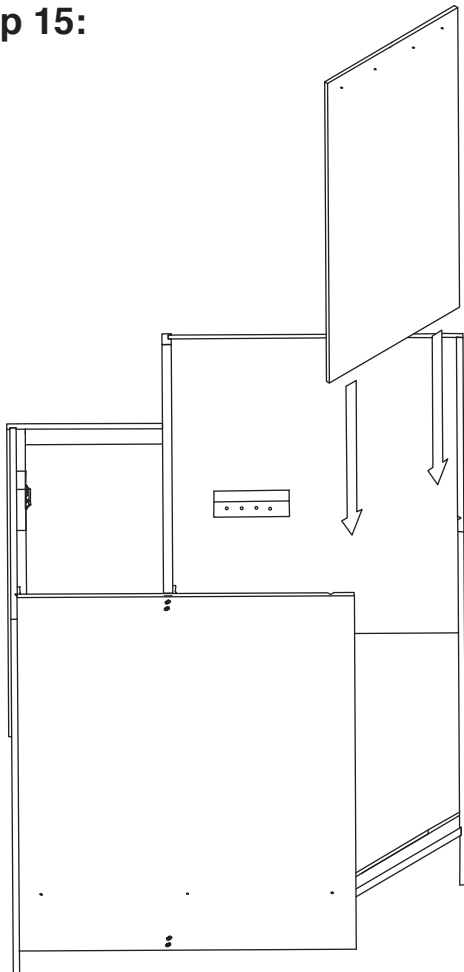
### Step 13:



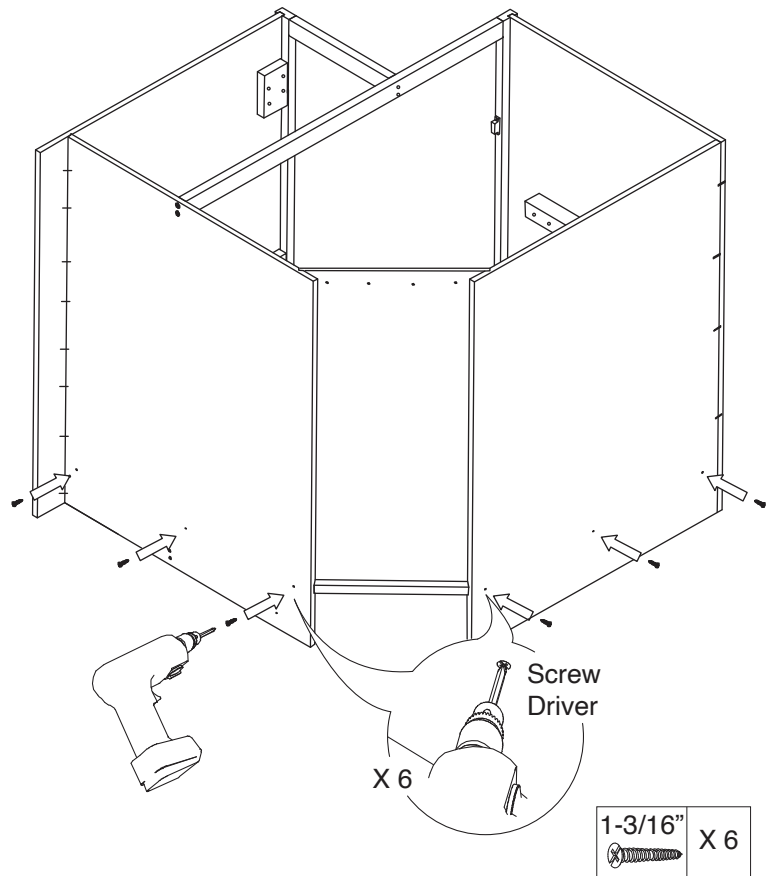
### Step 14:



### Step 15:

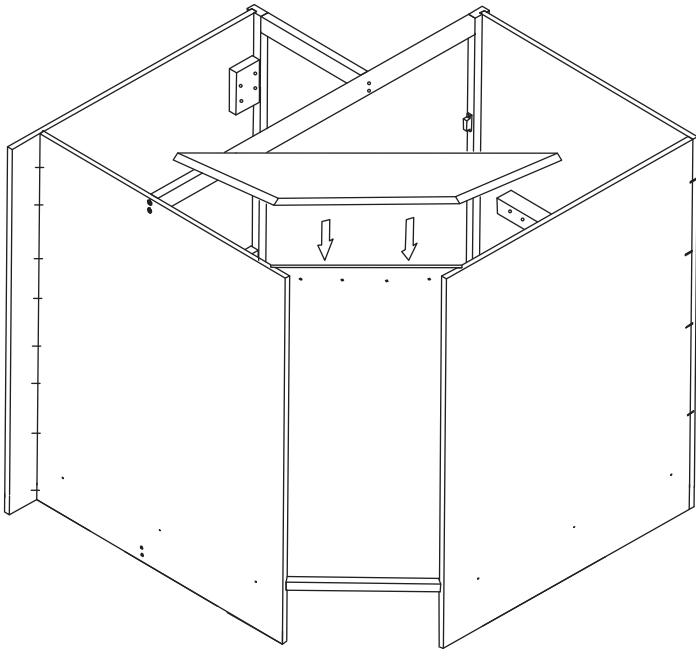


### Step 16:

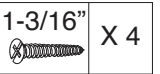
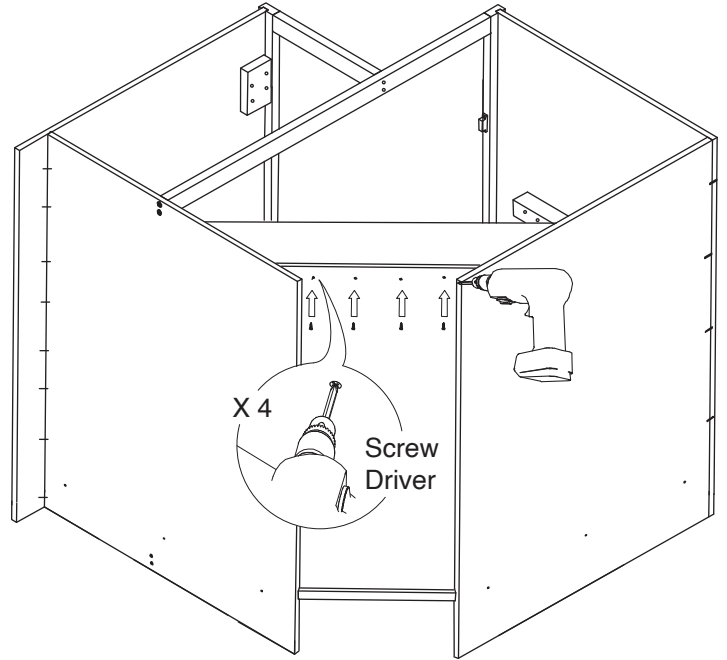




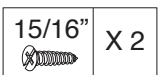
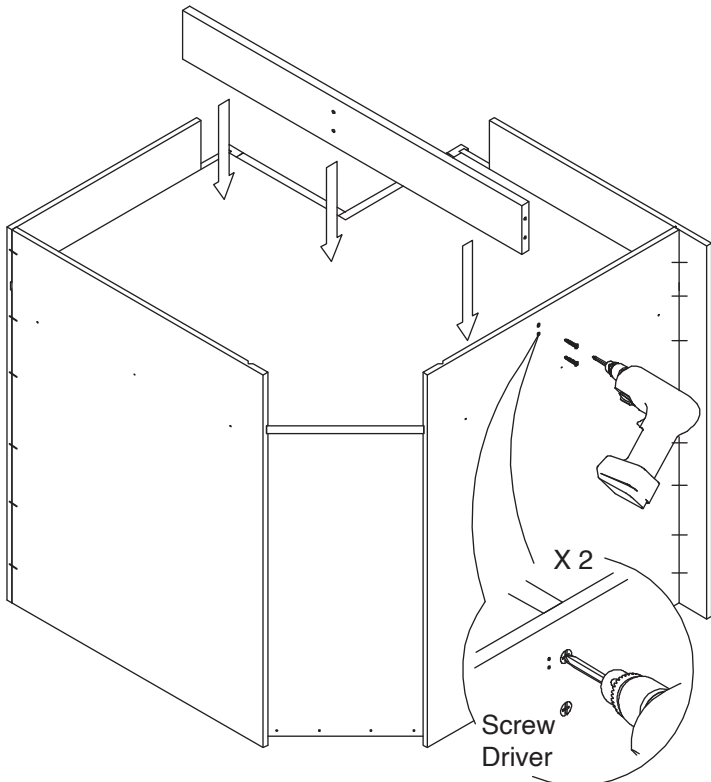
### Step 17:



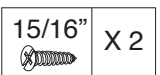
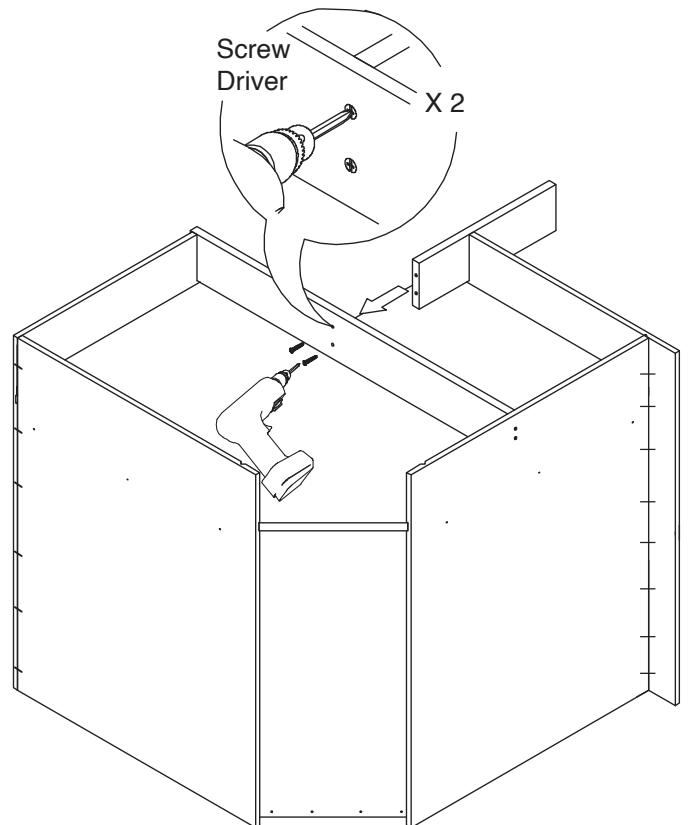
### Step 18:



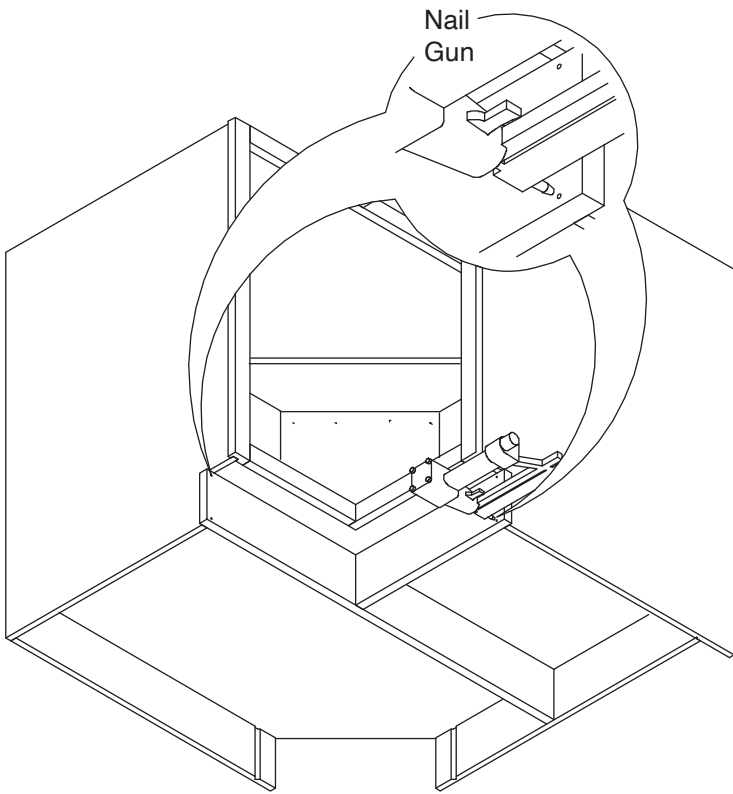
### Step 19:



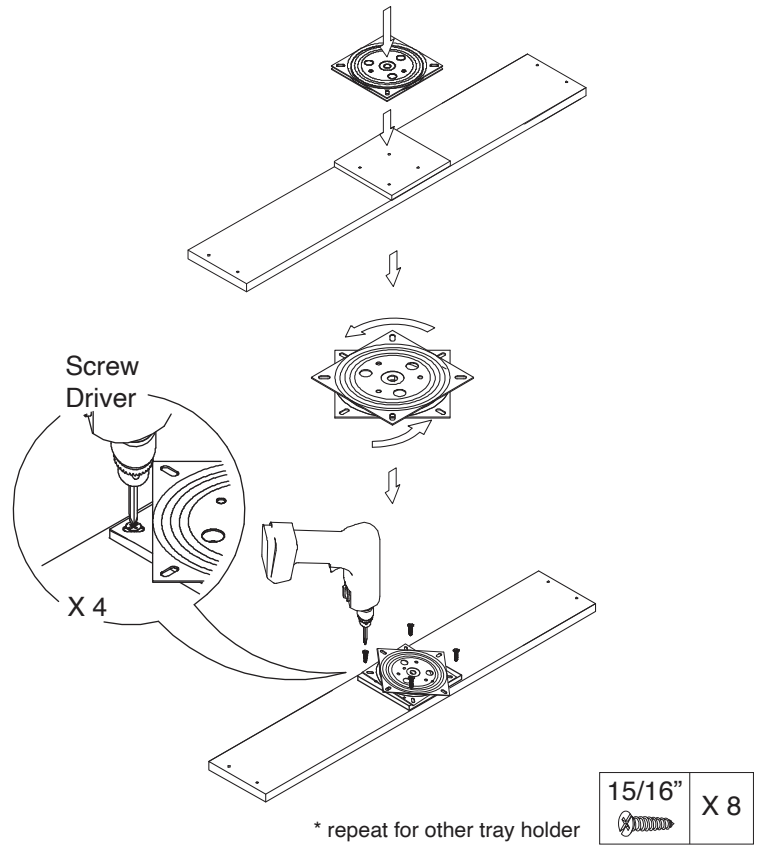
### Step 20:



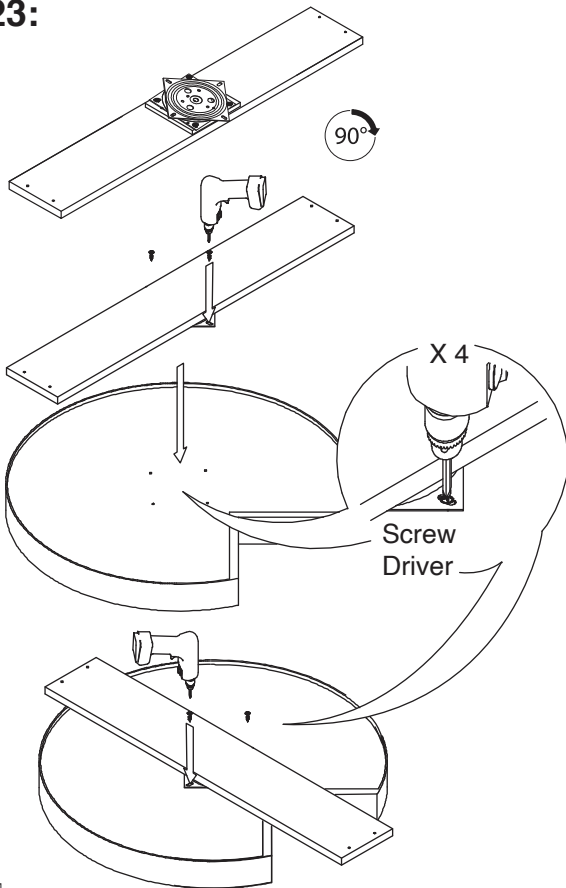
### Step 21:



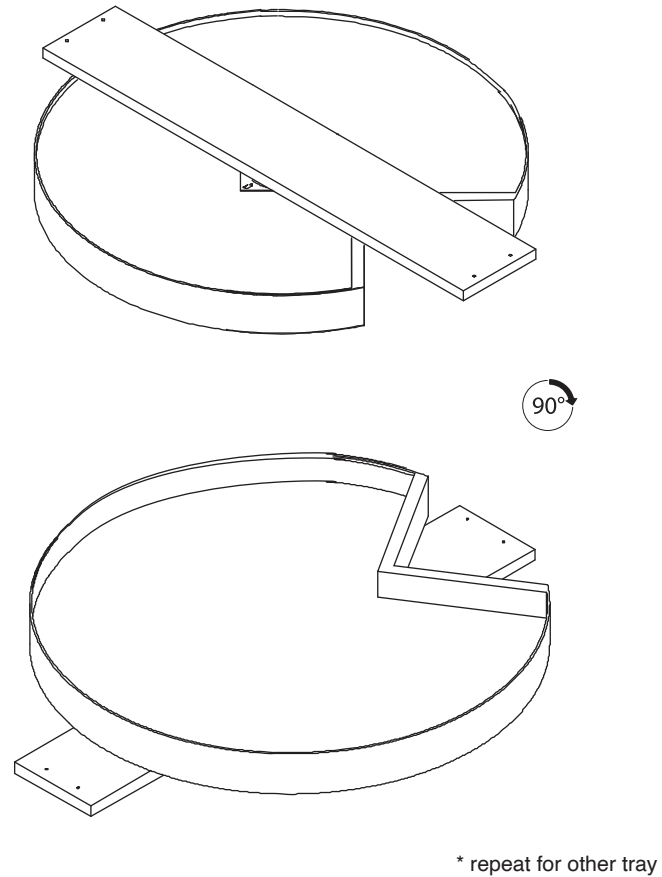
### Step 22:



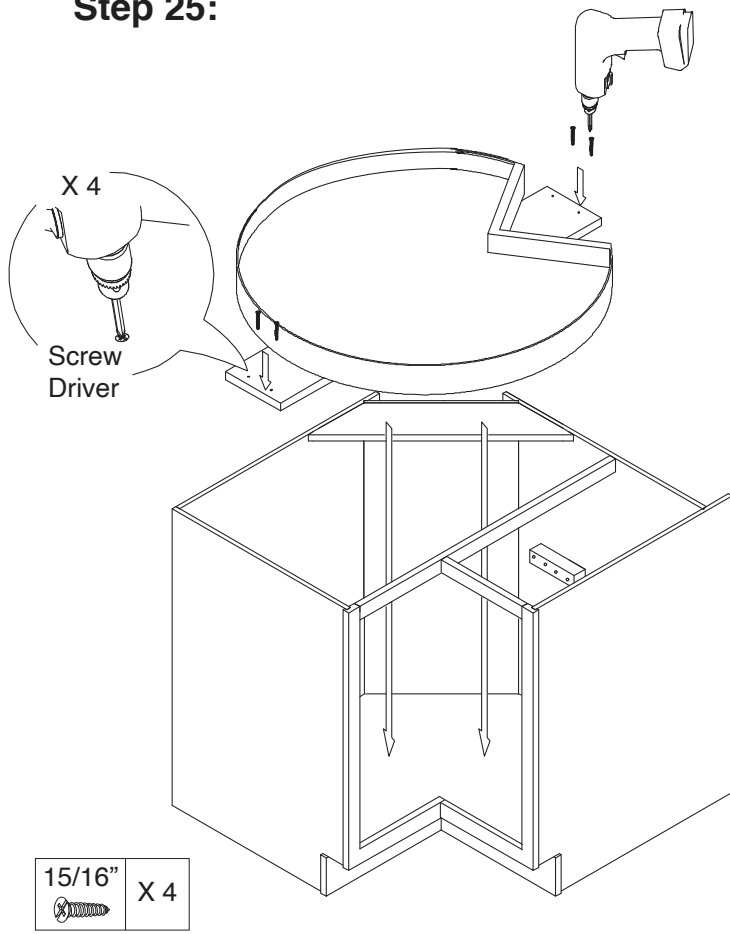
### Step 23:



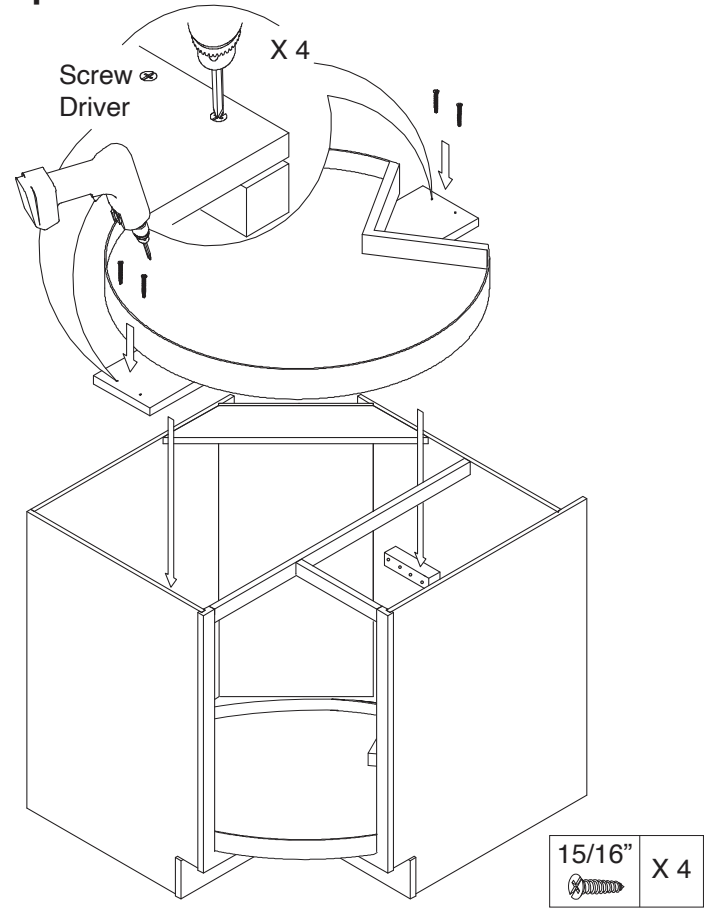
### Step 24:



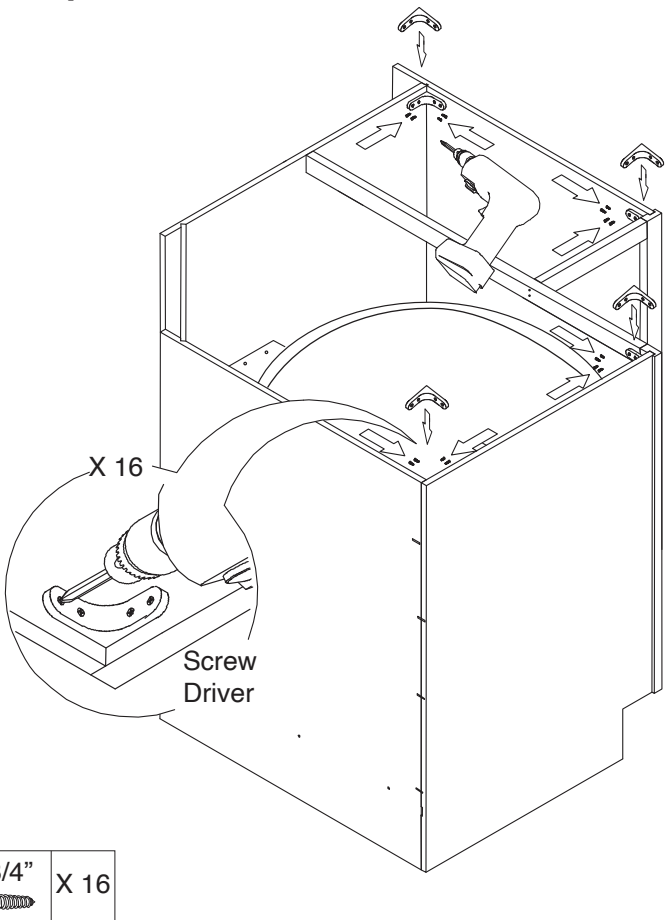
### Step 25:



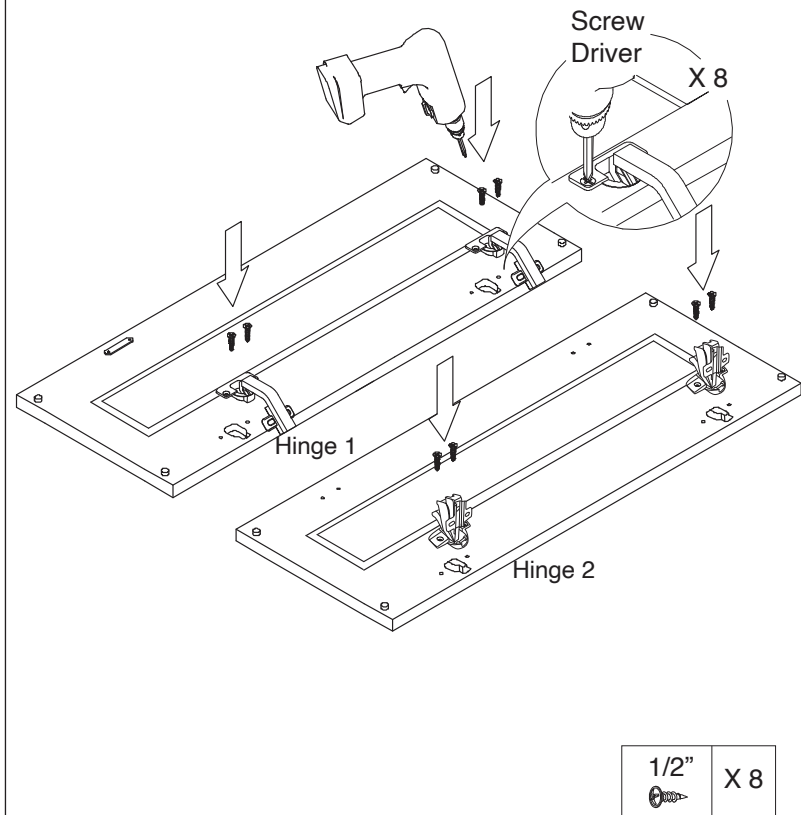
### Step 26:



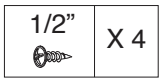
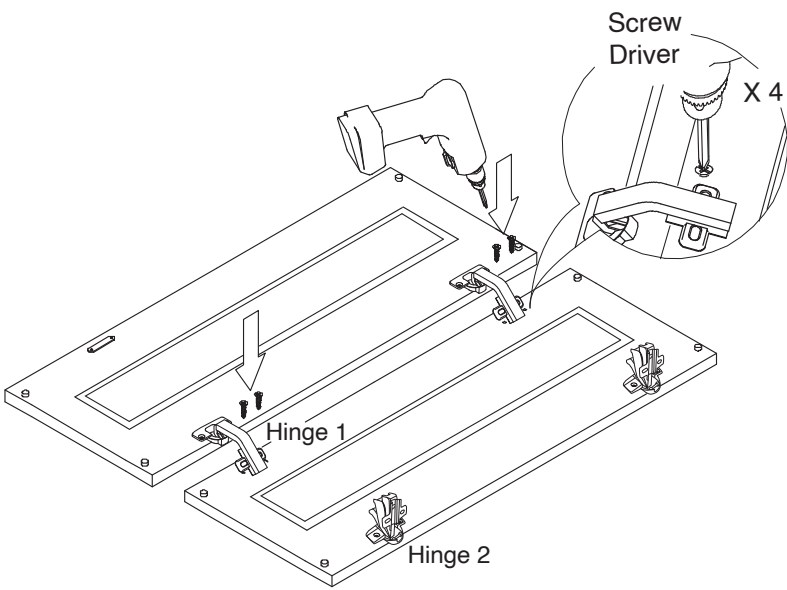
### Step 27:



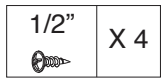
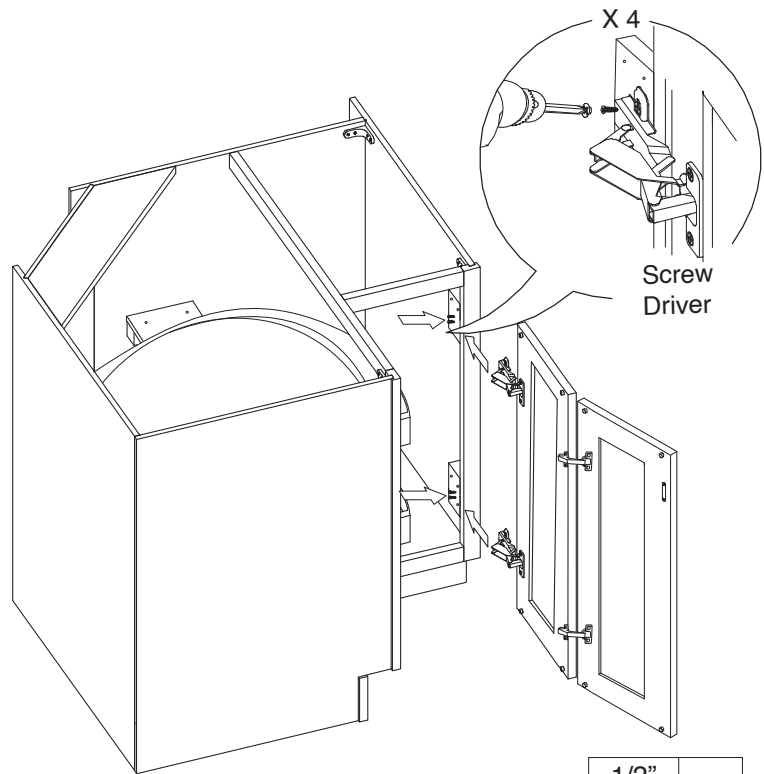
### Step 28:



### Step 29:



### Step 30:



### Step 31:

