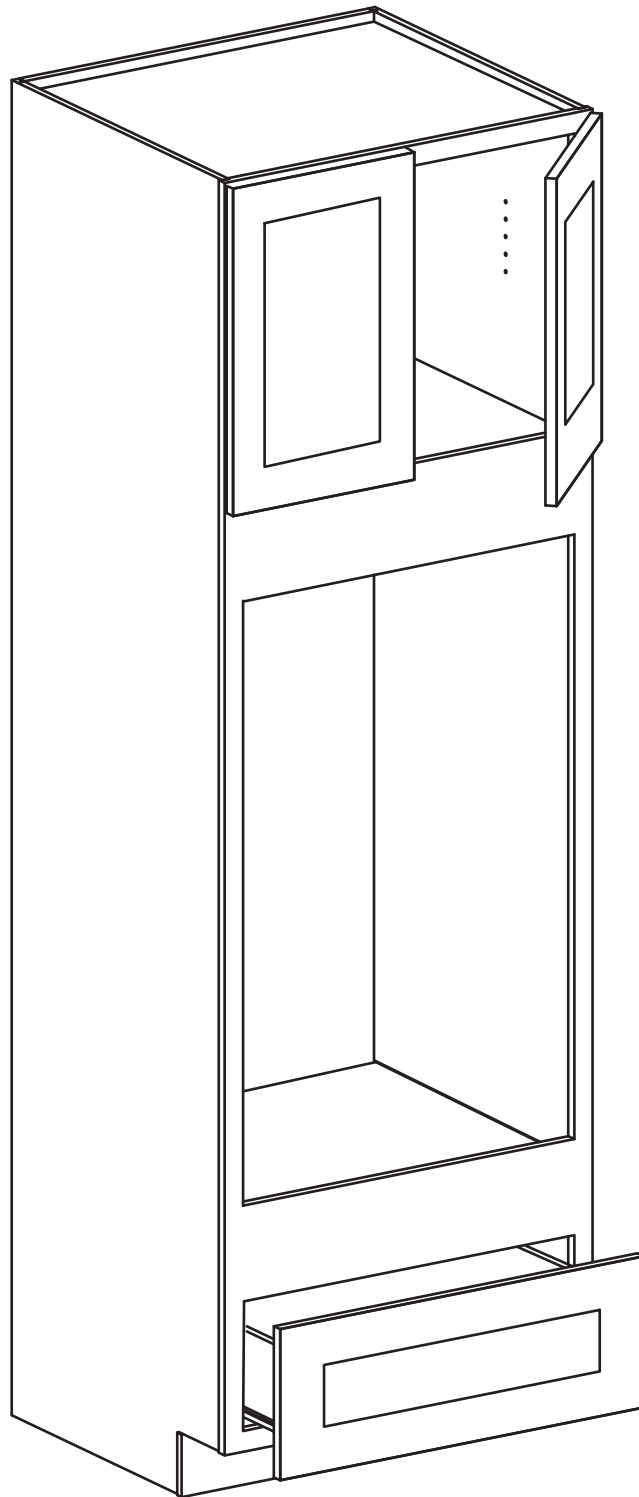


# Assembly Instruction

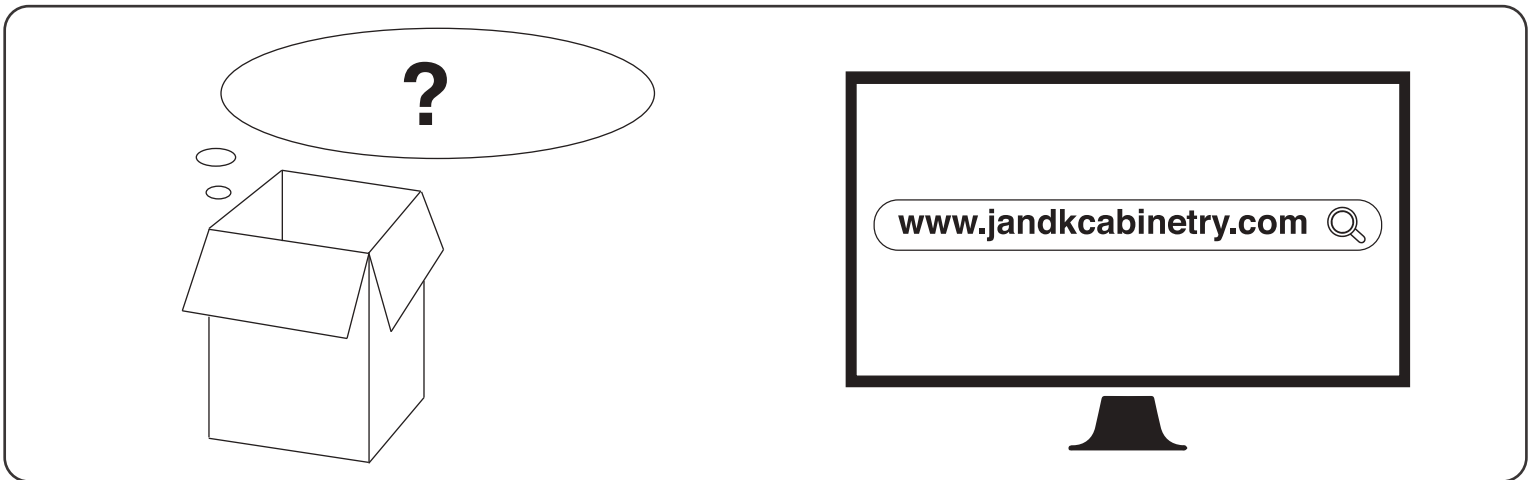
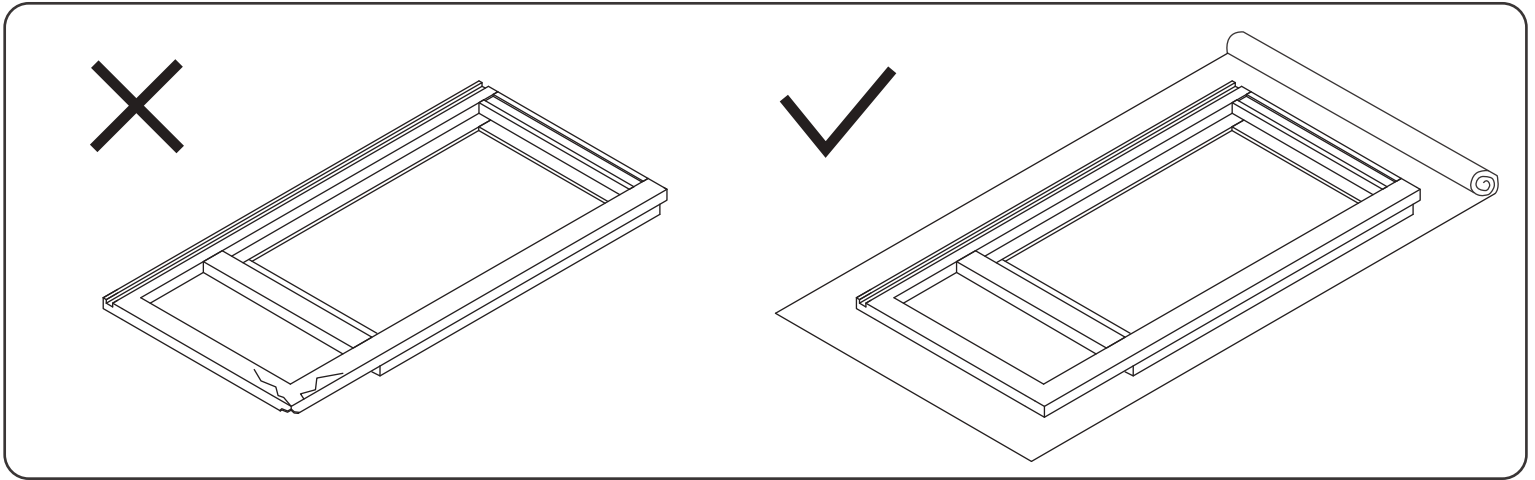
2020 Edition



## Tall Oven Cabinet

Item Code:

OC308427WO, OC338427WO, OC309027WO  
OC339027WO, OC309627WO, OC339627WO



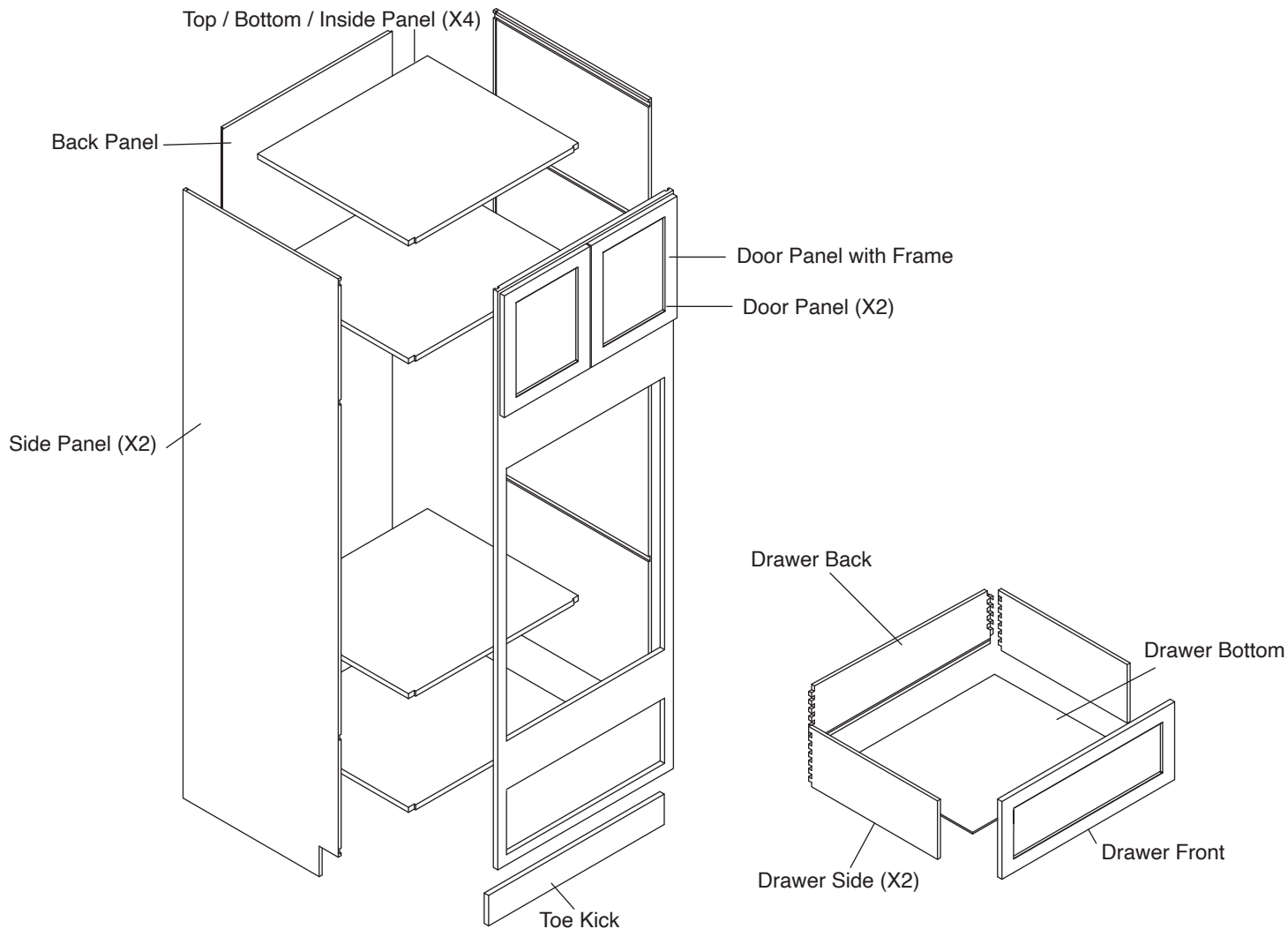
**! WARNING:**




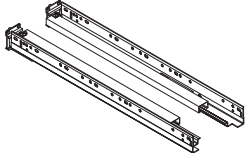
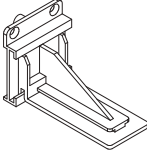
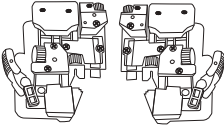
1. Please be careful when opening the box with boxcutter and/or blade.
2. J&K Cabinetry is not responsible for any injuries and/or damages incurred during cabinet assembly.

**? SERVICE:**

During the installation process, if you encounter any problems, please go to our official website: [www.jandkcabinetry.com](http://www.jandkcabinetry.com), check the full version assembly instruction or watch the assembly video online.

# Included Items:



					
Screws <b>X 10</b>	Screws <b>X 16</b>	Door Bumpers <b>X 8</b>	Under Mount Drawer Glide Kit <b>X 1</b>	Glide Supports <b>X 2</b>	Glide Locking Kit <b>X 1</b>

## Recommended Tools:



Wood Glue



Screw Driver



Rubber Mallet



Compressor



Nail Gun



Stapler



Senco Fastener

## Safety Tools:

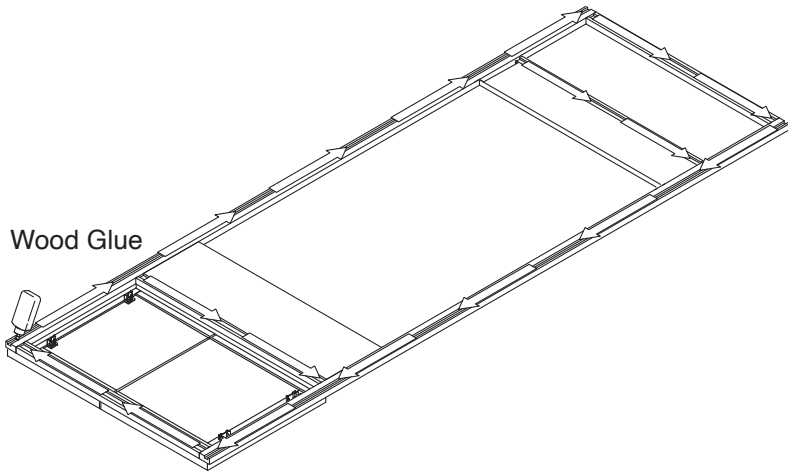


Eye Wear

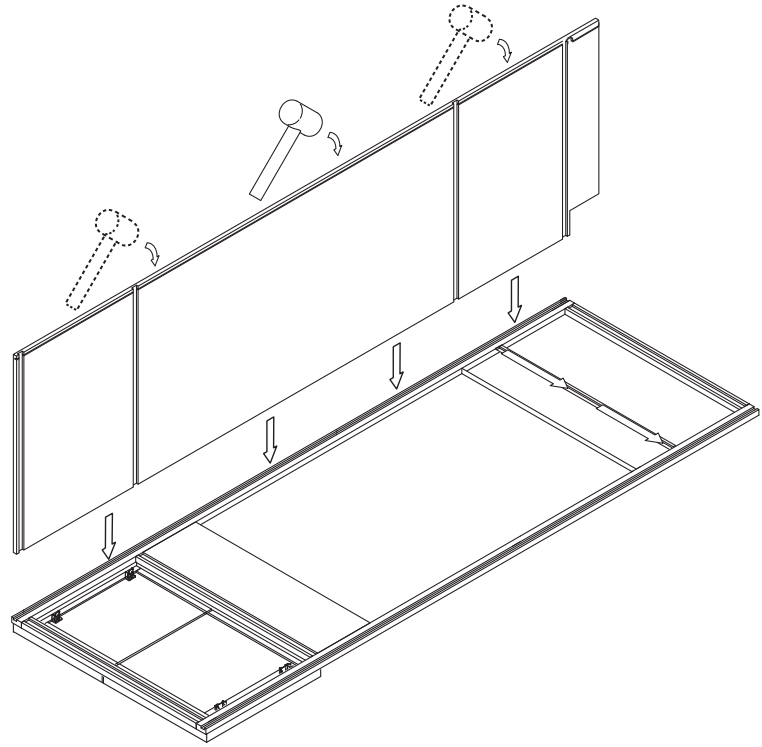


Gloves

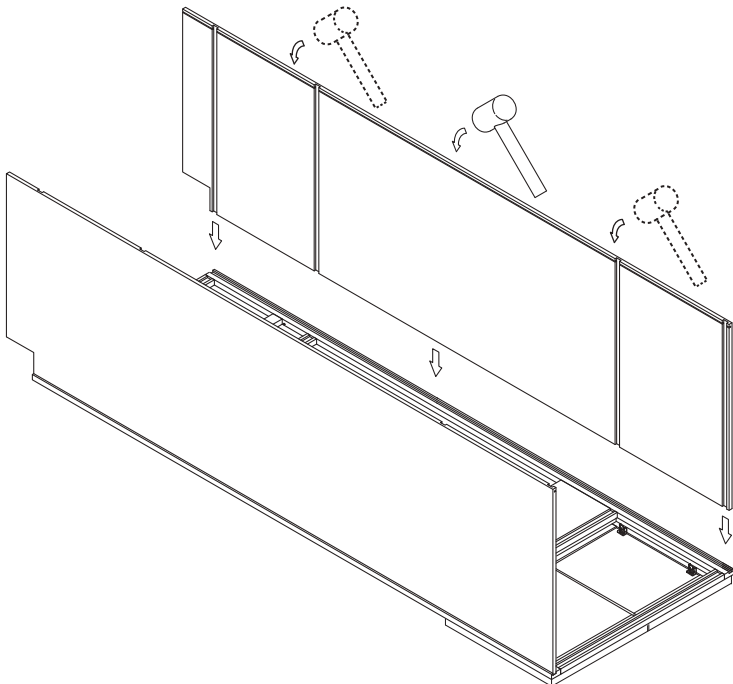
### Step 1:



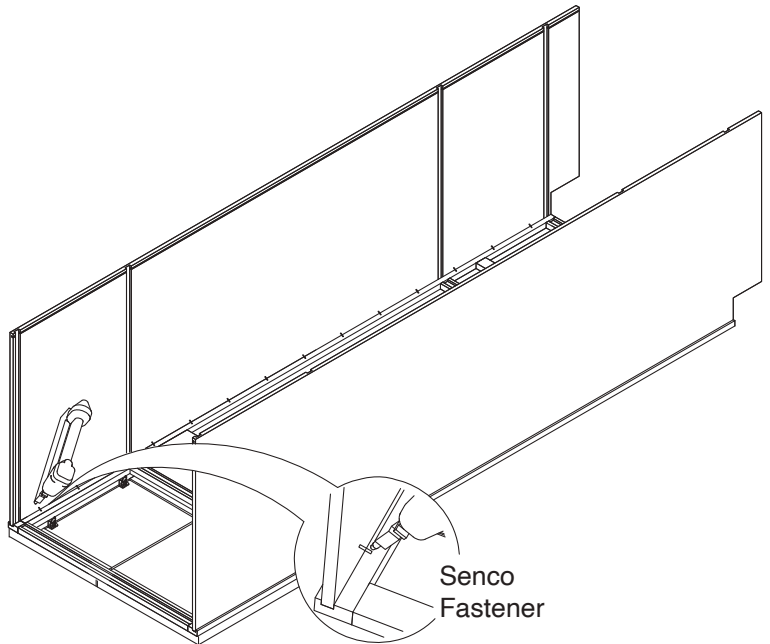
### Step 2:



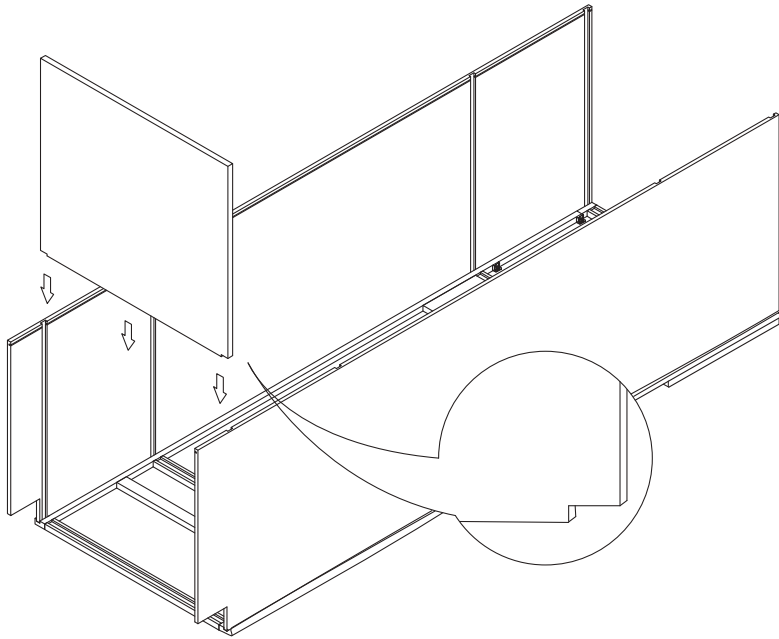
### Step 3:



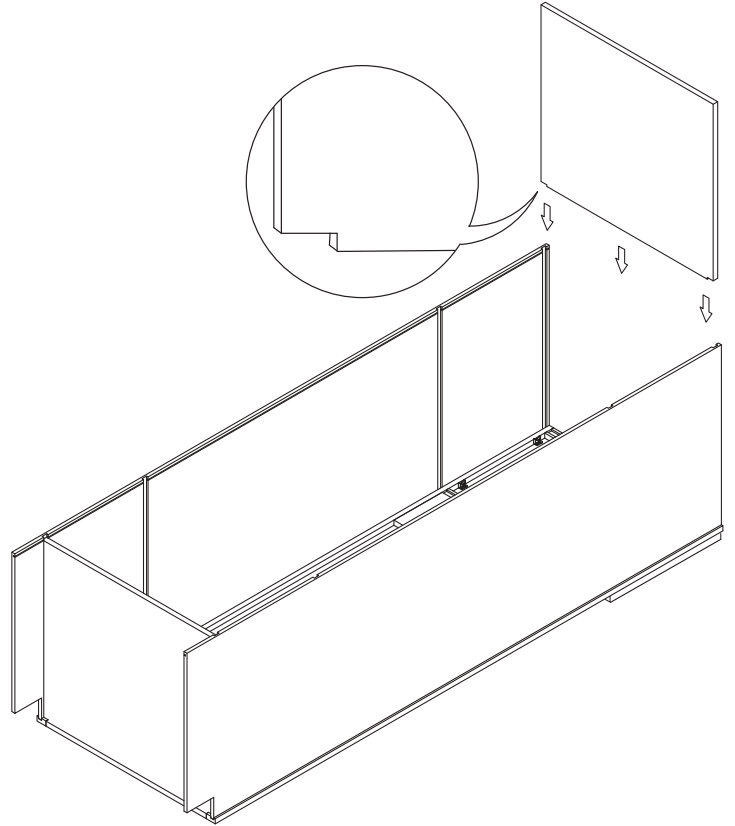
### Step 4:



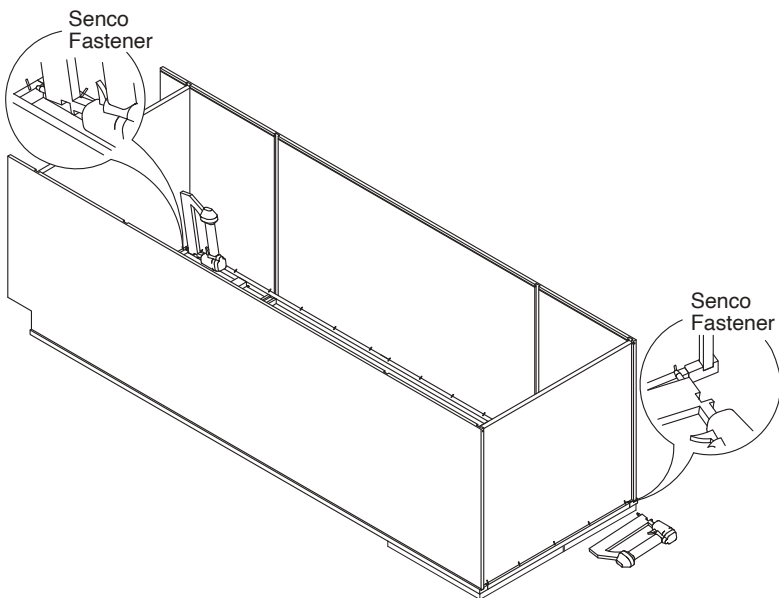
### Step 5:



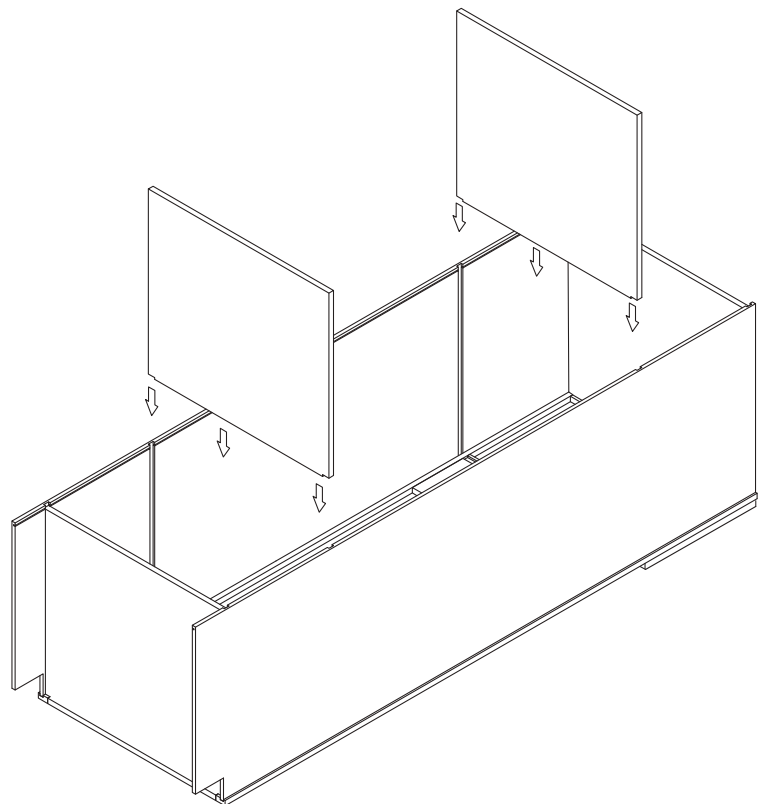
### Step 6:



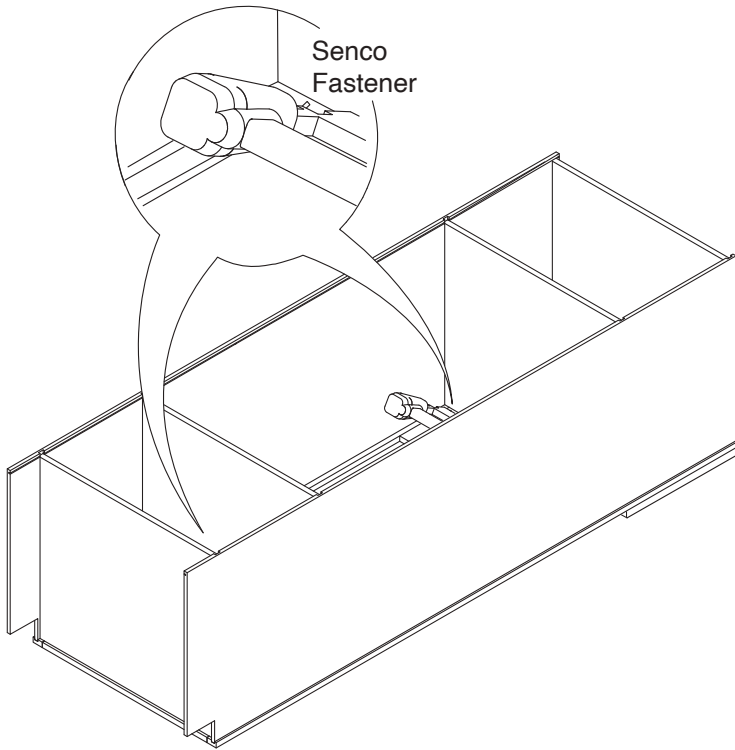
### Step 7:



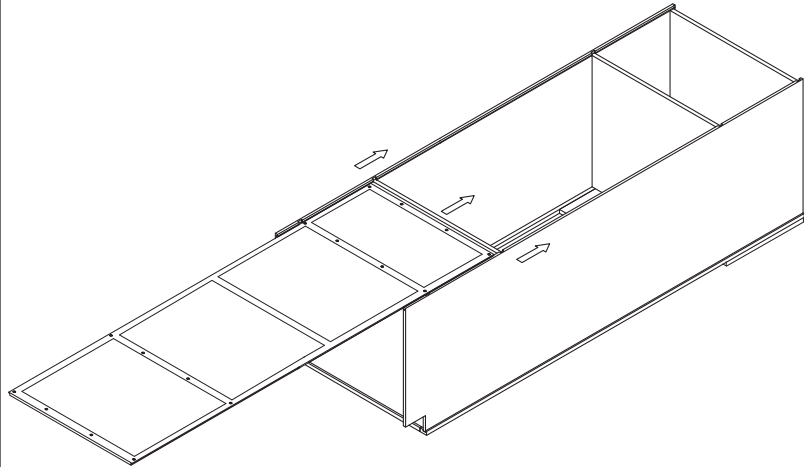
### Step 8:



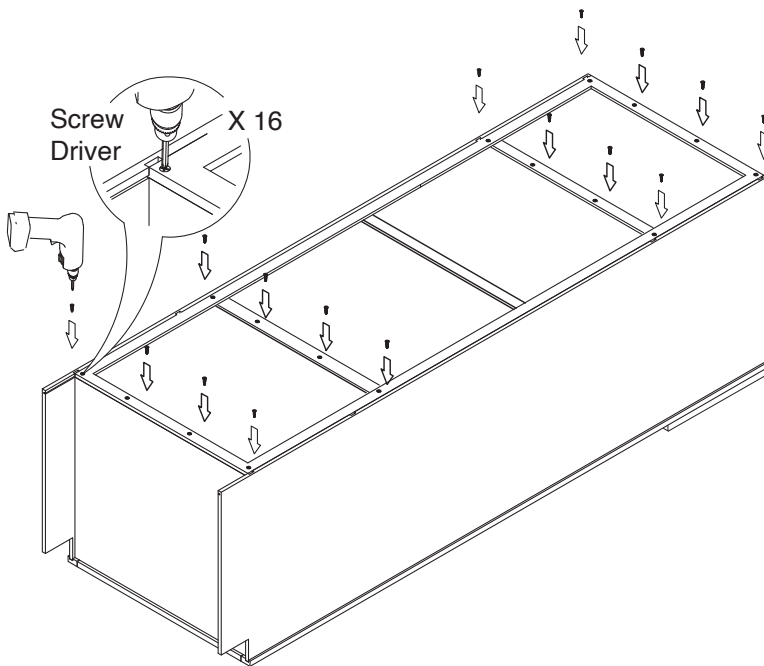
### Step 9:



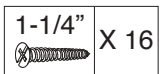
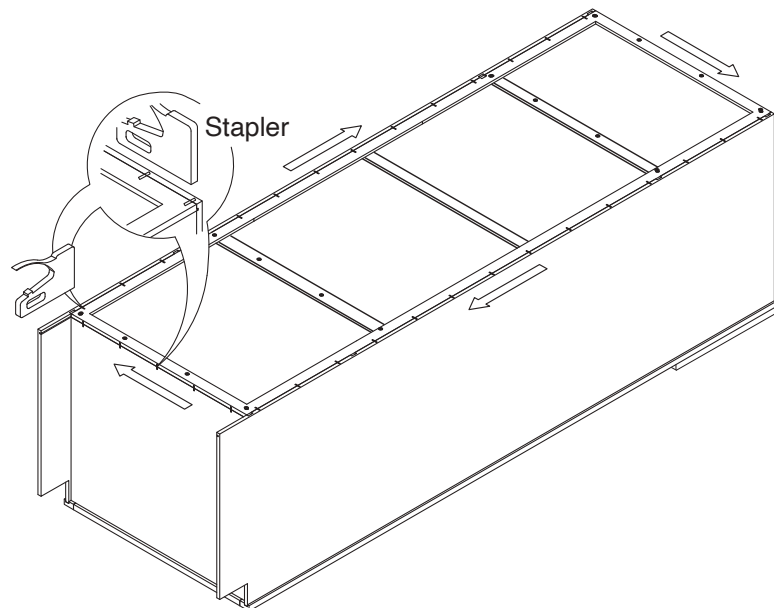
### Step 10:



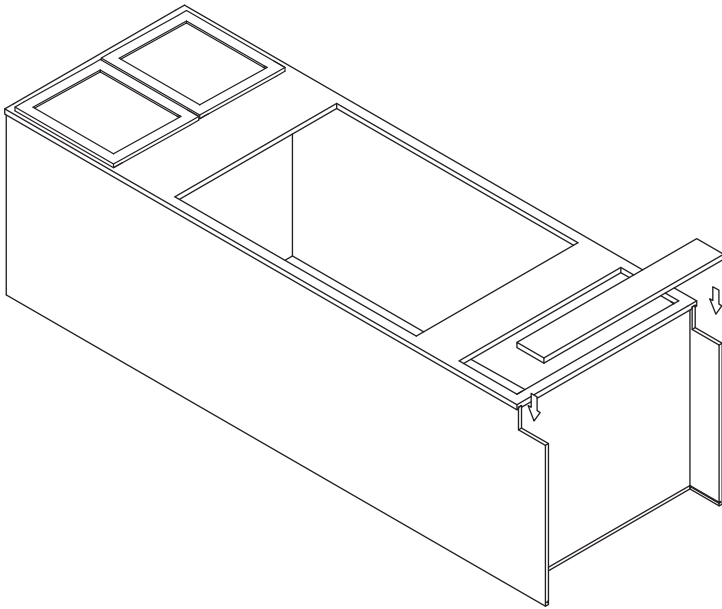
### Step 11:



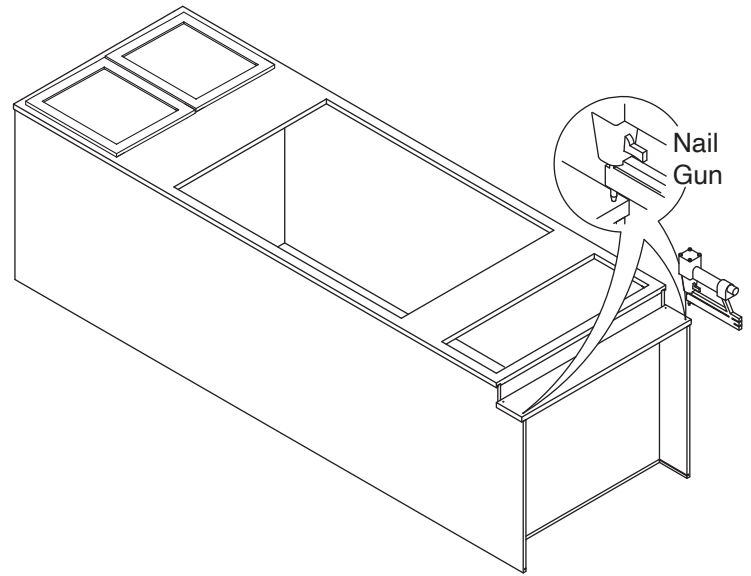
### Step 12:



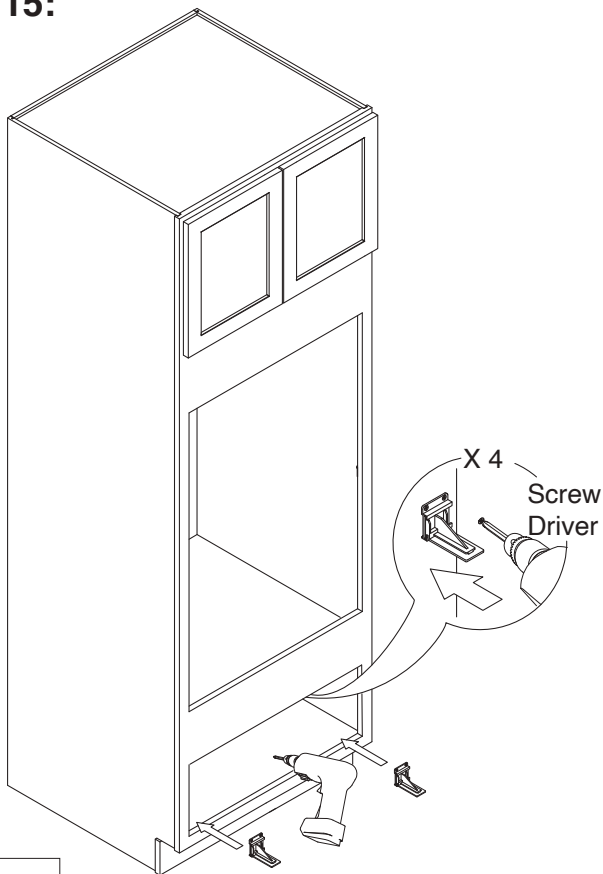
### Step 13:



### Step 14:

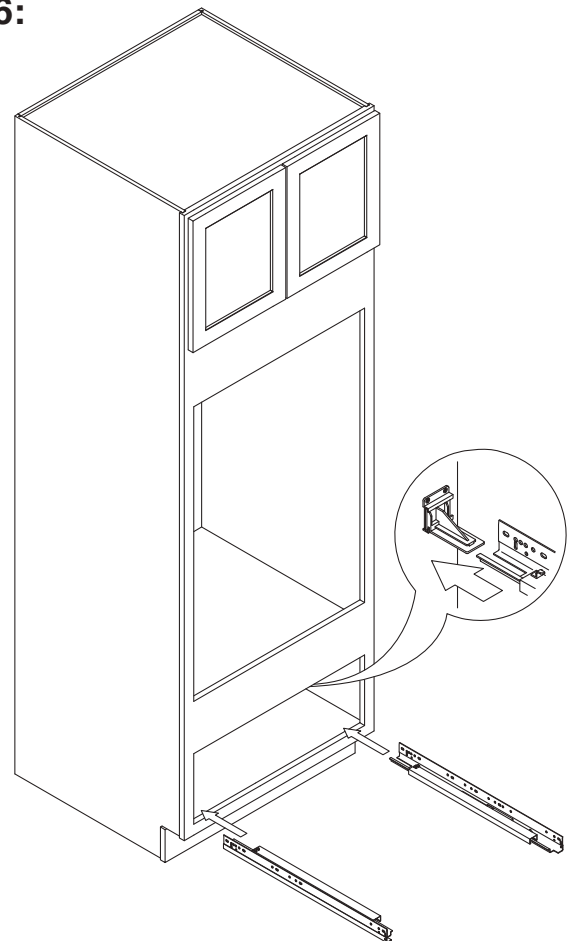


### Step 15:

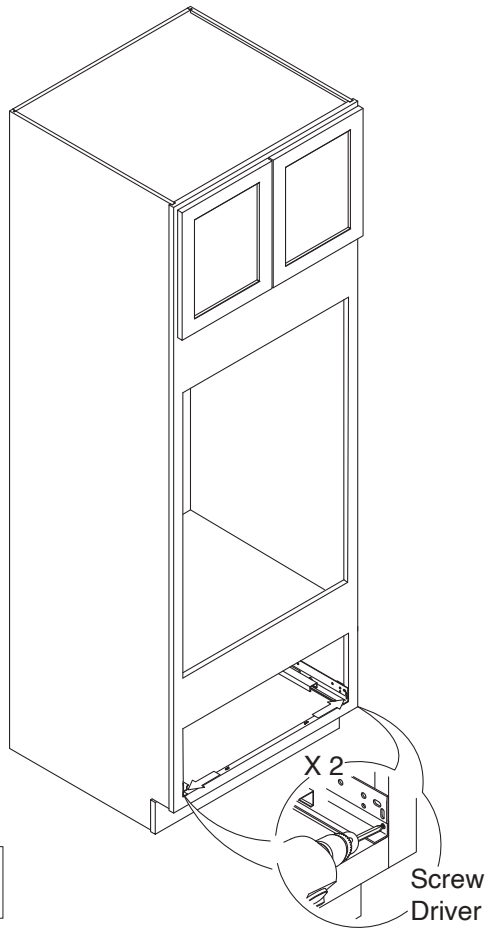


1/2" X 4

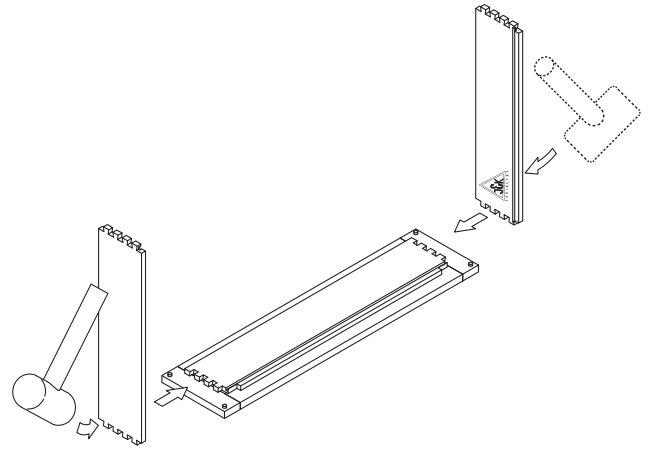
### Step 16:



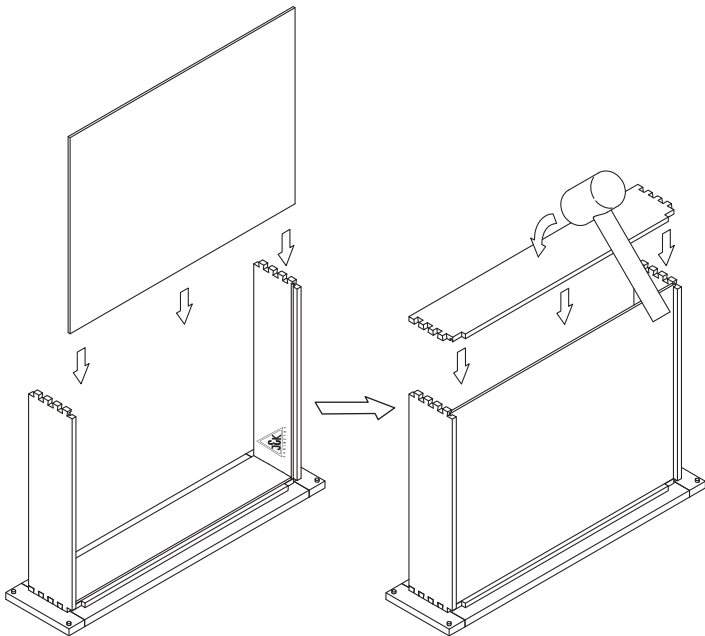
### Step 17:



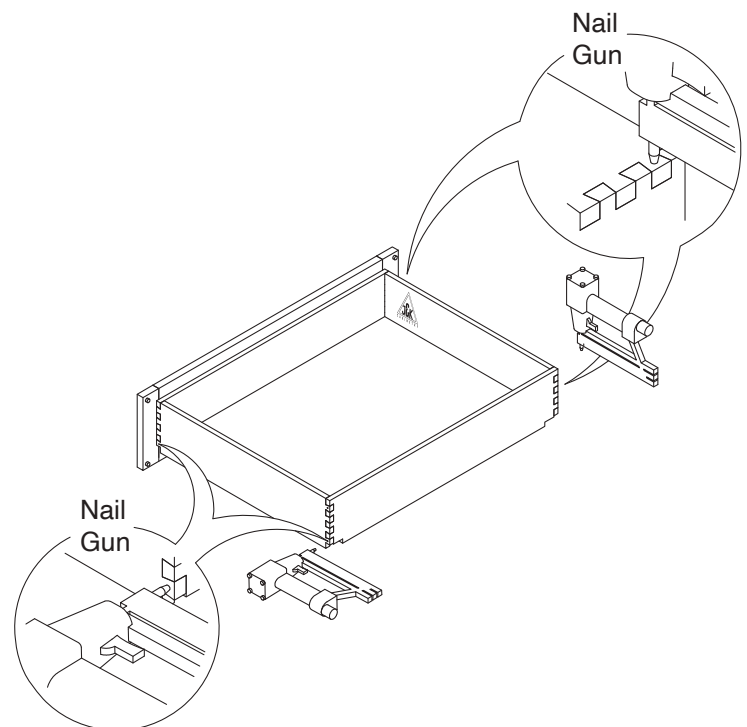
### Step 18:



### Step 19:

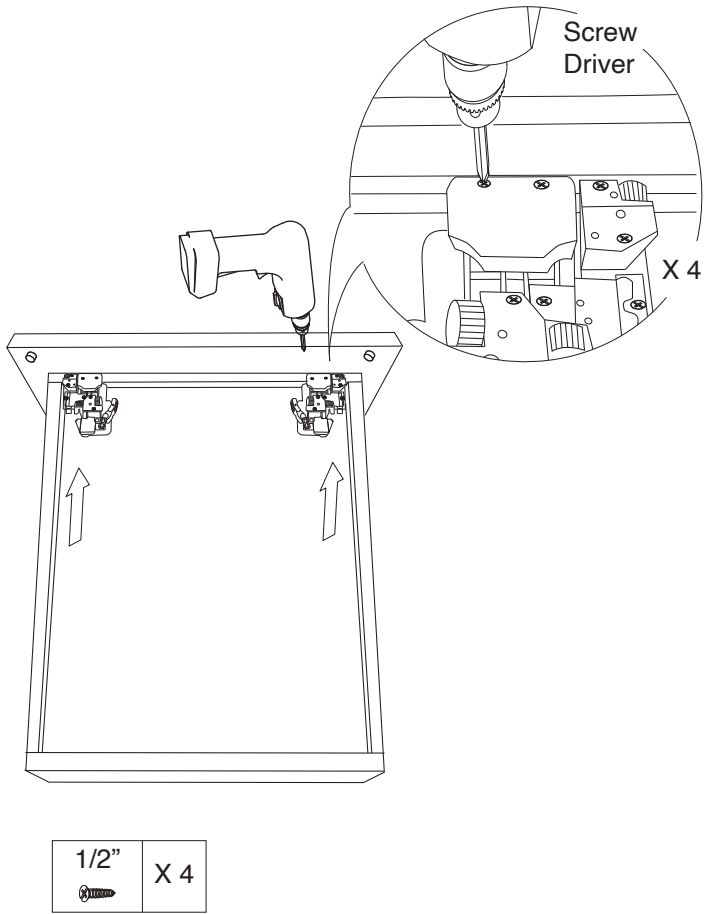


### Step 20:

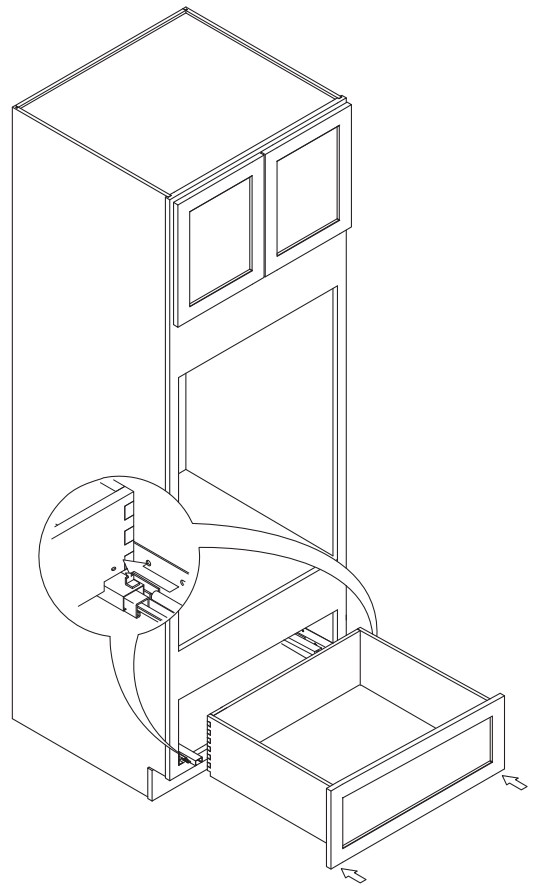




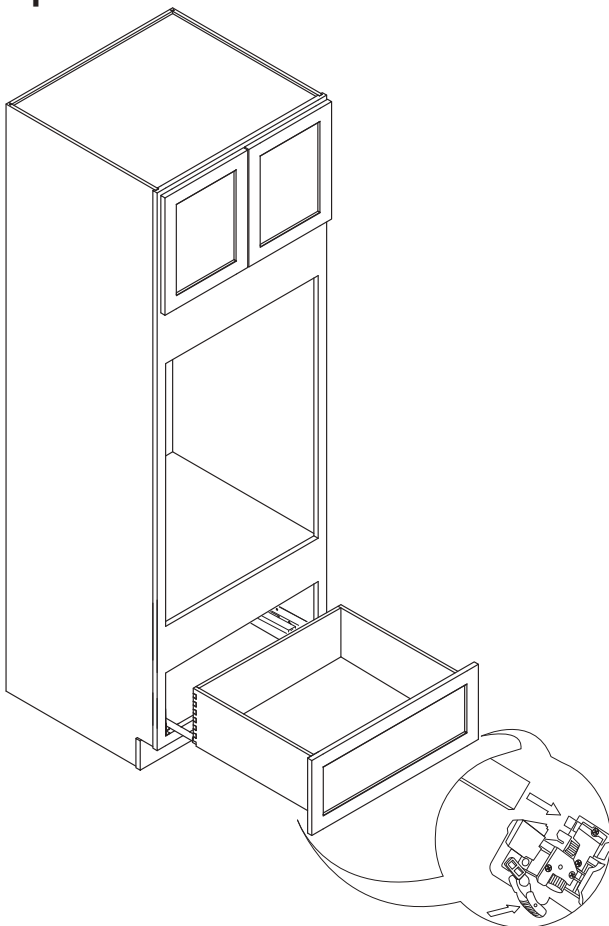
### Step 21:



### Step 22:



### Step 23:



### Step 24:

