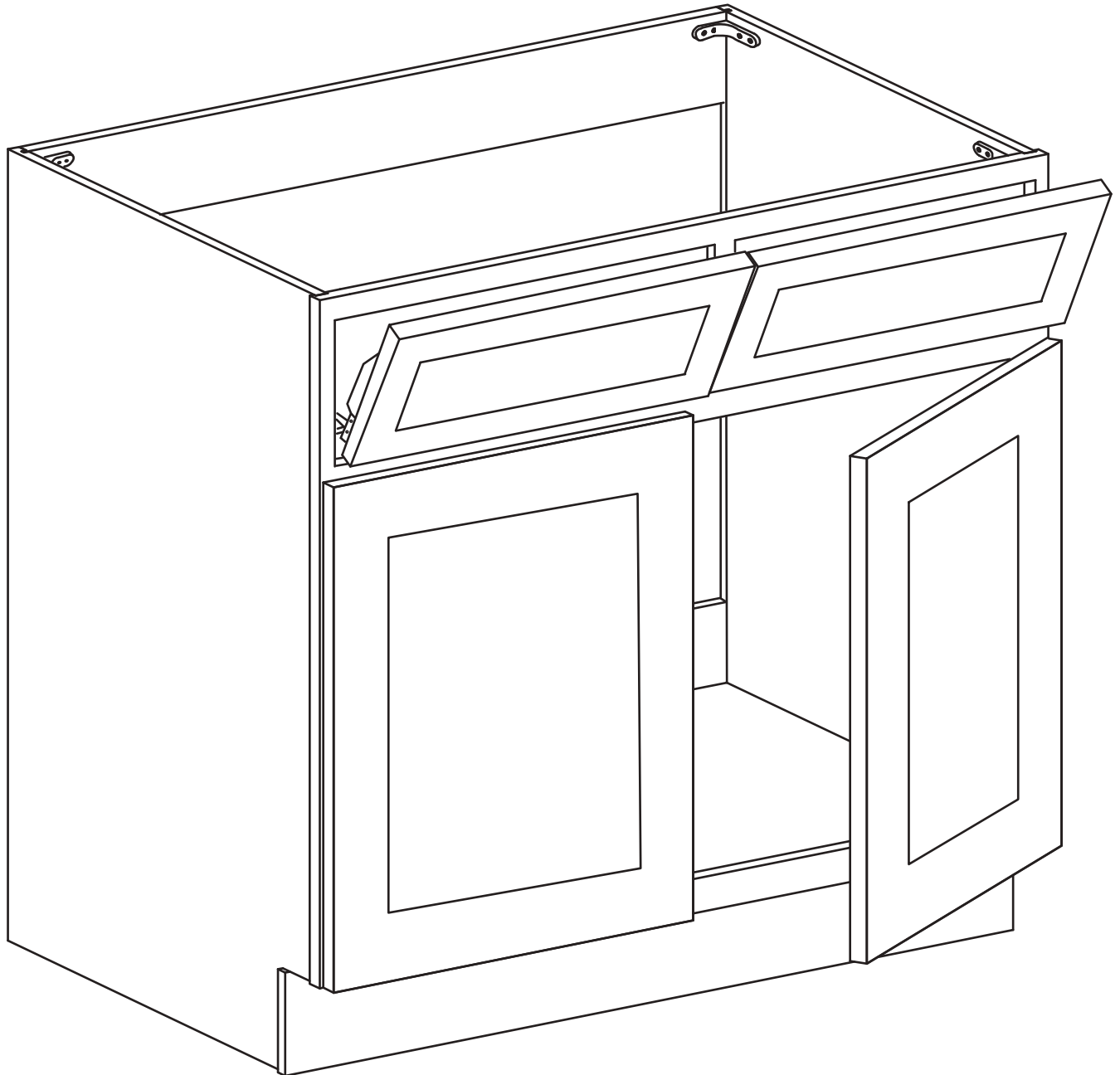


# Assembly Instruction

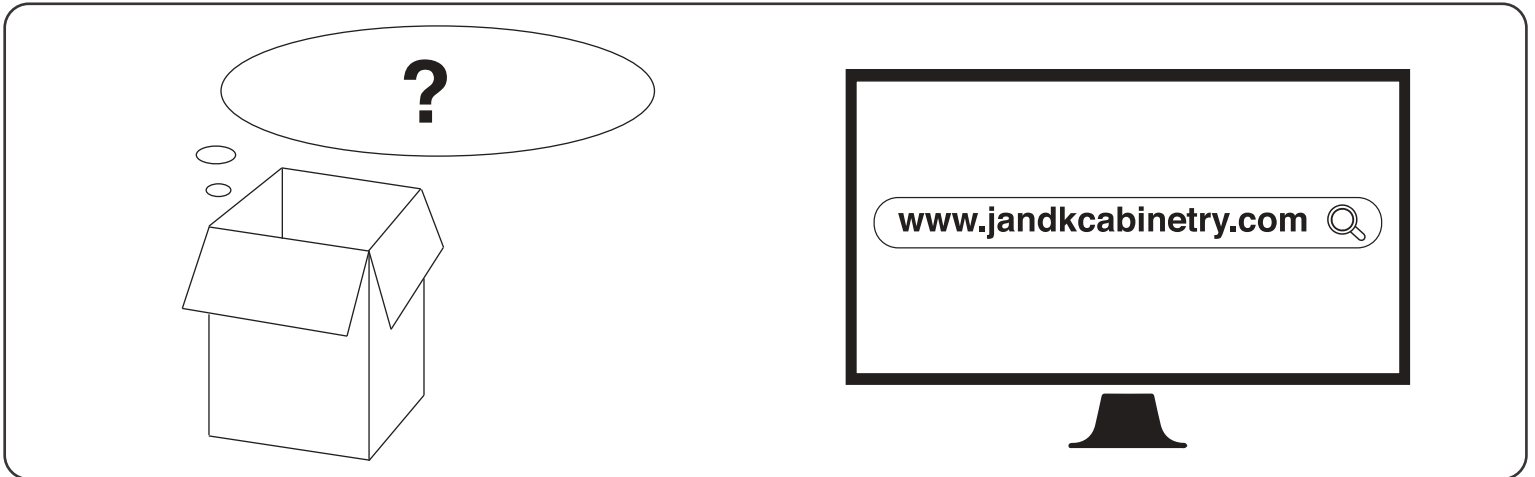
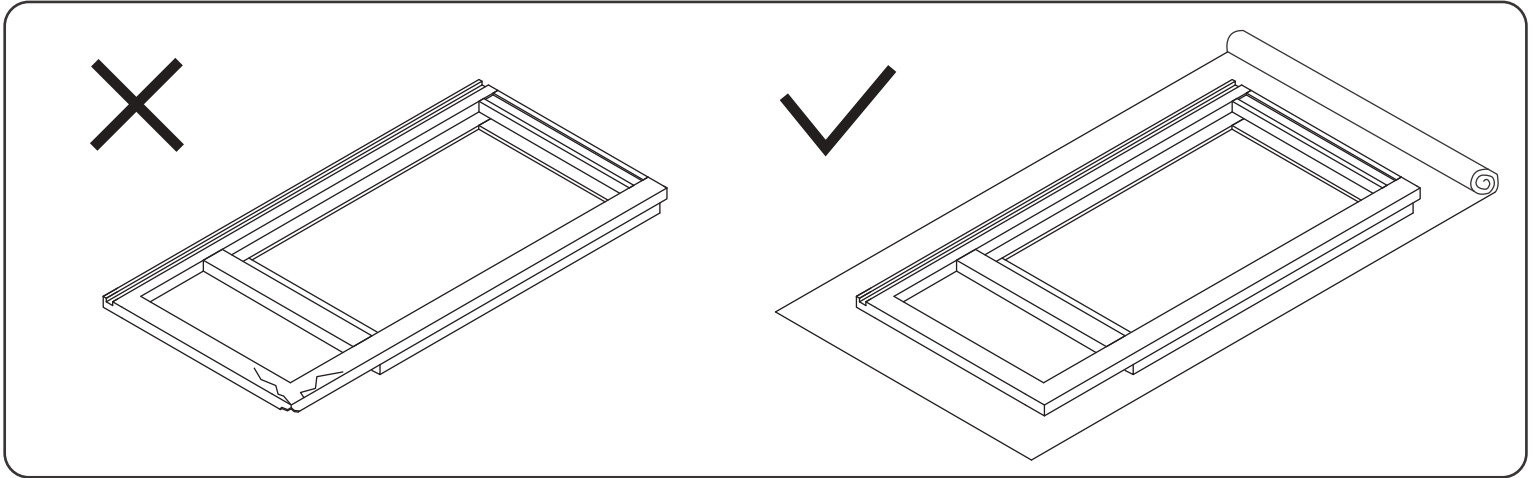
2020 Edition



## Sink Base With 2 Doors

Item Code:

SB30, SB33, SB36, SB42



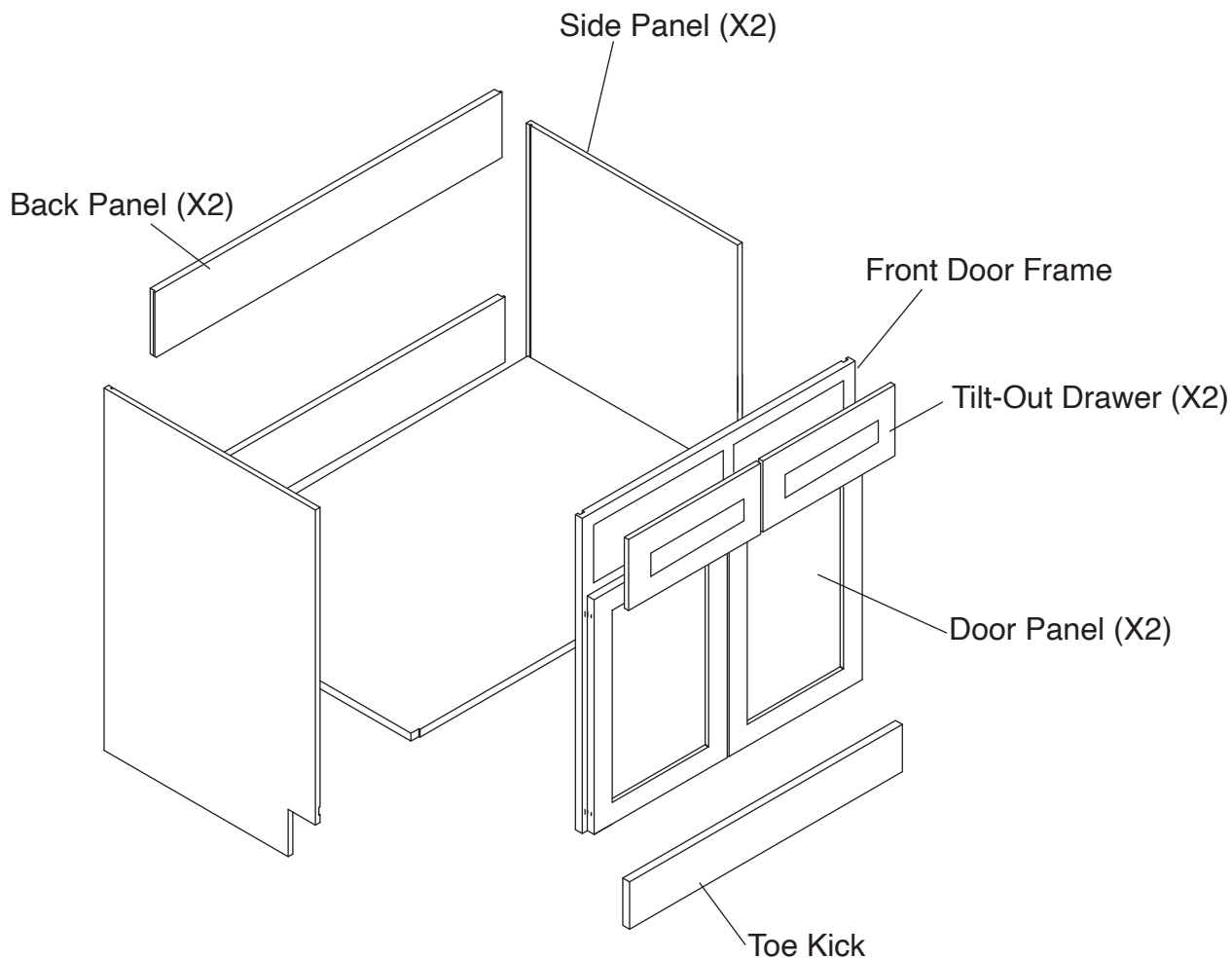
**! WARNING:**

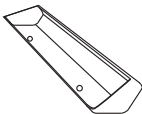






1. Please be careful when opening the box with boxcutter and/or blade.
2. J&K Cabinetry is not responsible for any injuries and/or damages incurred during cabinet assembly.

**? SERVICE:**

During the installation process, if you encounter any problems, please go to our official website: [www.jandkcabinetry.com](http://www.jandkcabinetry.com), check the full version assembly instruction or watch the assembly video online.

# Included Items:



						
Trays X 2	90° Brackets X 4	Screws X 20	Screws X 16	Screws X 4	Door Bumpers X 12	Hinges X 4

## Recommended Tools:



Wood Glue



Screw Driver



Rubber Mallet



Compressor

## Safety Tools:



Eye Wear



Nail Gun



Stapler

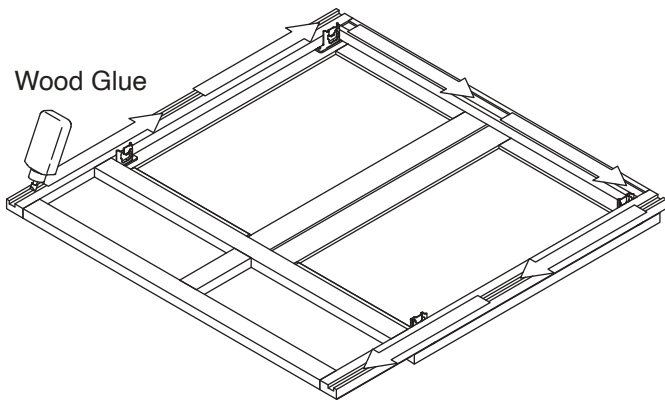


Senco Fastener

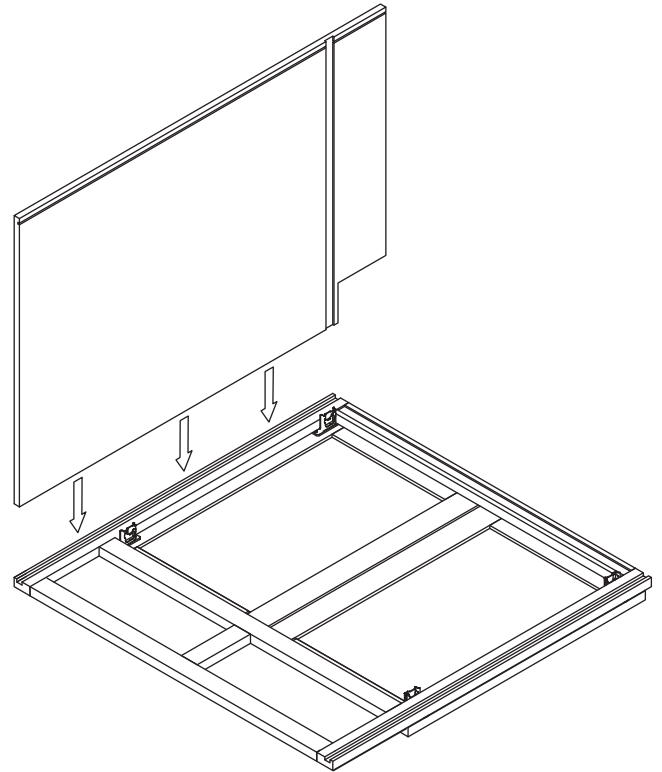


Gloves

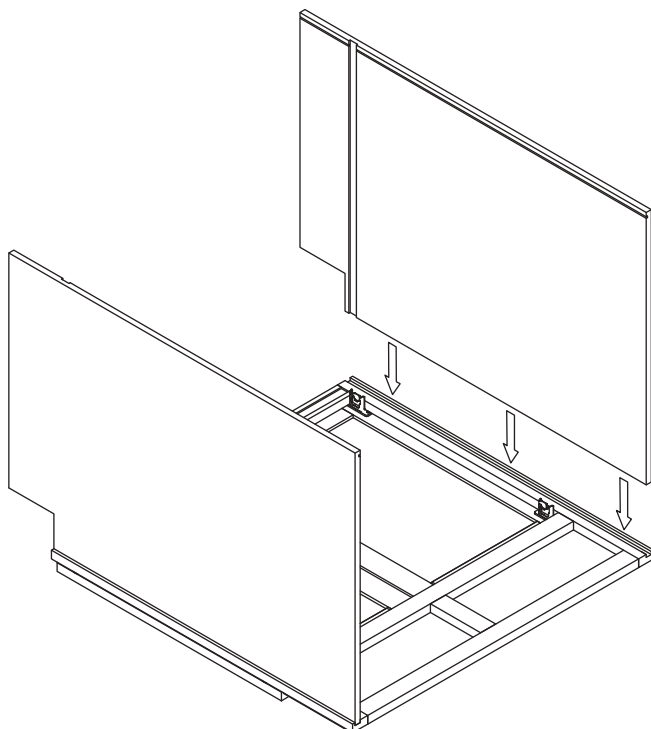
**Step 1:**



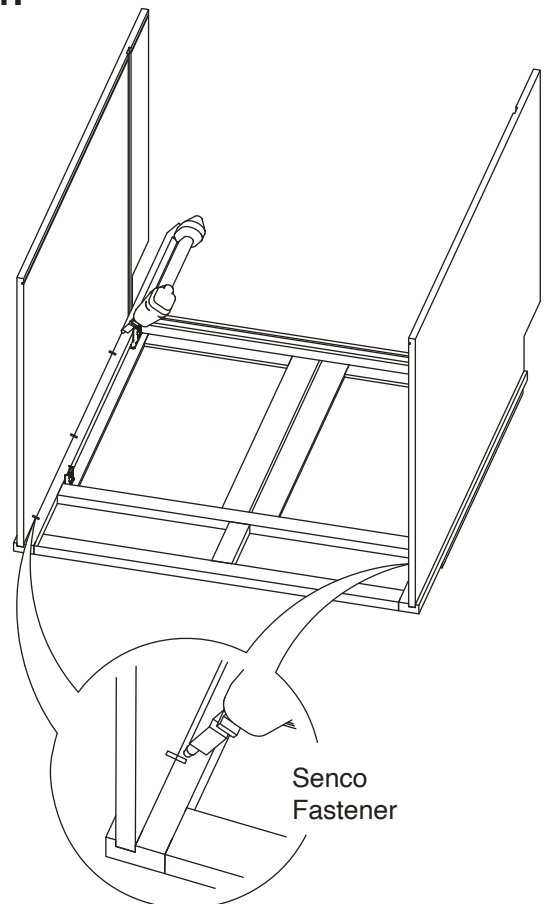
**Step 2:**



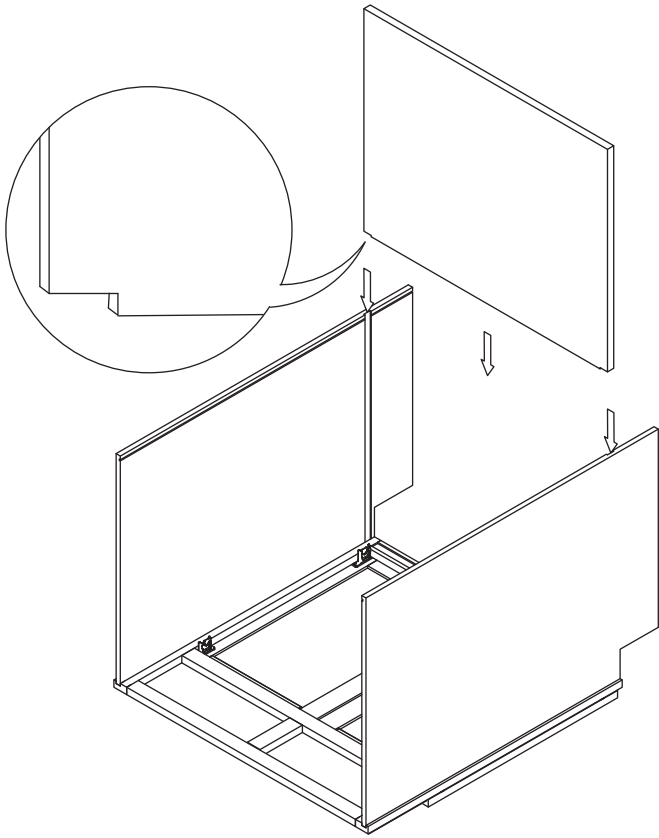
**Step 3:**



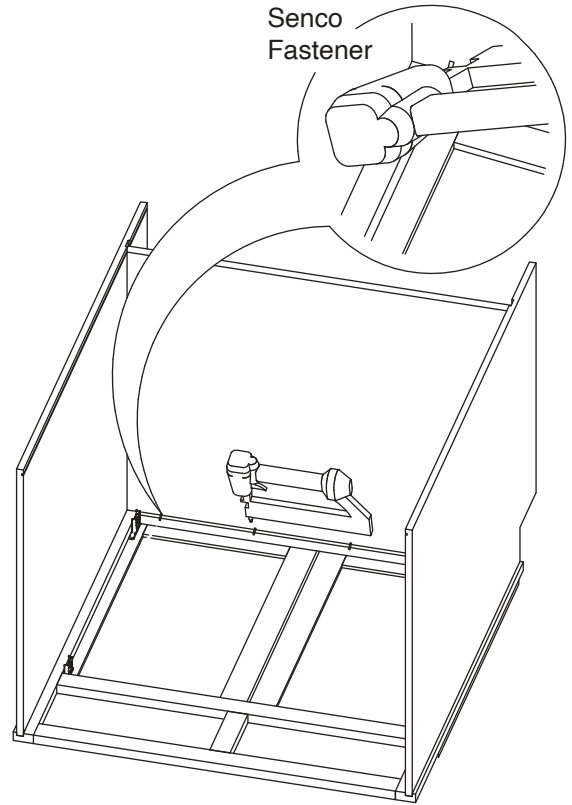
**Step 4:**



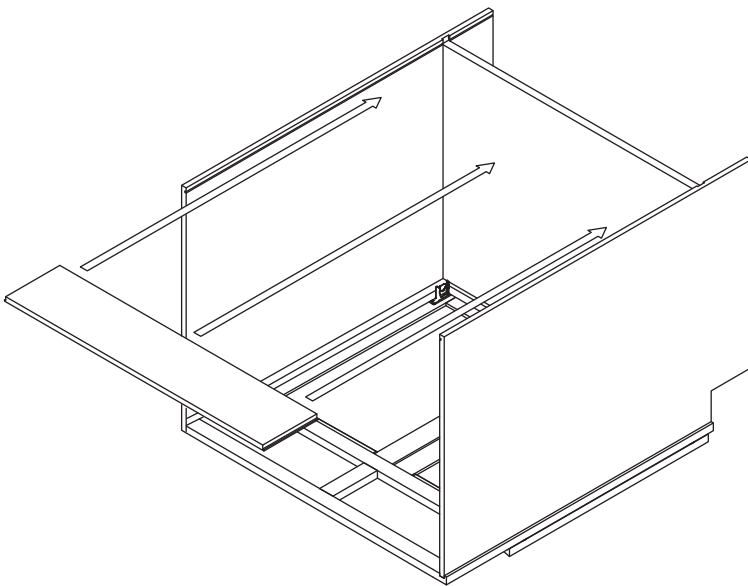
**Step 5:**



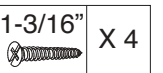
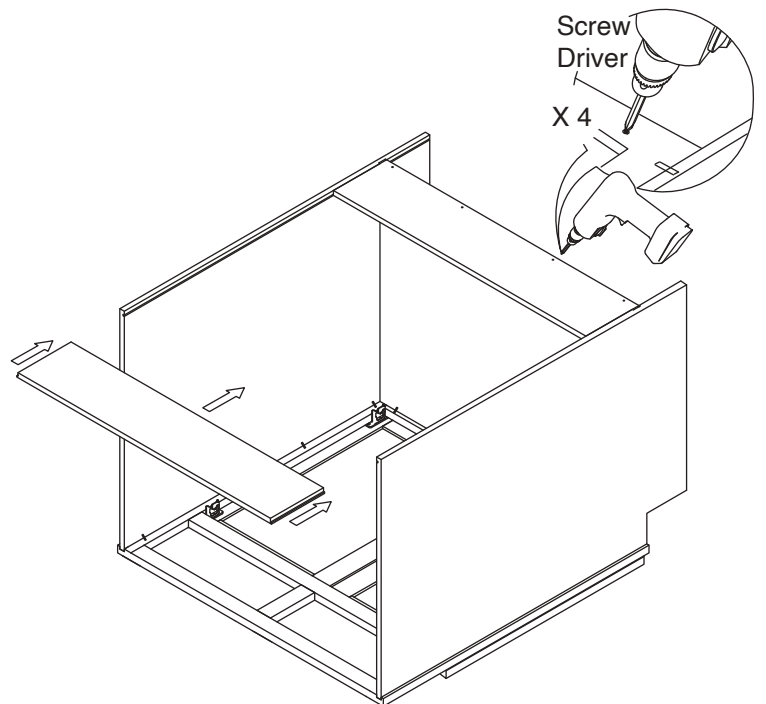
**Step 6:**



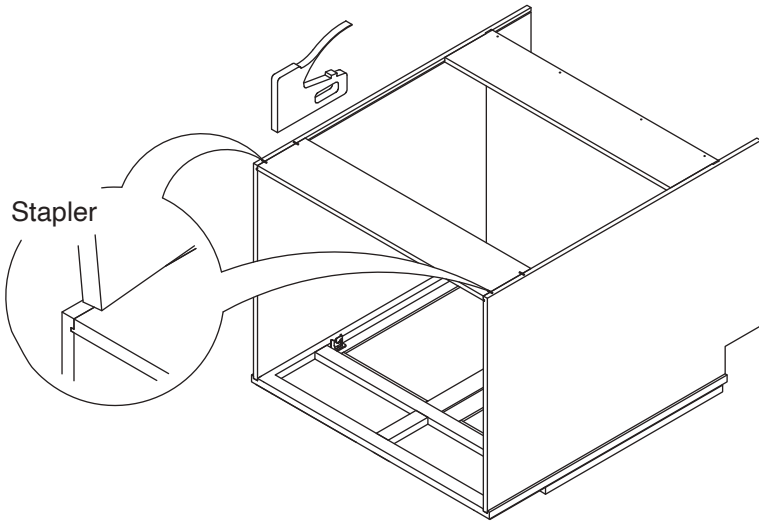
**Step 7:**



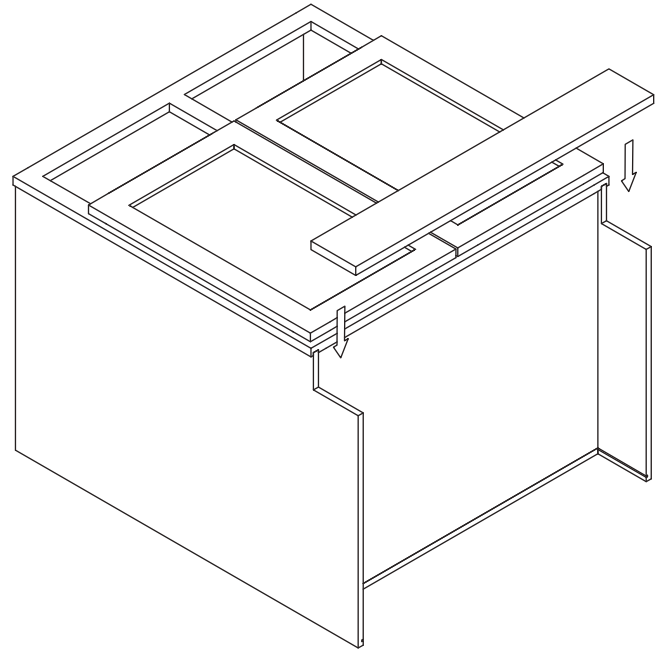
**Step 8:**



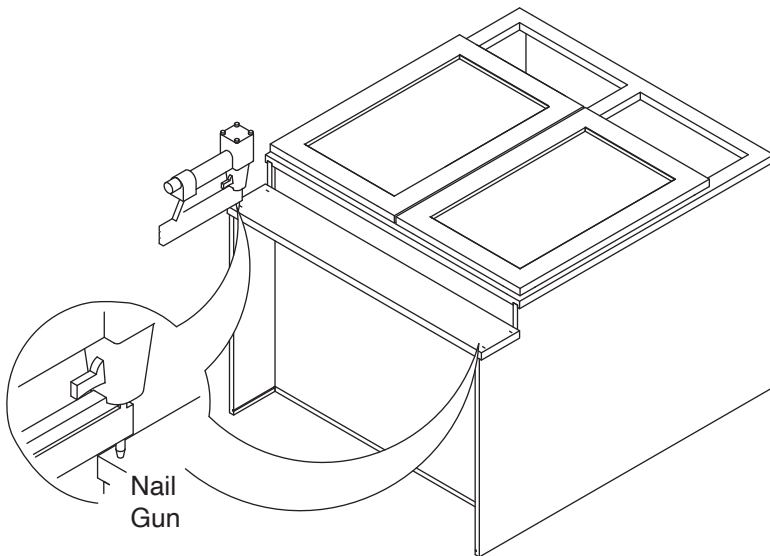
**Step 9:**



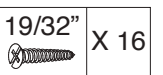
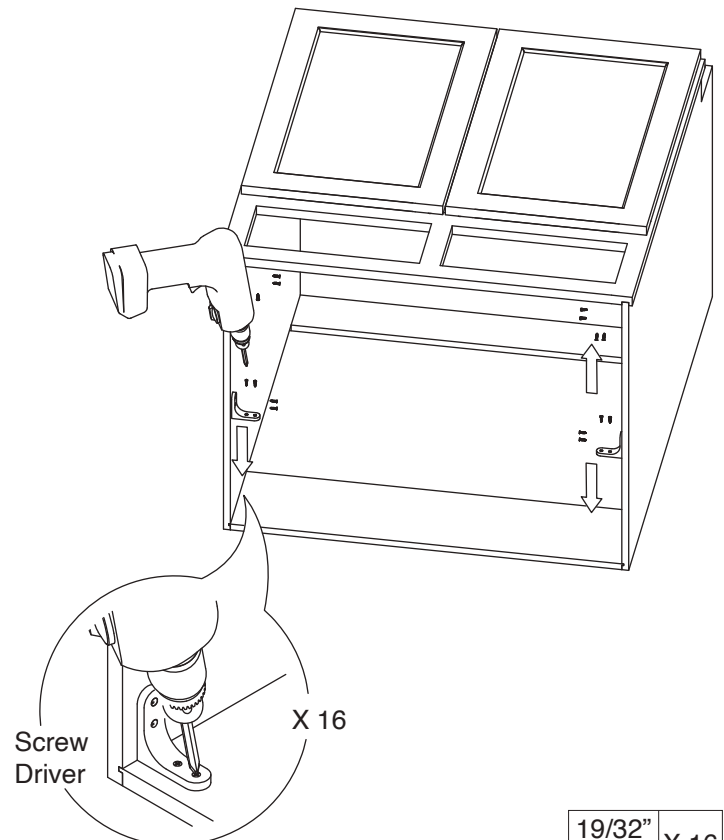
**Step 10:**



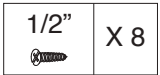
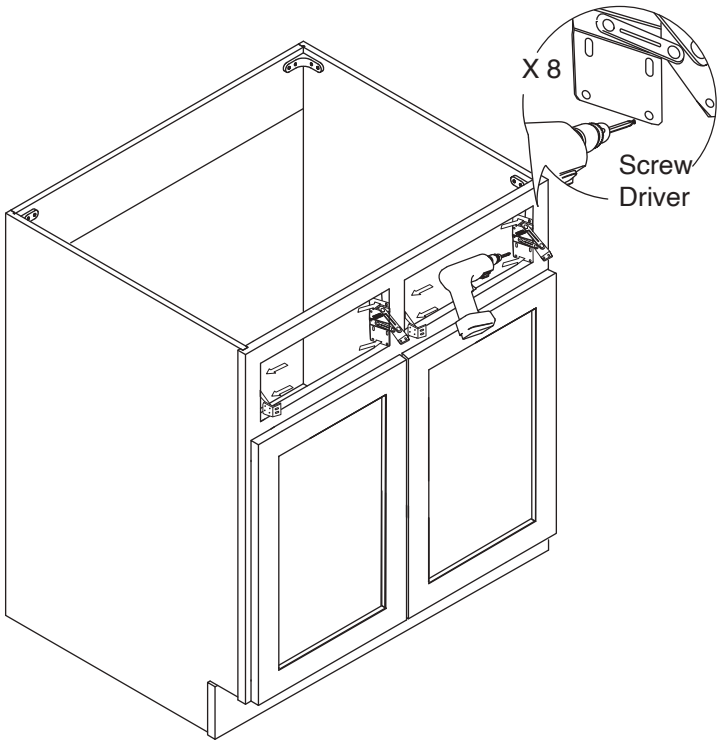
**Step 11:**



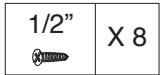
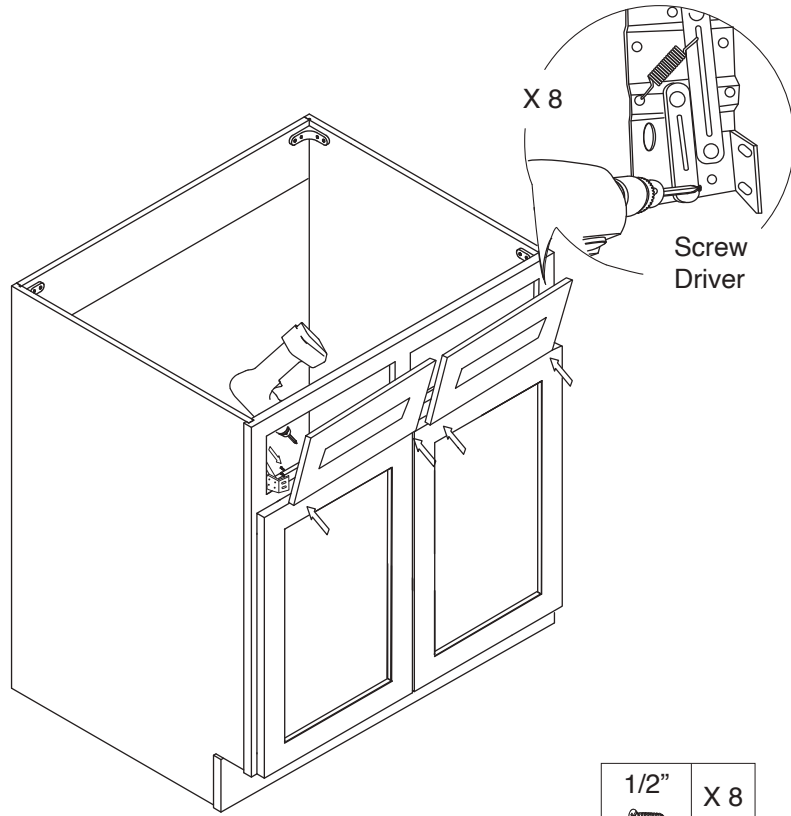
**Step 12:**



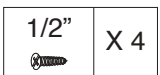
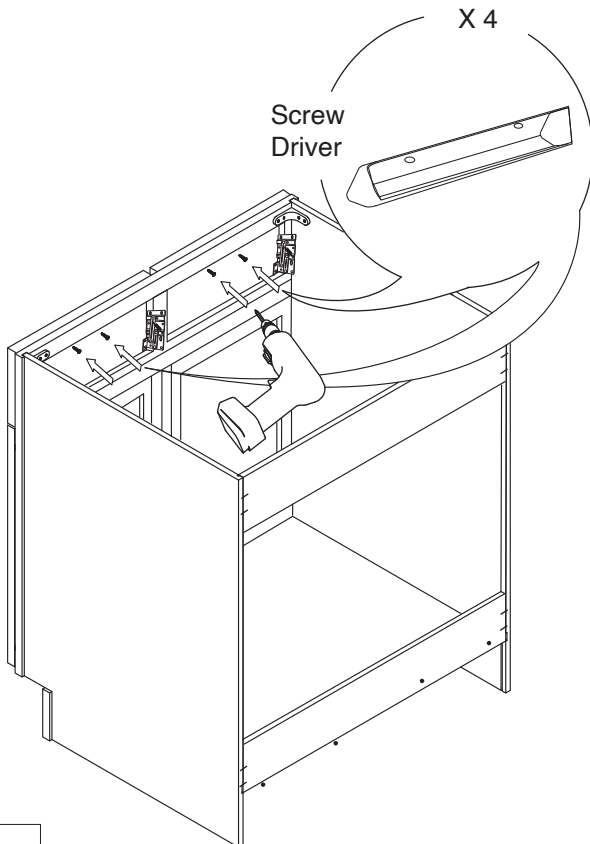
### Step 13:



### Step 14:



### Step 15:



### Step 16:

