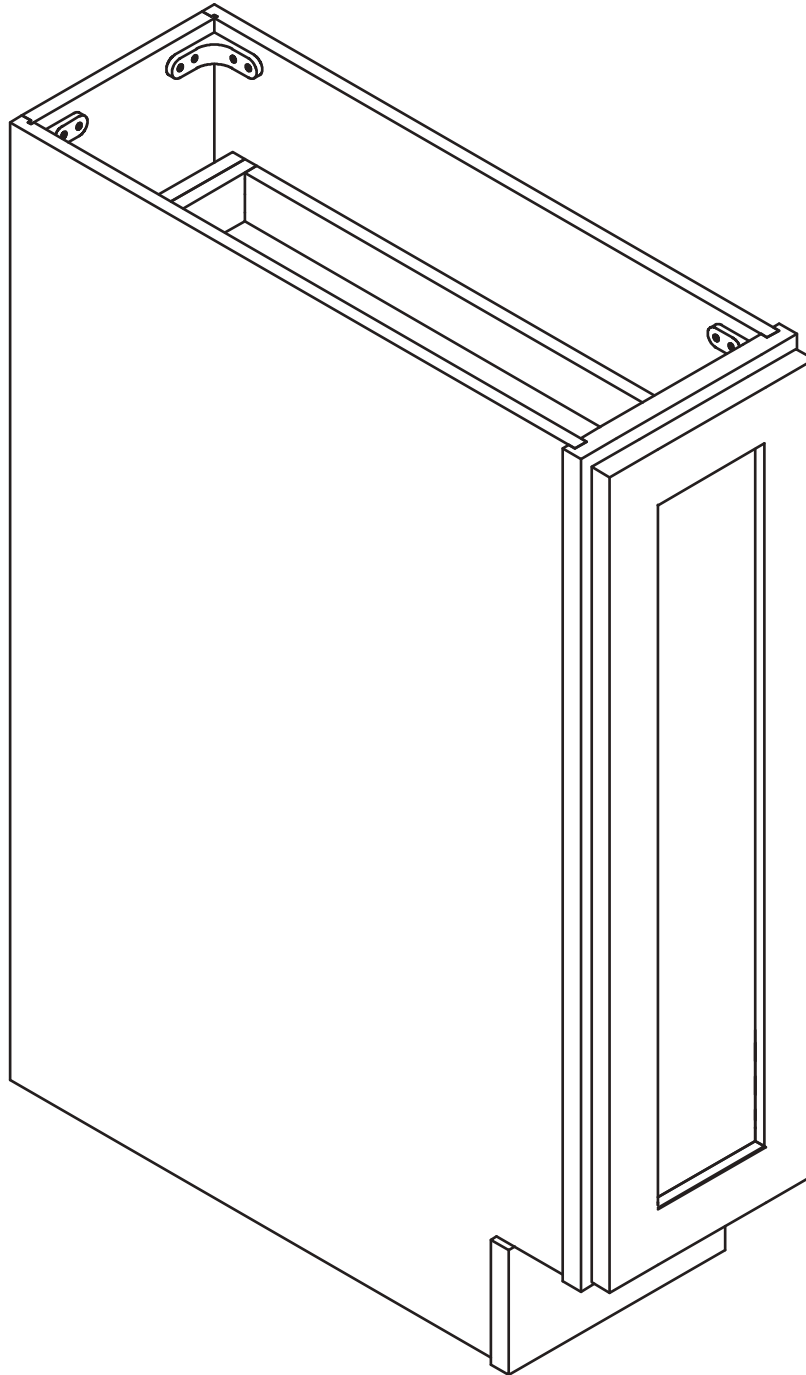


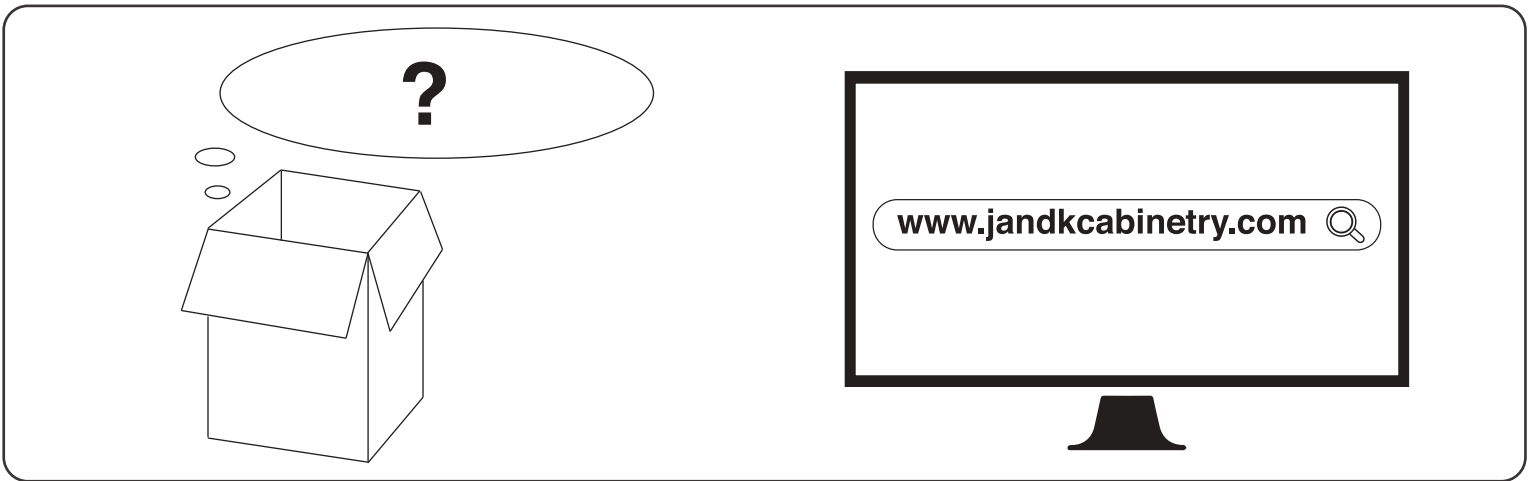
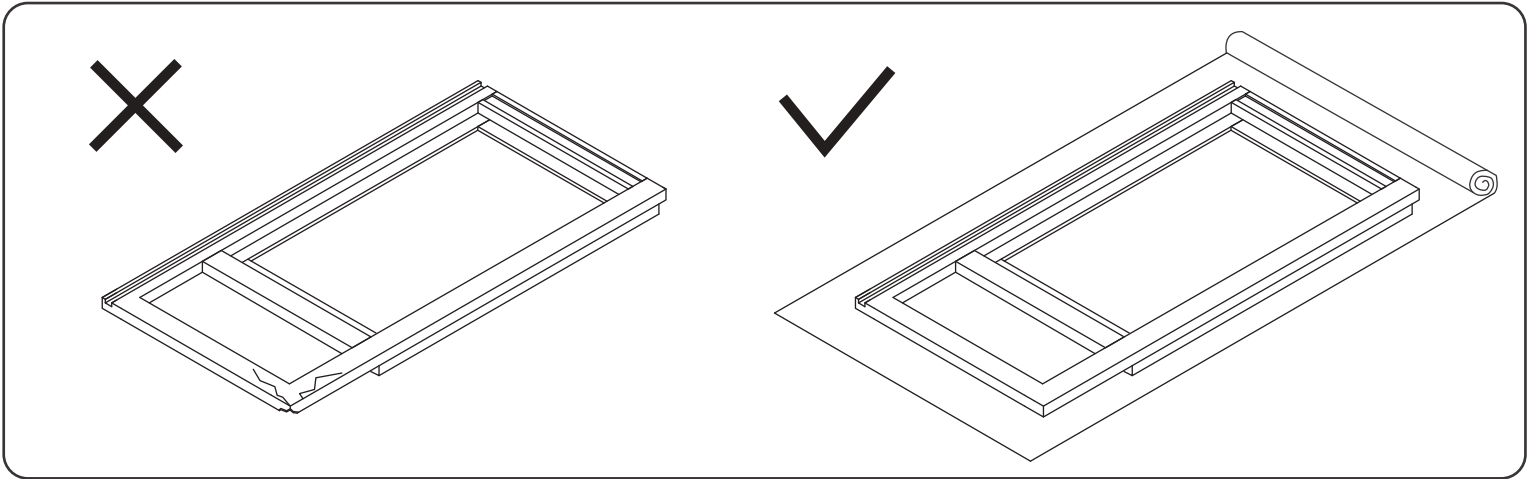
# Assembly Instruction

2021 Edition



## Spice Pull Out Base Cabinet

Item Code:  
SP09



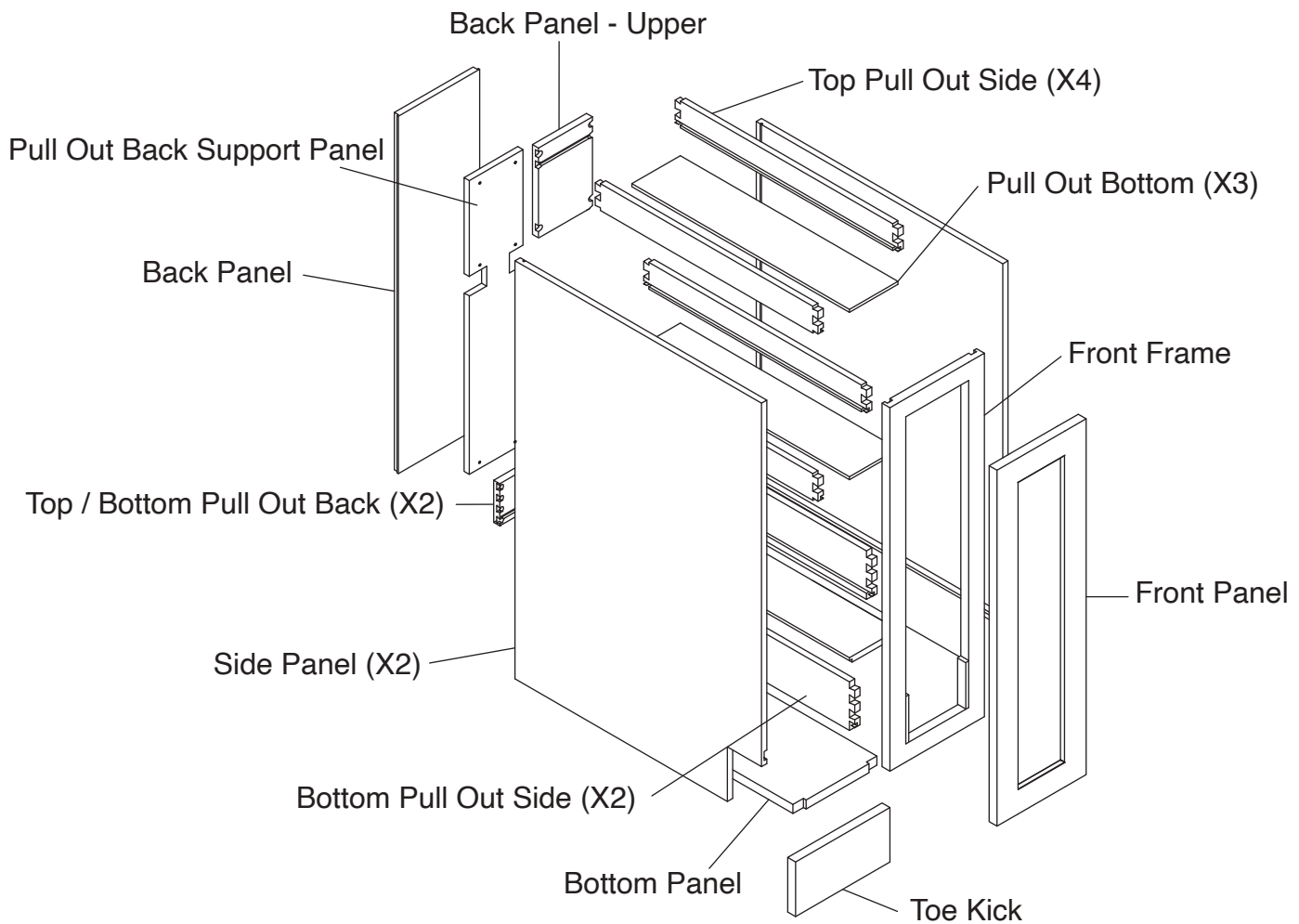
**!** **WARNING:**

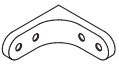





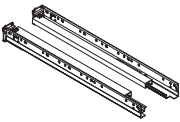
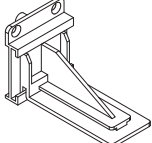
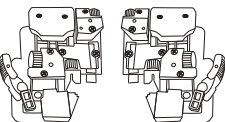
1. Please be careful when opening the box with boxcutter and/or blade.
2. J&K Cabinetry is not responsible for any injuries and/or damages incurred during cabinet assembly.

**?** **SERVICE:**

During the installation process, if you encounter any problems, please go to our official website: [www.jandkcabinetry.com](http://www.jandkcabinetry.com), check the full version assembly instruction or watch the assembly video online.

# Included Items:



								
90° Brackets X 4	Screws X 10	Screws X 16	Screws X 6	Screws X 2	Door Bumpers X 4	Under Mount Drawer Glide Kit X 1	Glide Supports X 2	Glide Locking Kit X 1

## Recommended Tools:



Wood Glue



Screw Driver



Rubber Mallet



Compressor



Nail Gun



Stapler



Senco Fastener

## Safety Tools:

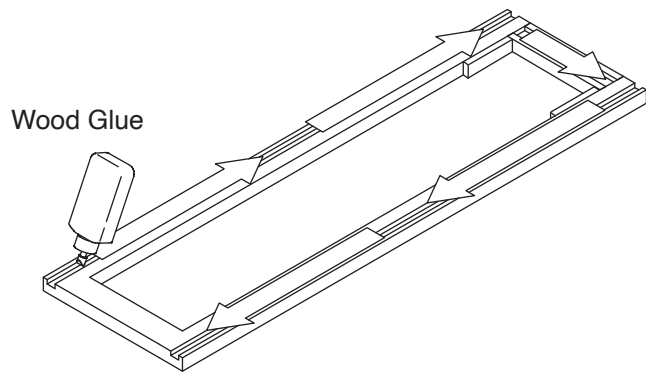


Eye Wear

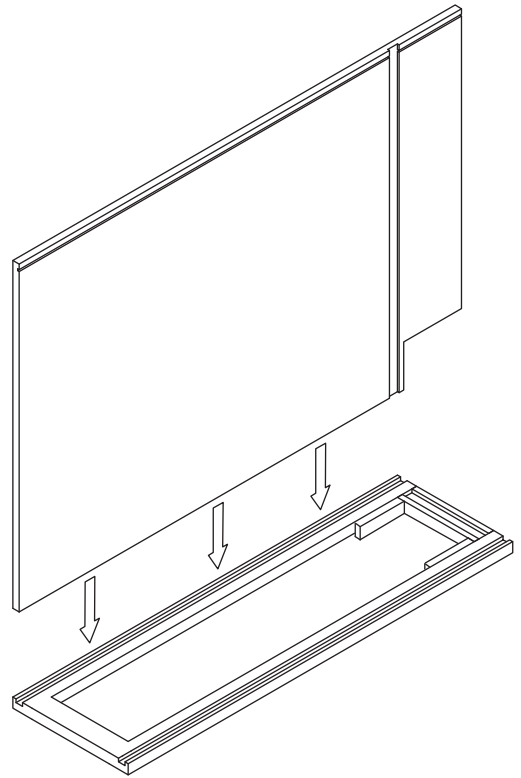


Gloves

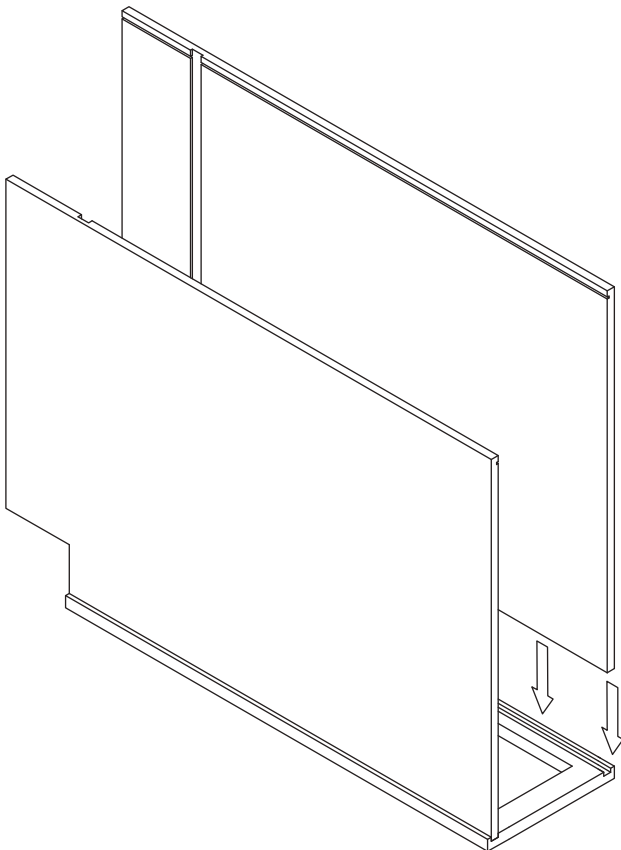
### Step 1:



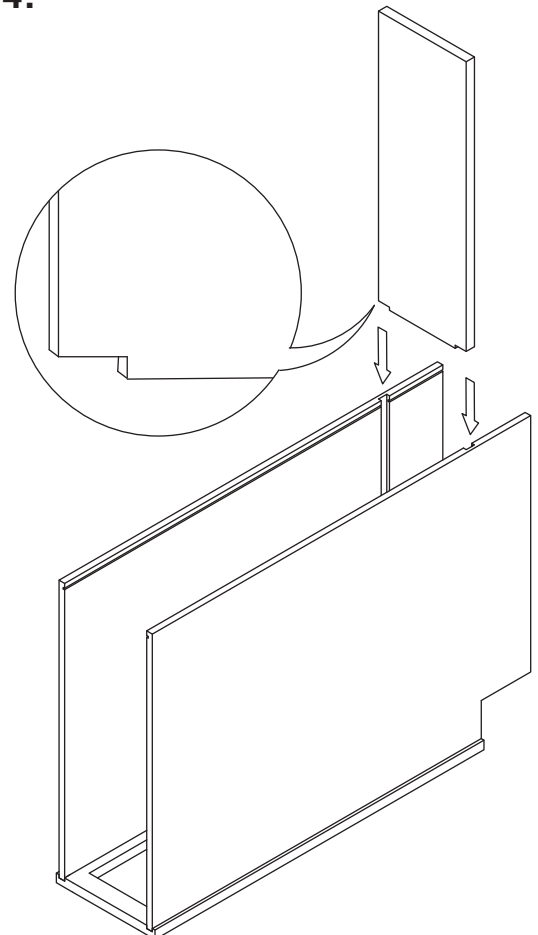
### Step 2:



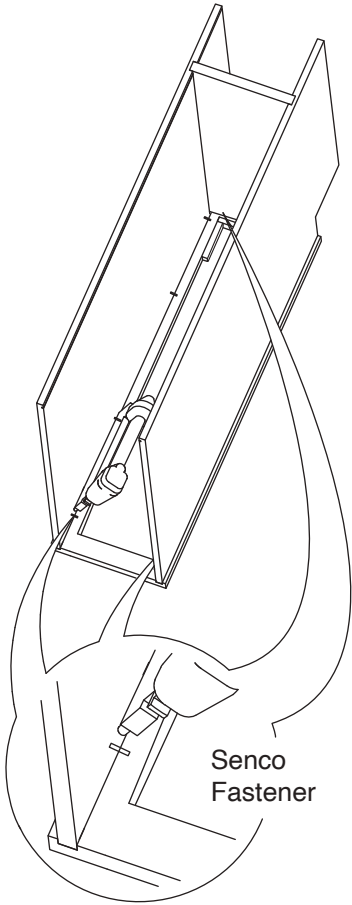
### Step 3:



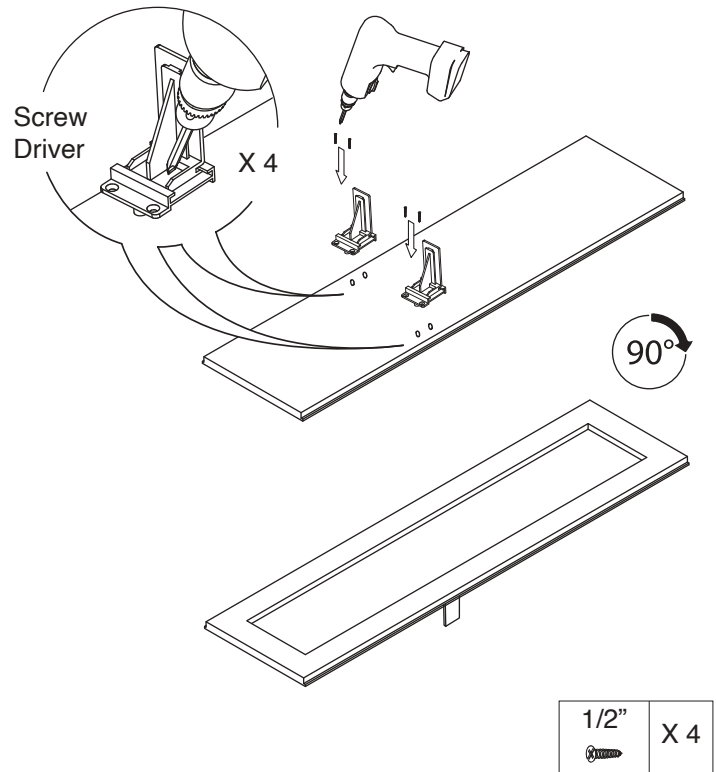
### Step 4:



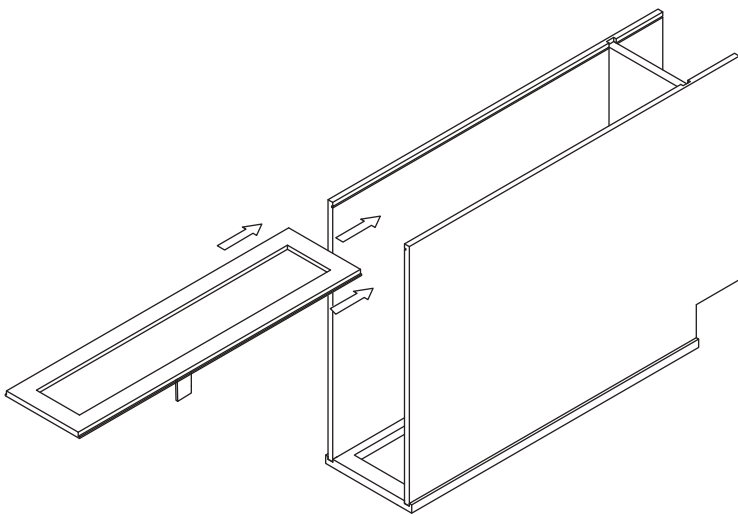
**Step 5:**



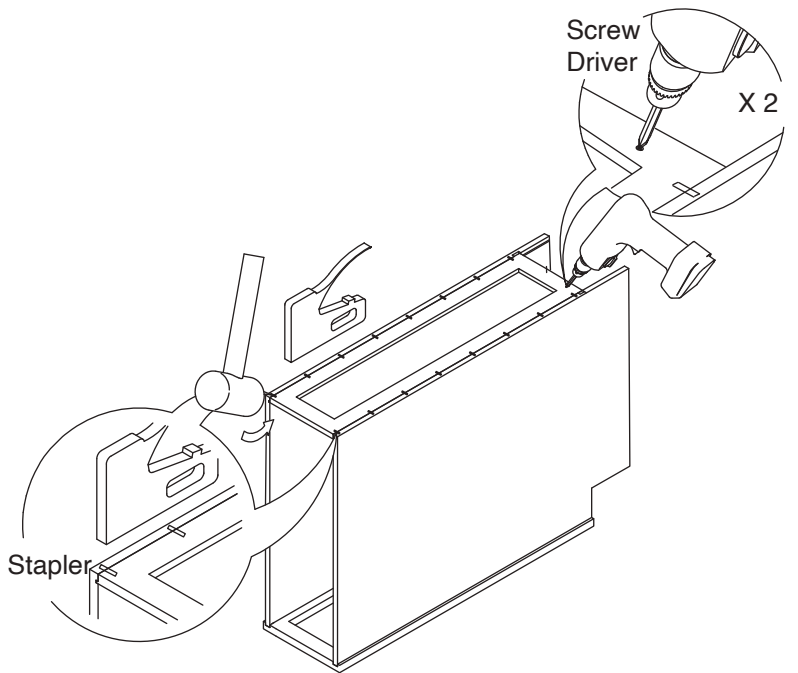
**Step 6:**



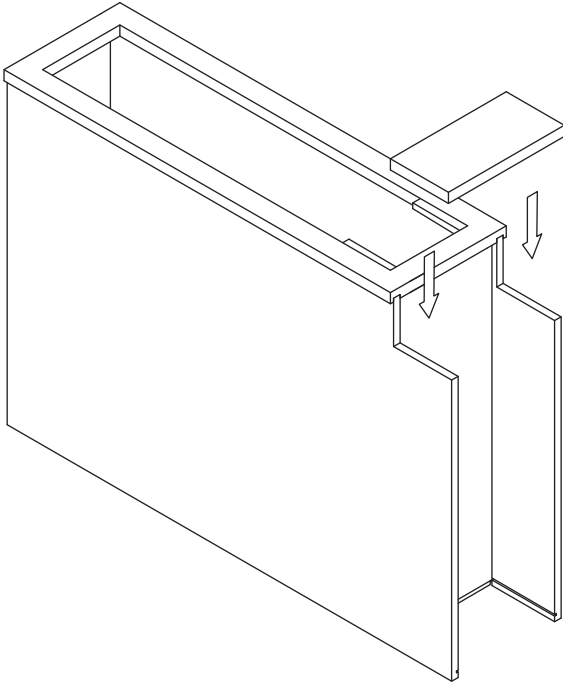
**Step 7:**



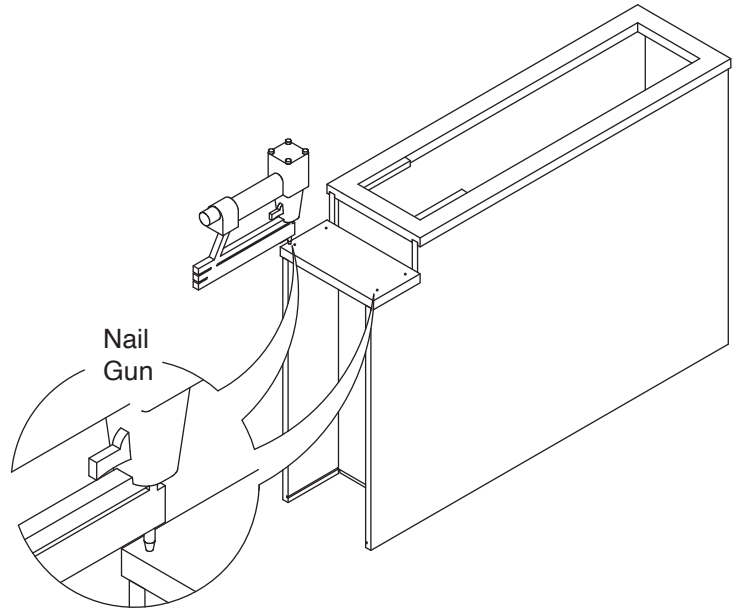
**Step 8:**



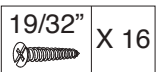
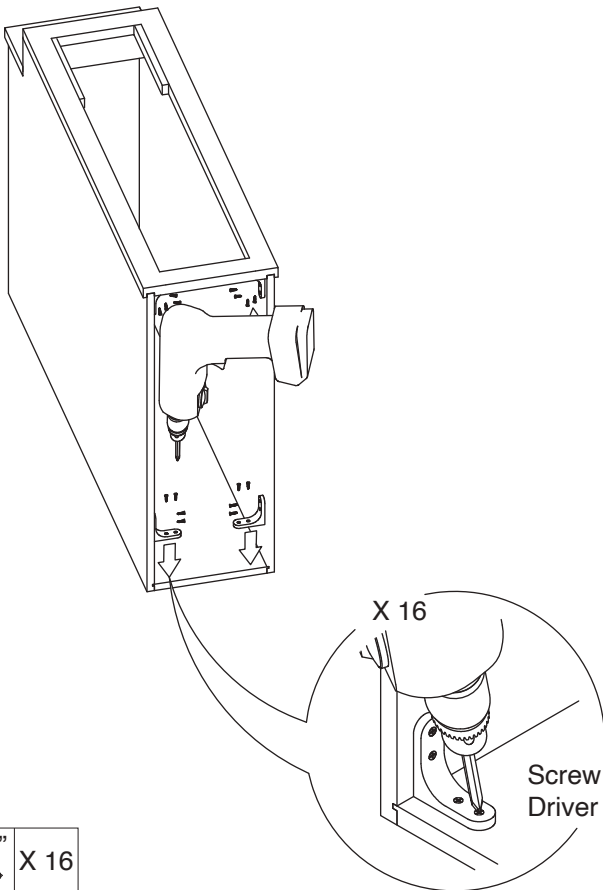
**Step 9:**



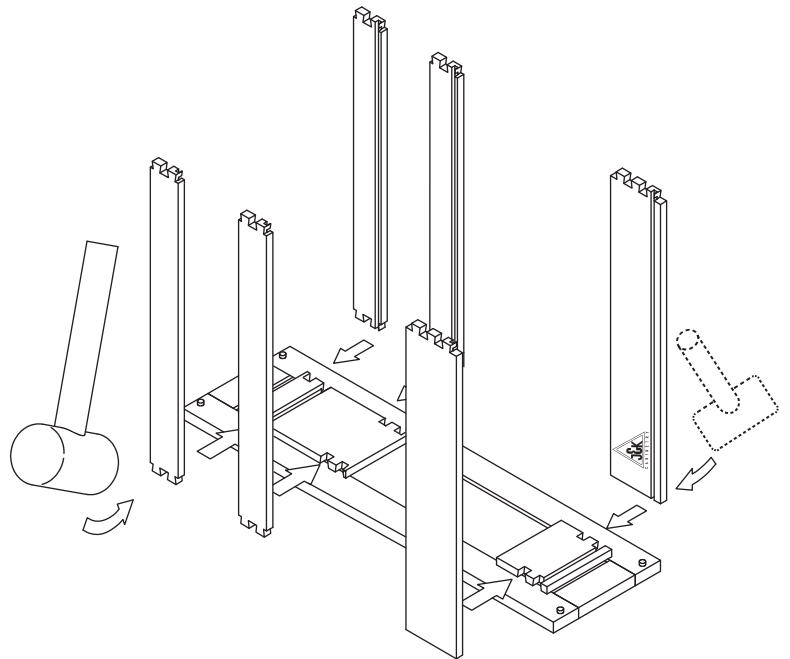
**Step 10:**



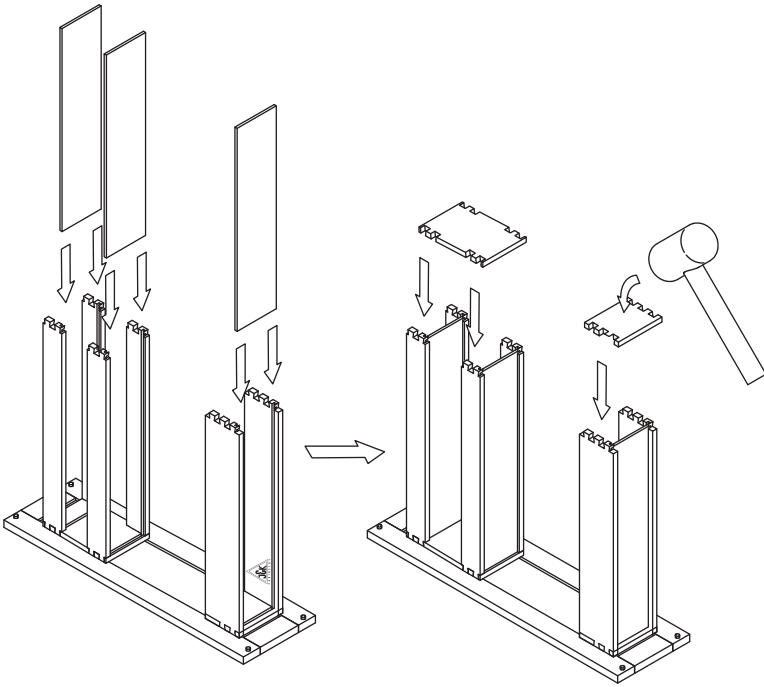
**Step 11:**



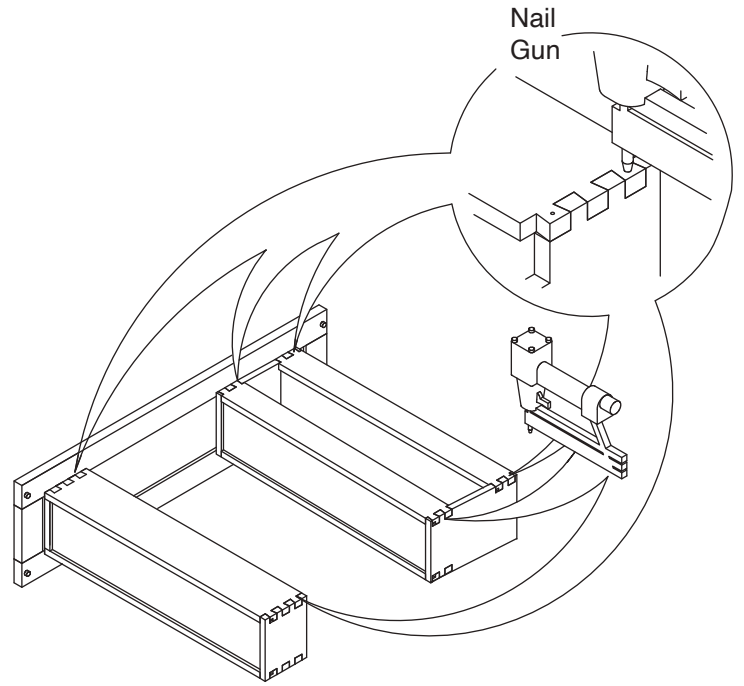
**Step 12:**



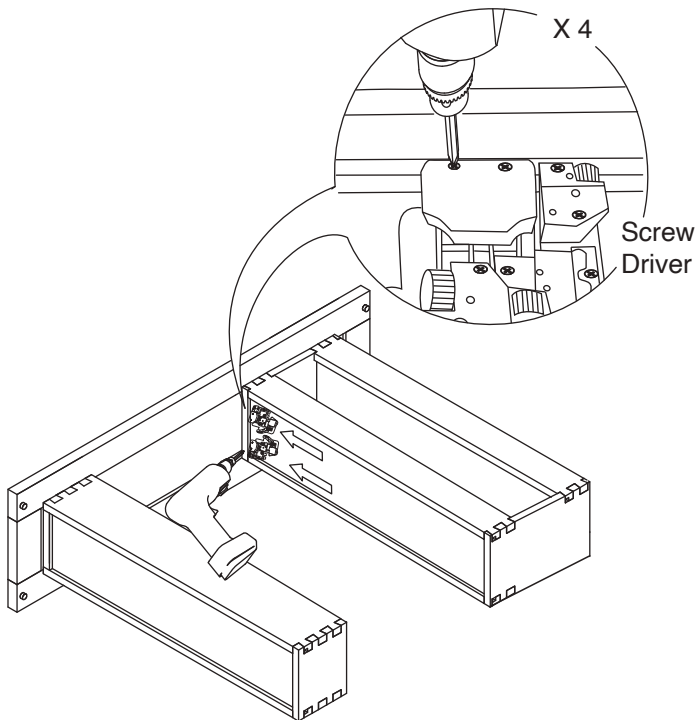
### Step 13:



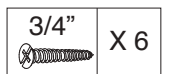
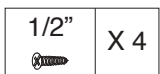
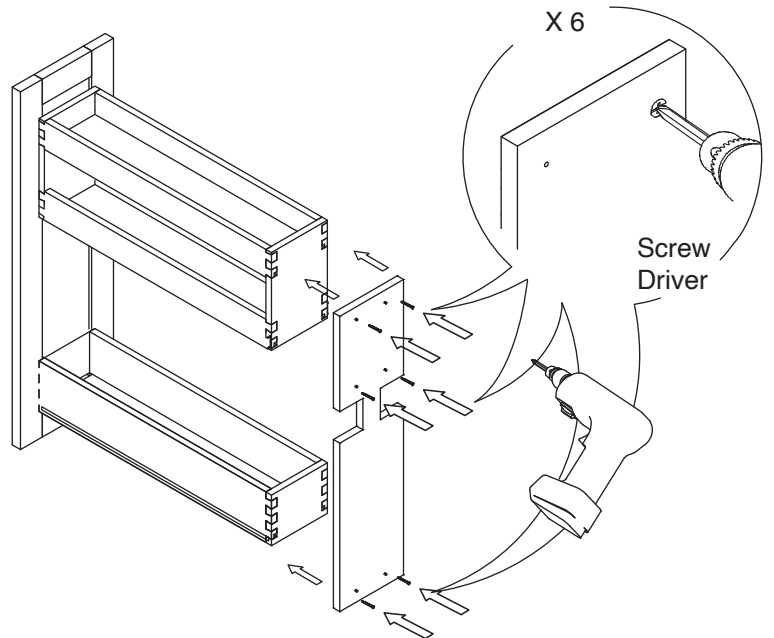
### Step 14:



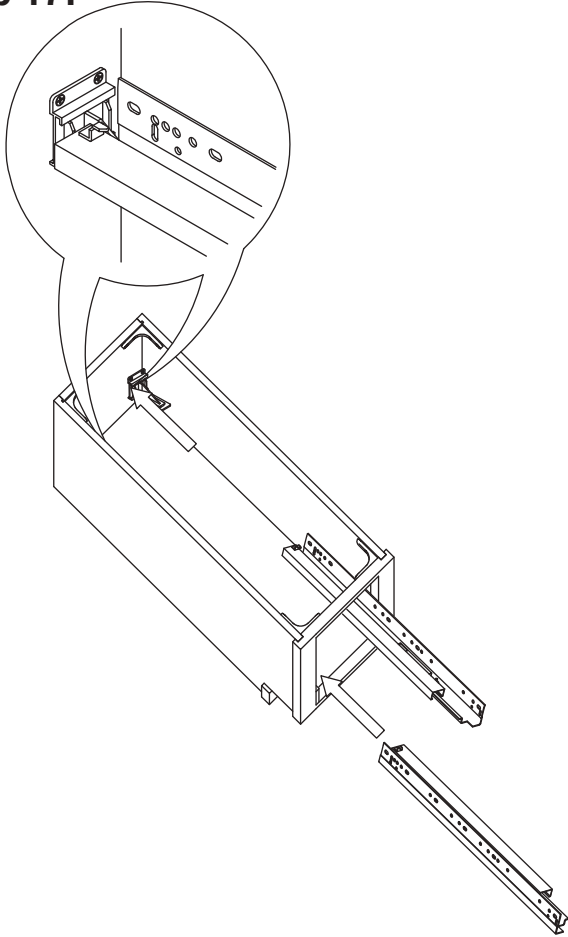
### Step 15:



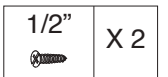
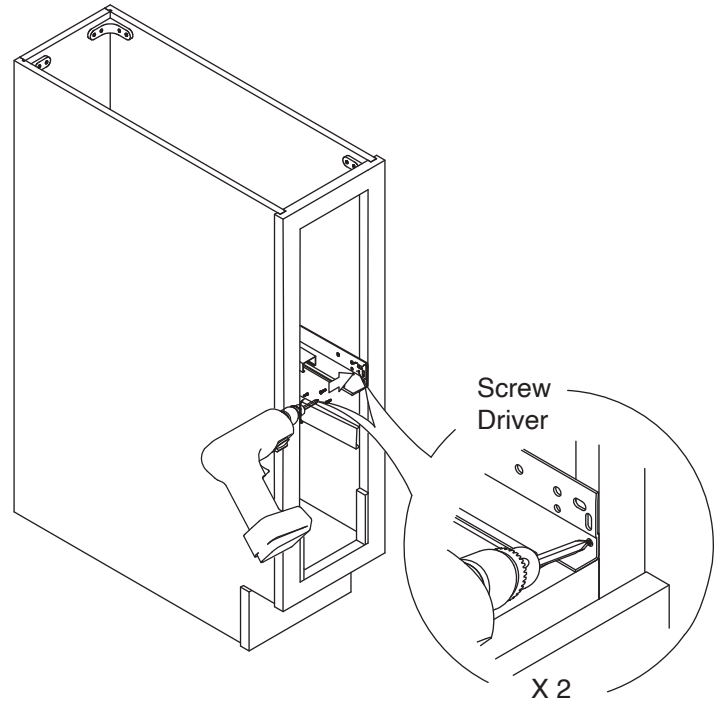
### Step 16:



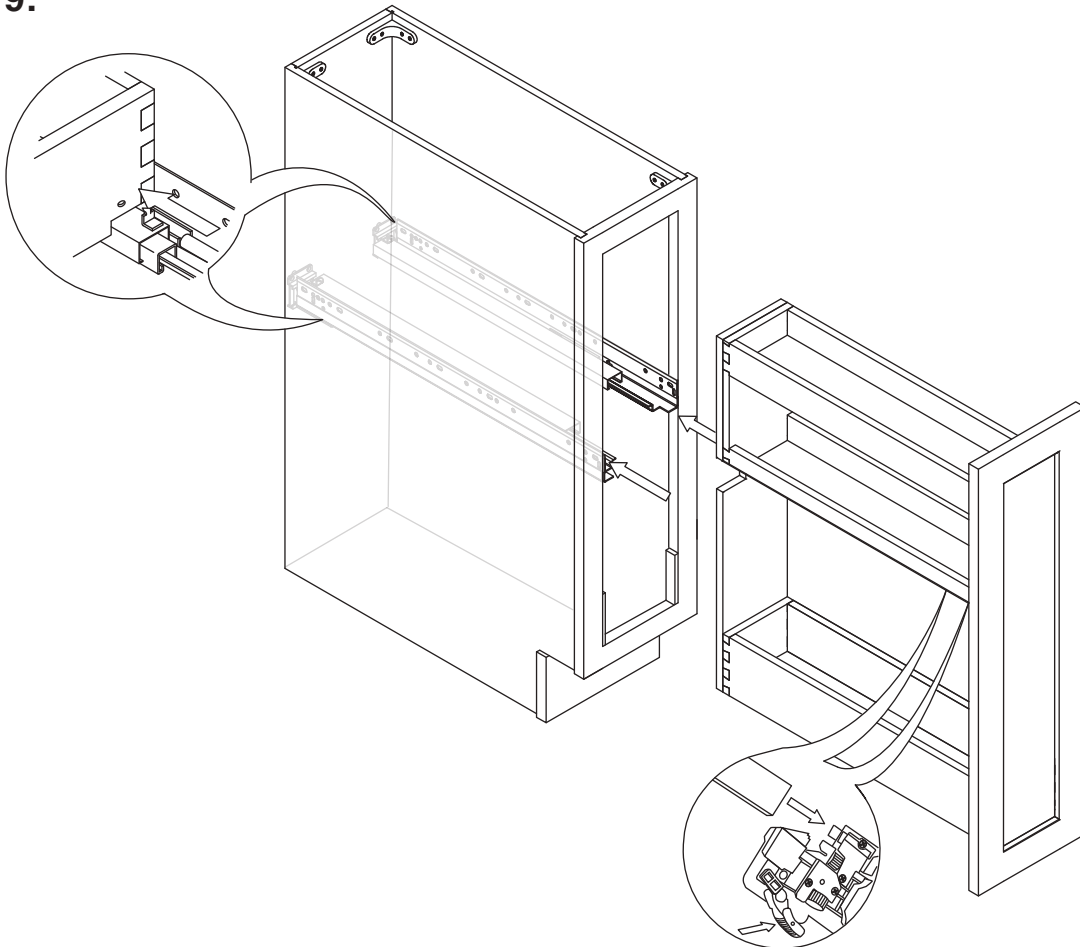
**Step 17:**



**Step 18:**



**Step 19:**





**Step 20:**

