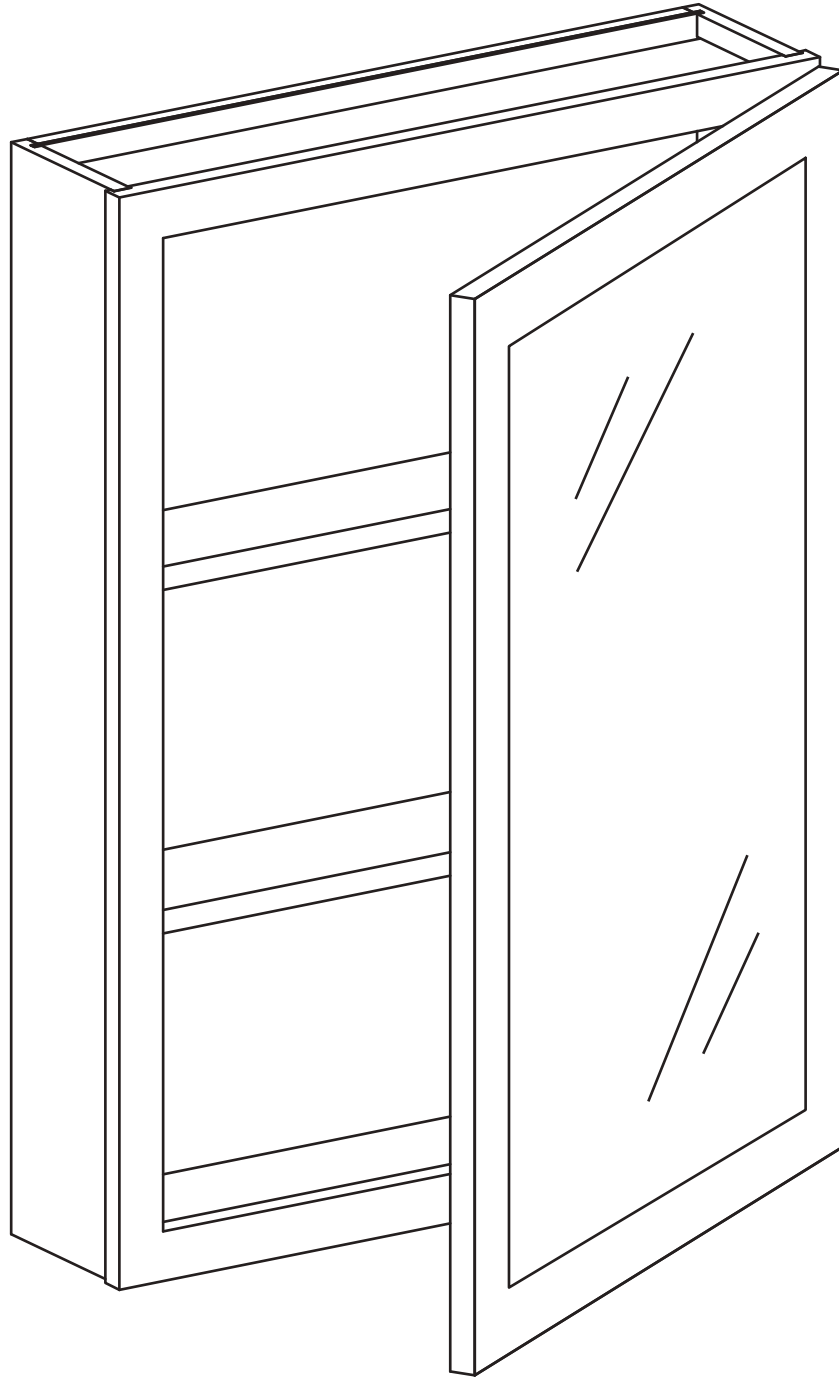


Assembly Instruction

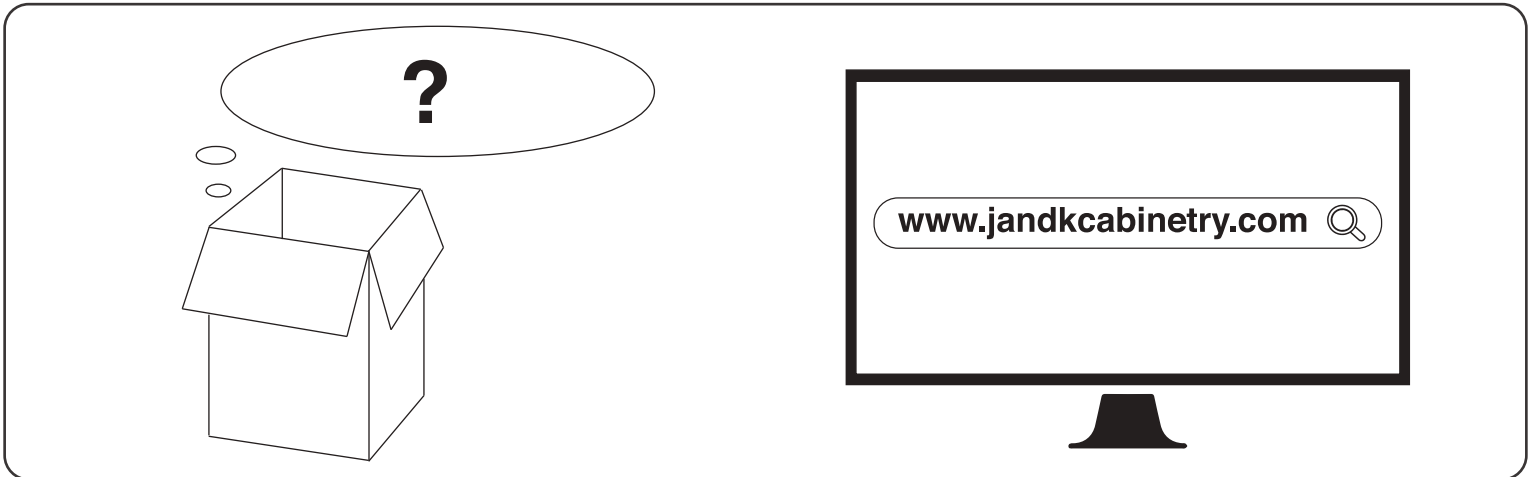
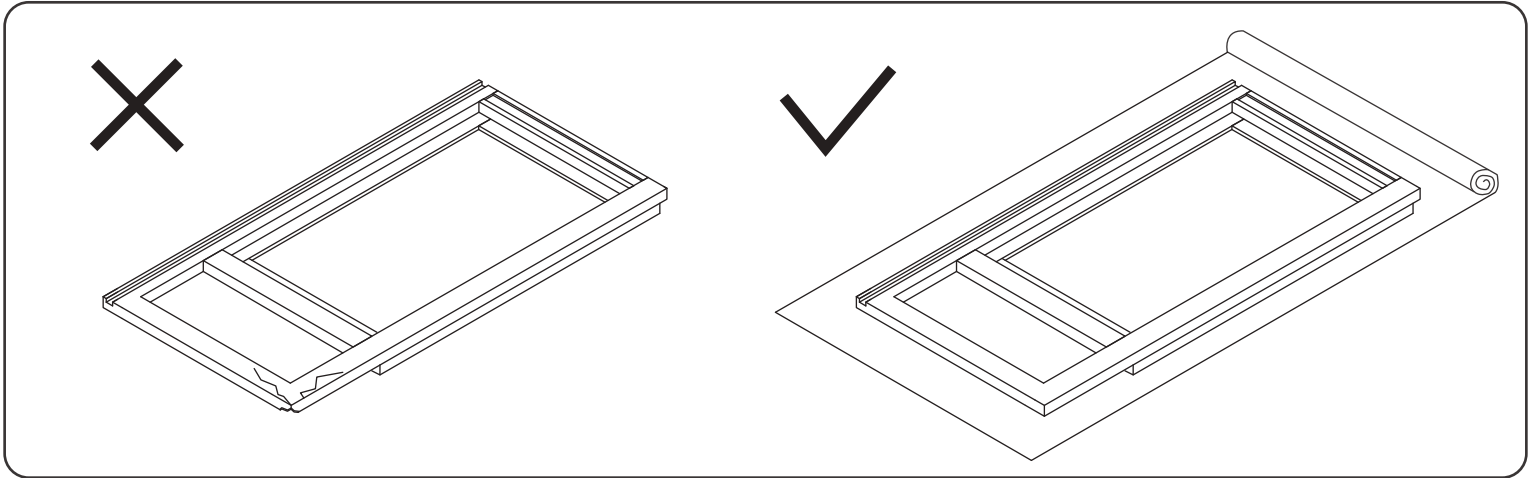
2020 Edition



Vanity Mirror Cabinet

Item Code:

SVAM24336, SVAM30336



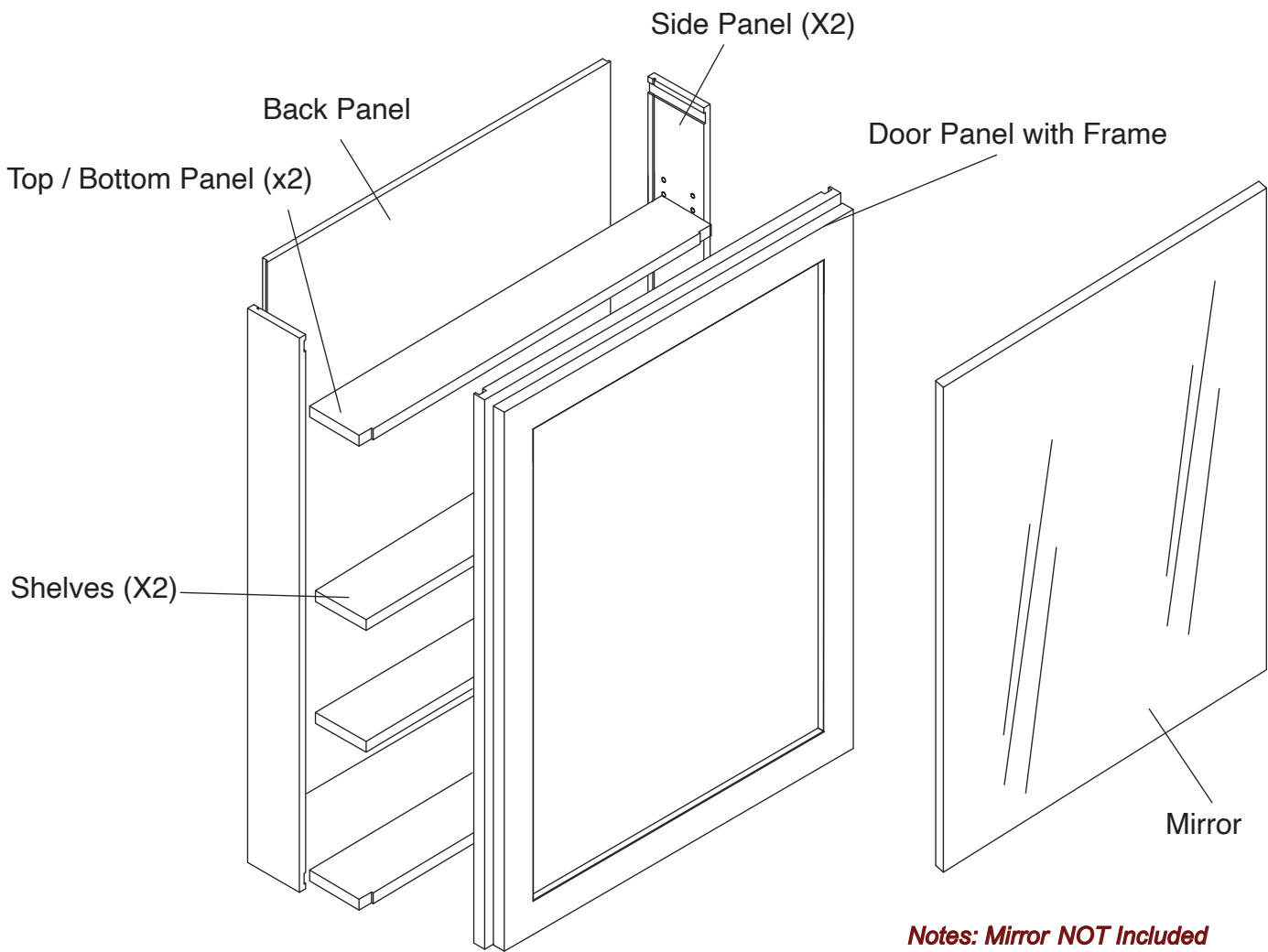
! WARNING:

1. Please be careful when opening the box with boxcutter and/or blade.
2. J&K Cabinetry is not responsible for any injuries and/or damages incurred during cabinet assembly.



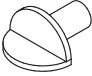
? SERVICE:


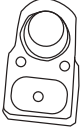
During the installation process, if you encounter any problems, please go to our official website: www.jandkcabinetry.com, check the full version assembly instruction or watch the assembly video online.

Included Items:



Notes: Mirror NOT Included

1-1/4" 		
Screws X 6	Door Bumpers X 2	Shelf Pins X 8

3/5" 	
Screws X 8	Glass Door Retainer Clips X 8

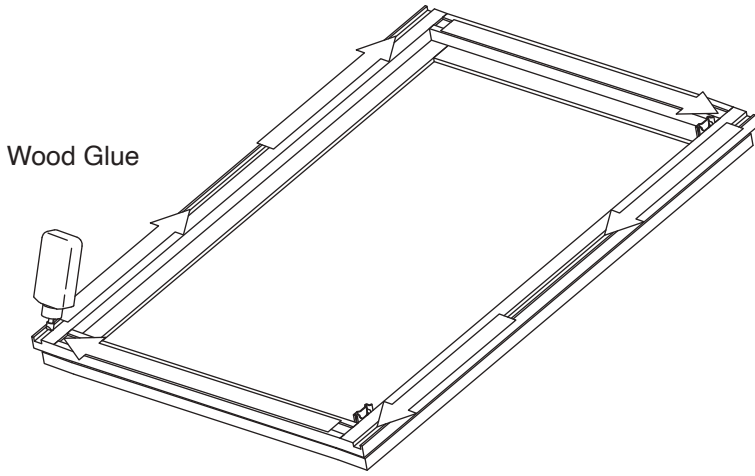
Recommended Tools:



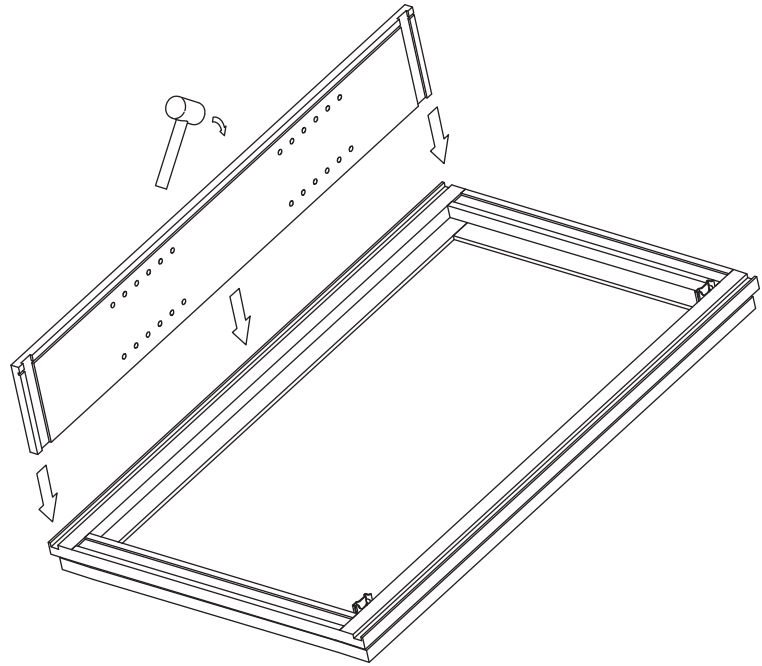
Safety Tools:



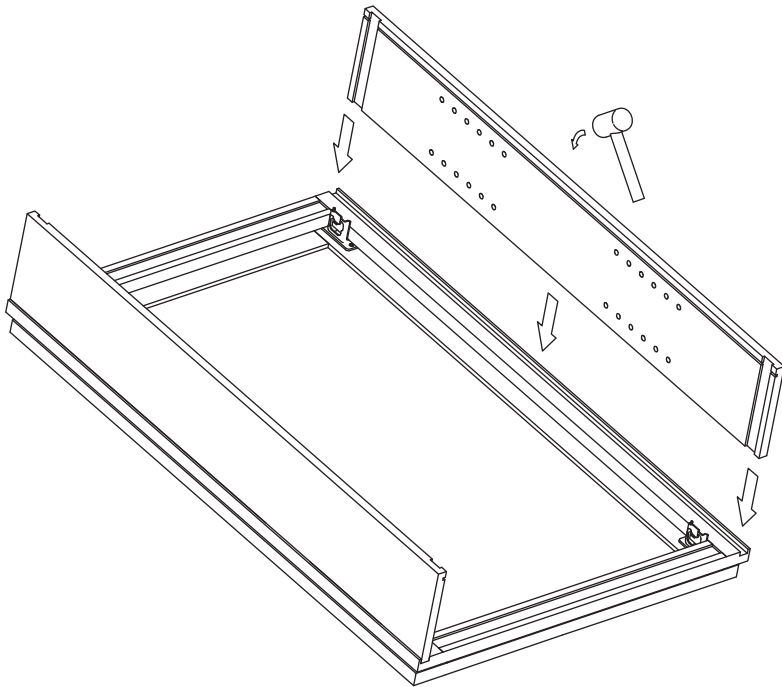
Step 1:



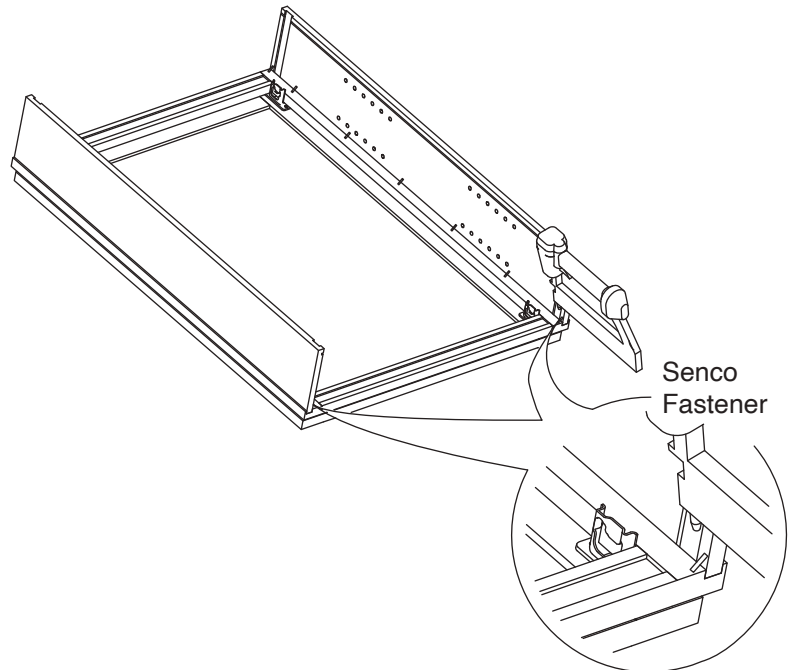
Step 2:



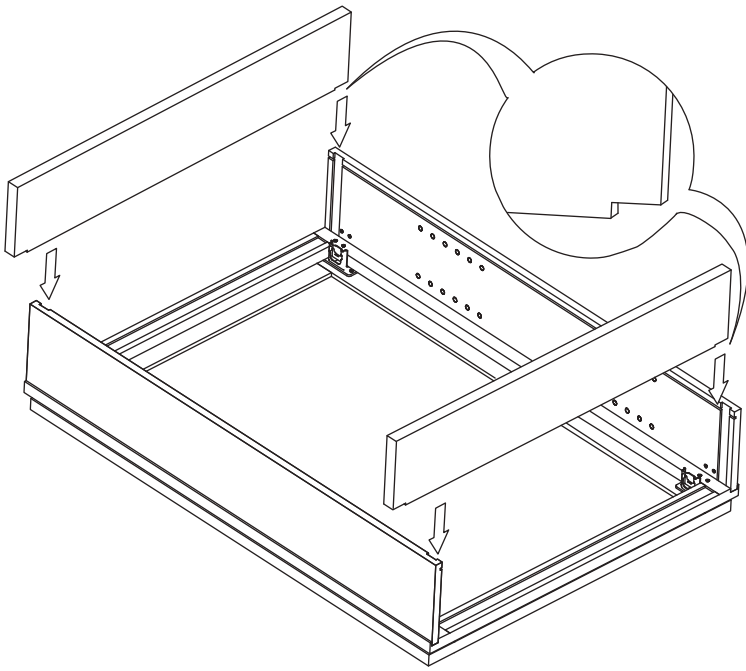
Step 3:



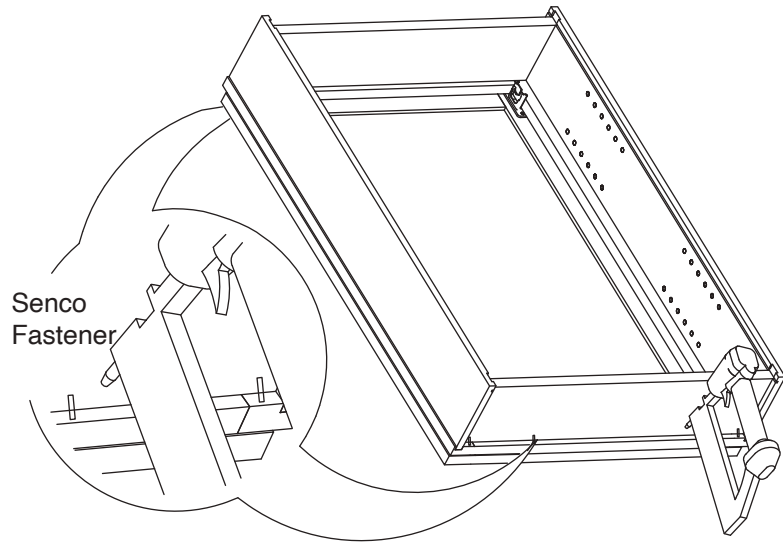
Step 4:



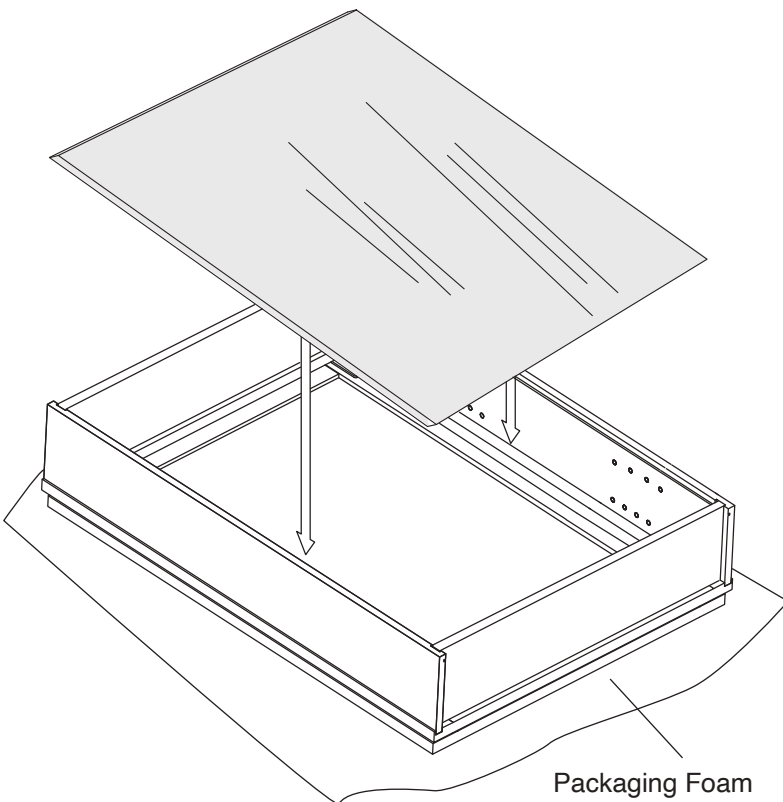
Step 5:



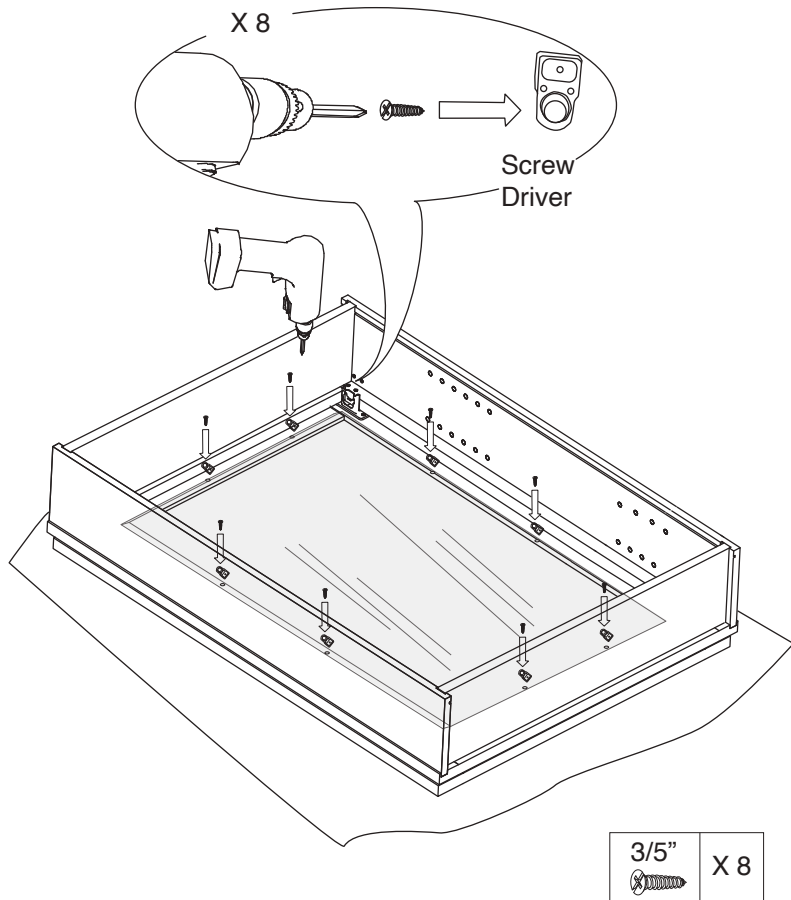
Step 6:



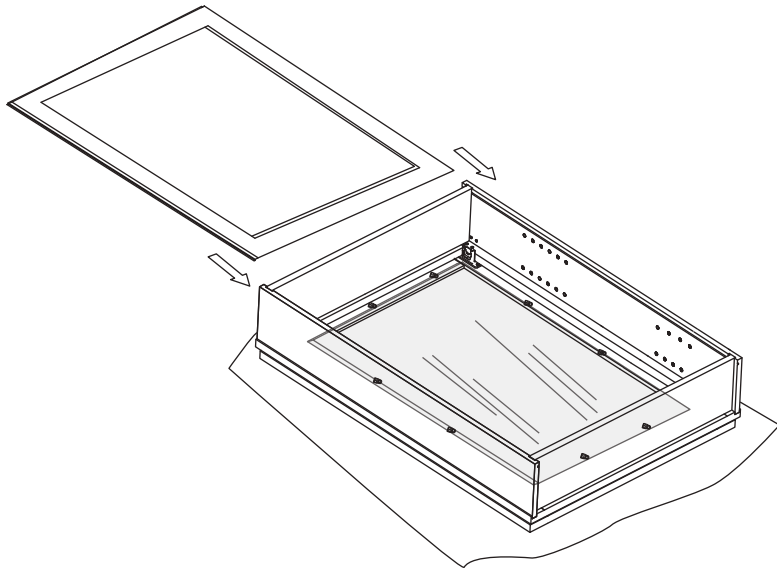
Step 7:



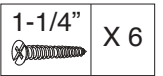
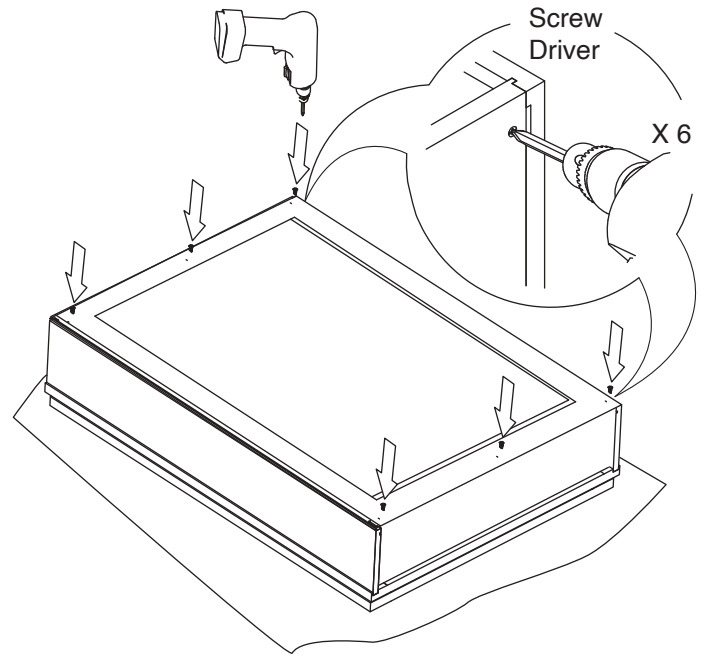
Step 8:



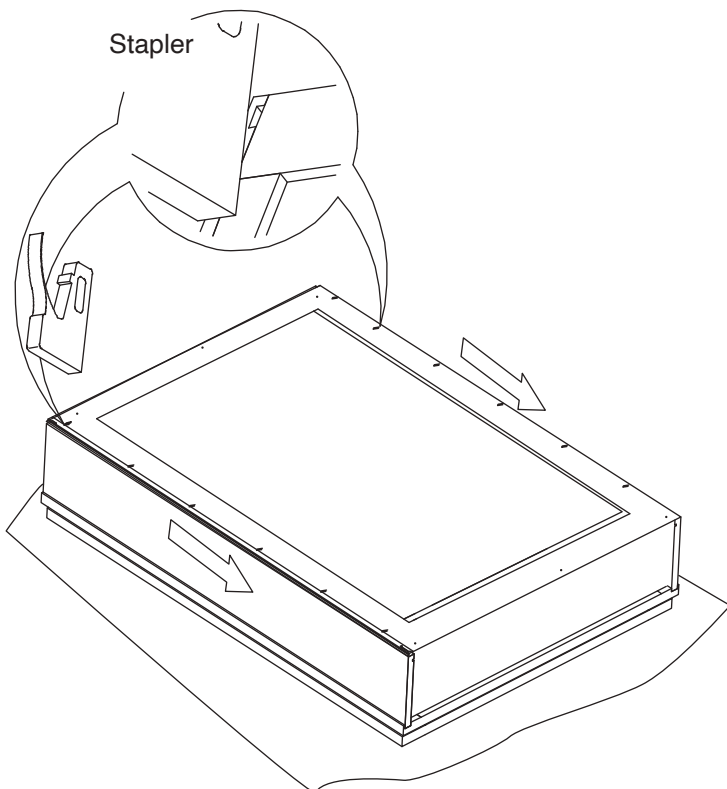
Step 9:



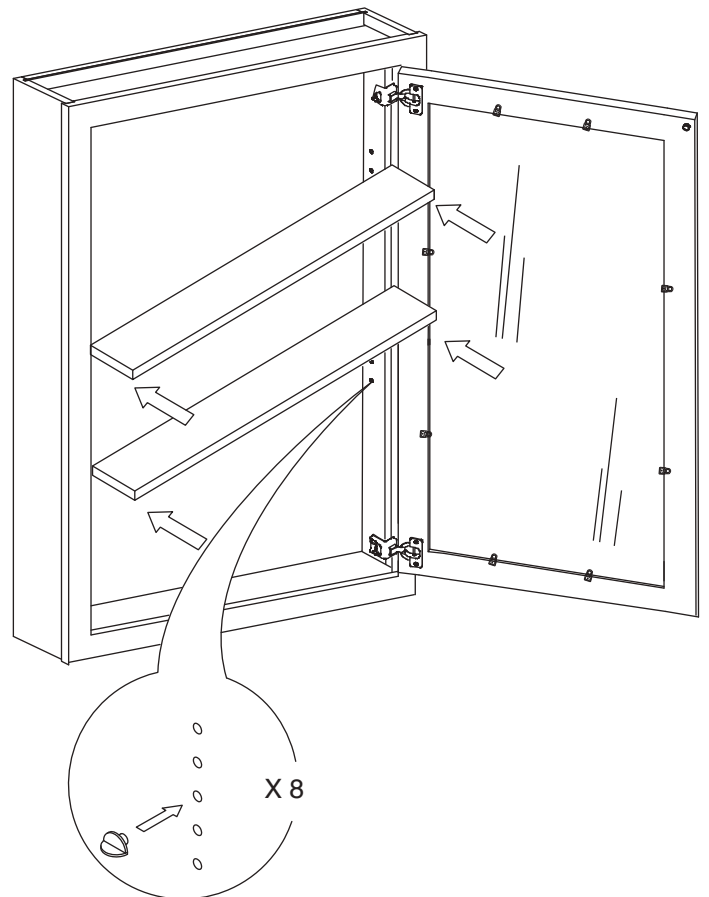
Step 10:



Step 11:



Step 12:



X 8

Step 13:

