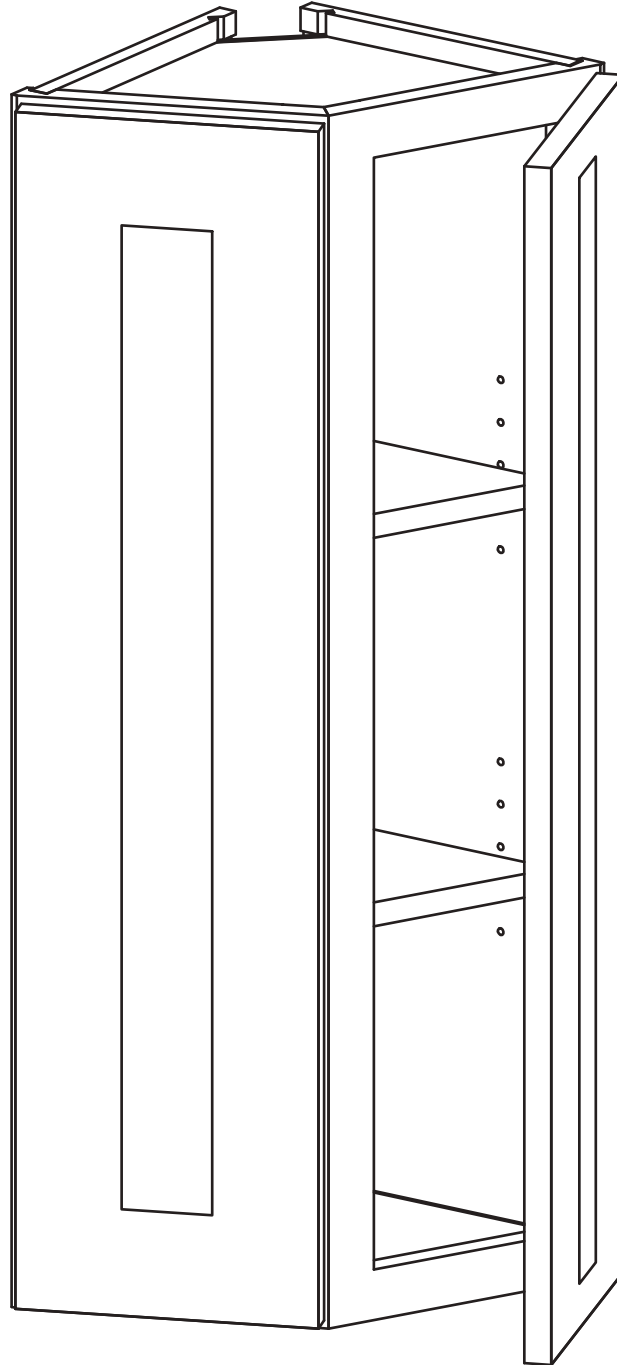


# Assembly Instruction

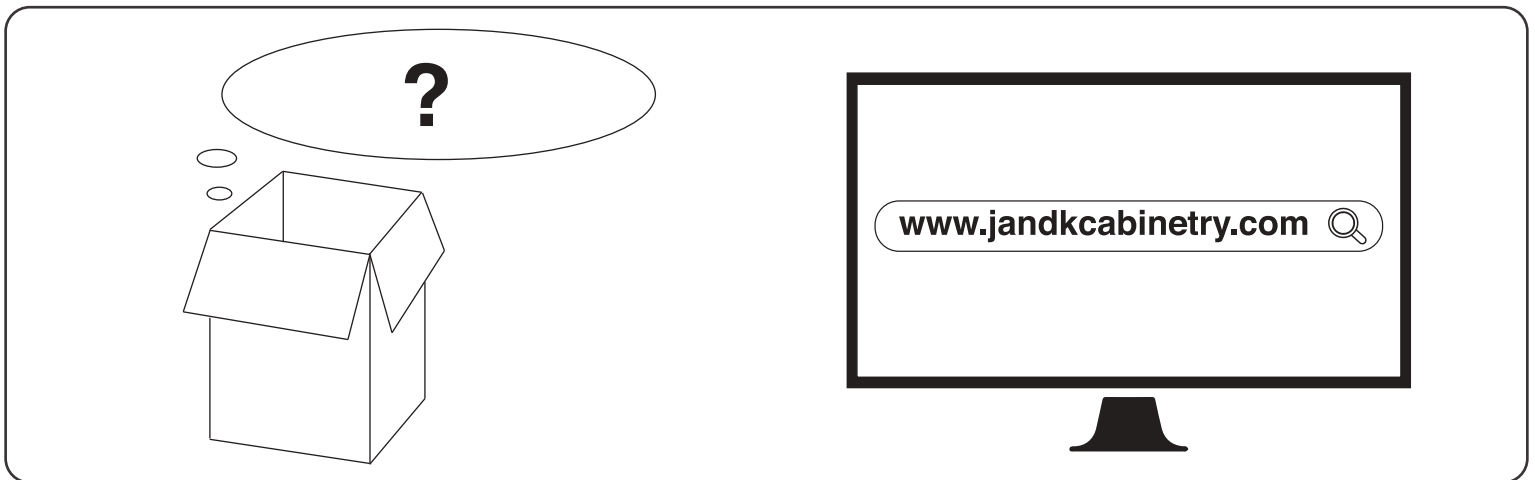
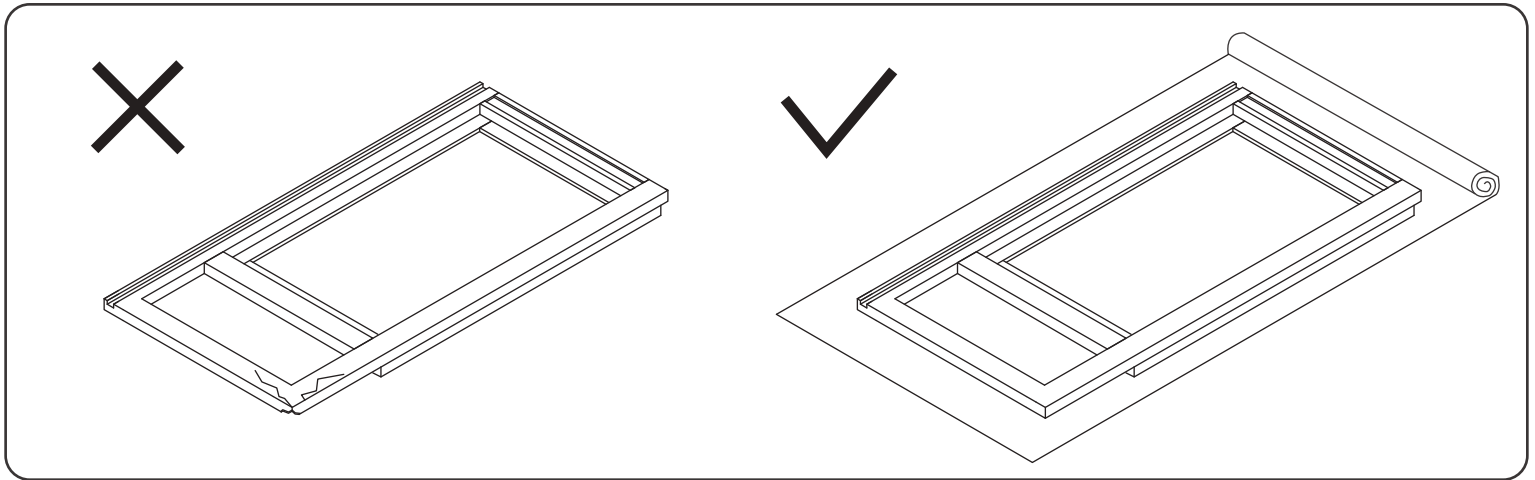
2020 Edition



## Wall End Corner Cabinet

Item Code:

WEC1230, WEC1236, WEC1242



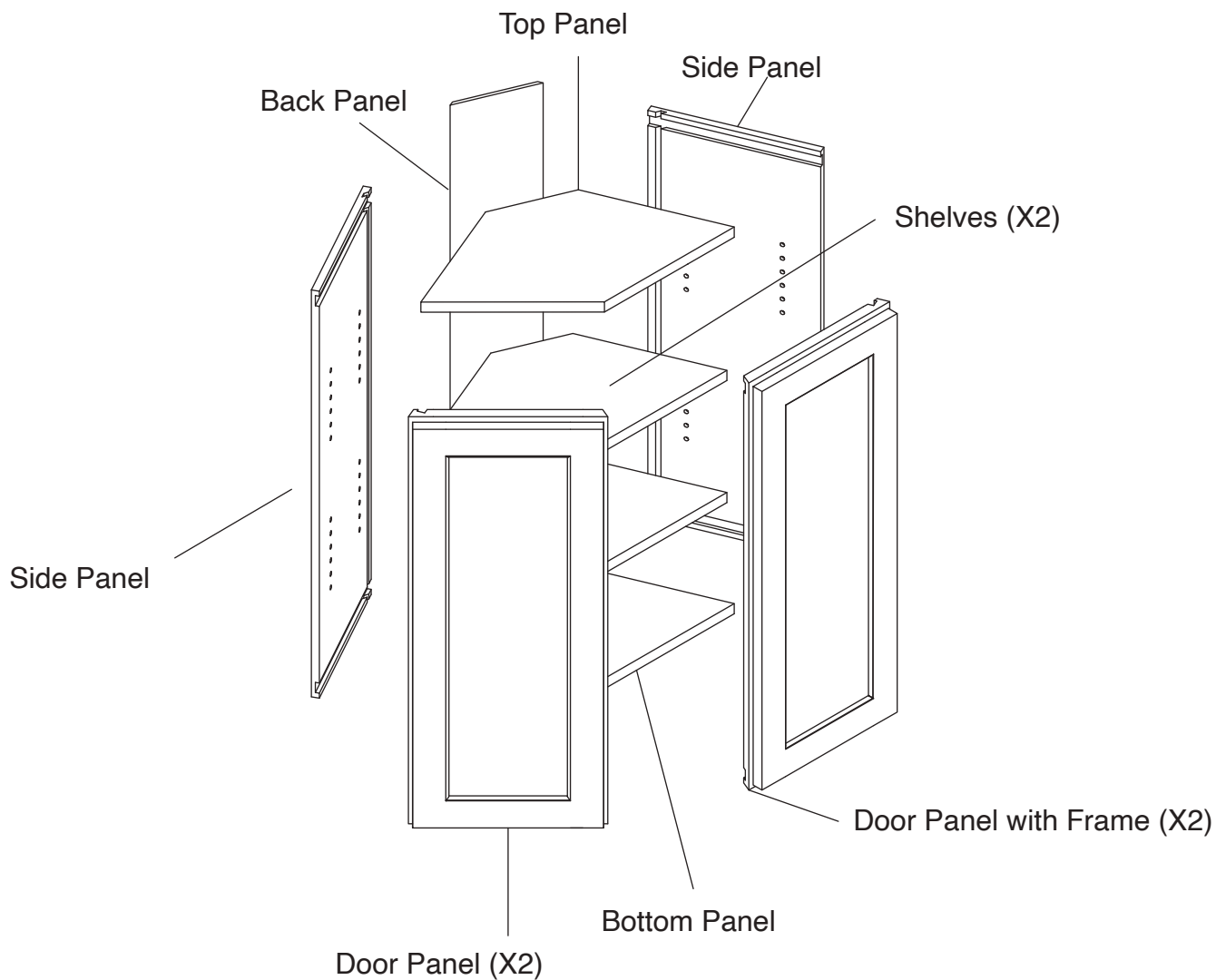
**! WARNING:**

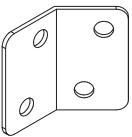



1. Please be careful when opening the box with boxcutter and/or blade.
2. J&K Cabinetry is not responsible for any injuries and/or damages incurred during cabinet assembly.

**? SERVICE:**

During the installation process, if you encounter any problems, please go to our official website: [www.jandkcabinetry.com](http://www.jandkcabinetry.com), check the full version assembly instruction or watch the assembly video online.

# Included Items:



	7/16" 		
135° Brackets X 3	Screws X 12	Door Bumpers X 4	Shelf Pins X 12

## Recommended Tools:



Wood Glue



Screw Driver



Rubber Mallet



Compressor



Nail Gun



Stapler



Senco Fastener

## Safety Tools:

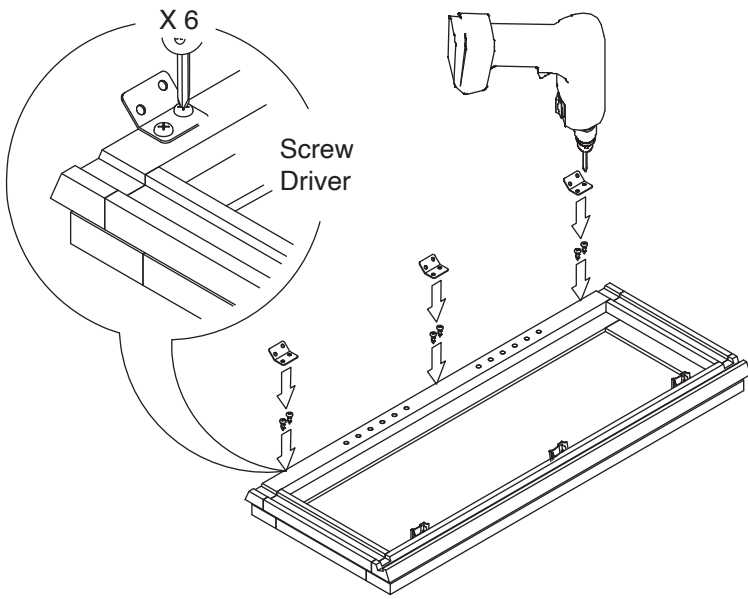


Eye Wear



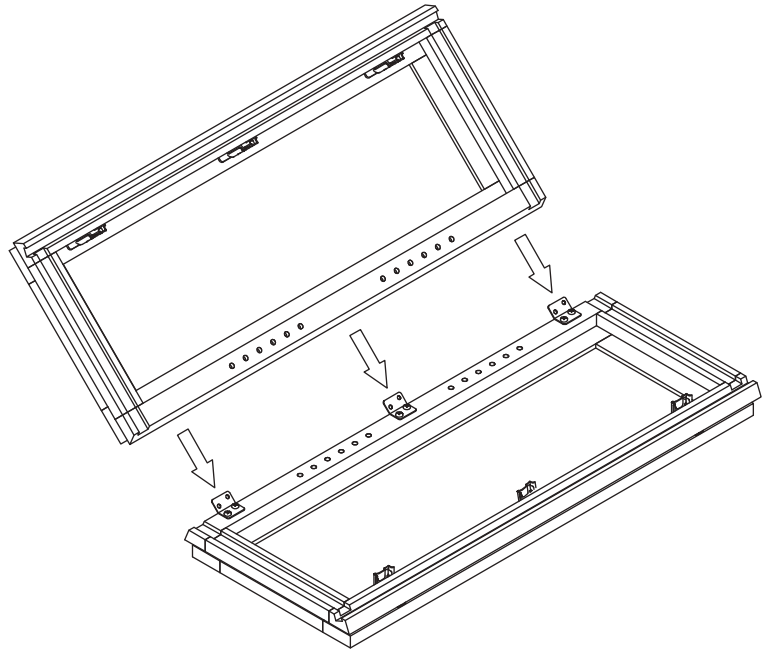
Gloves

### Step 1:

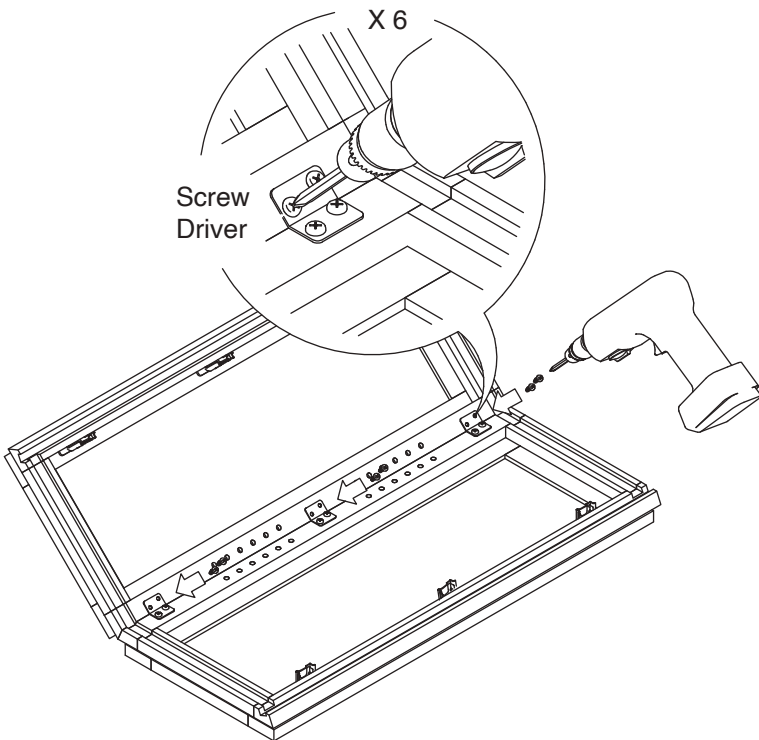


7/16" X 6

### Step 2:

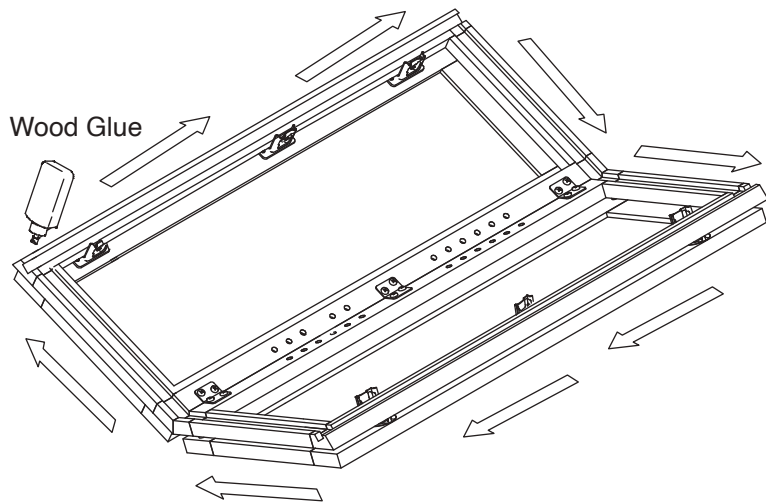


### Step 3:

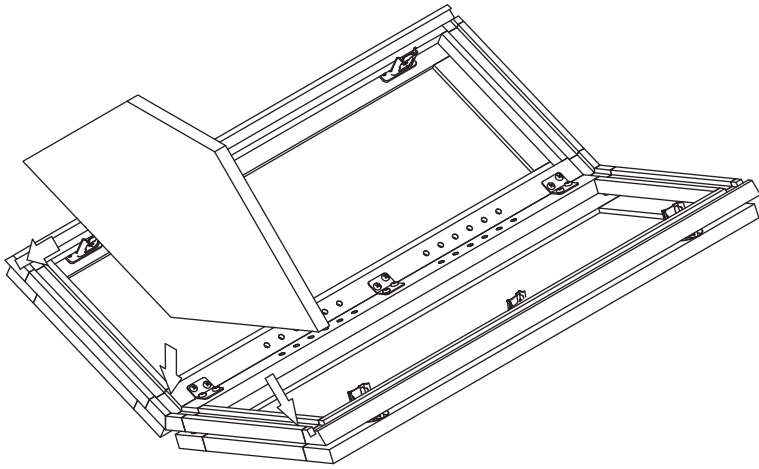


7/16" X 6

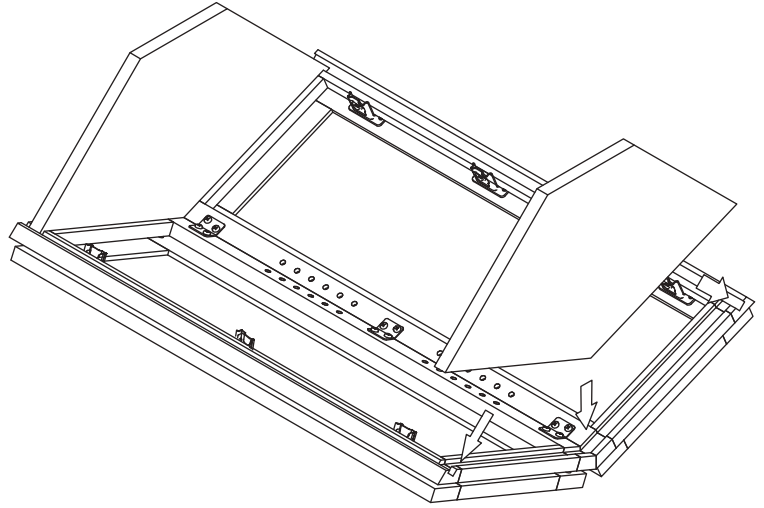
### Step 4:



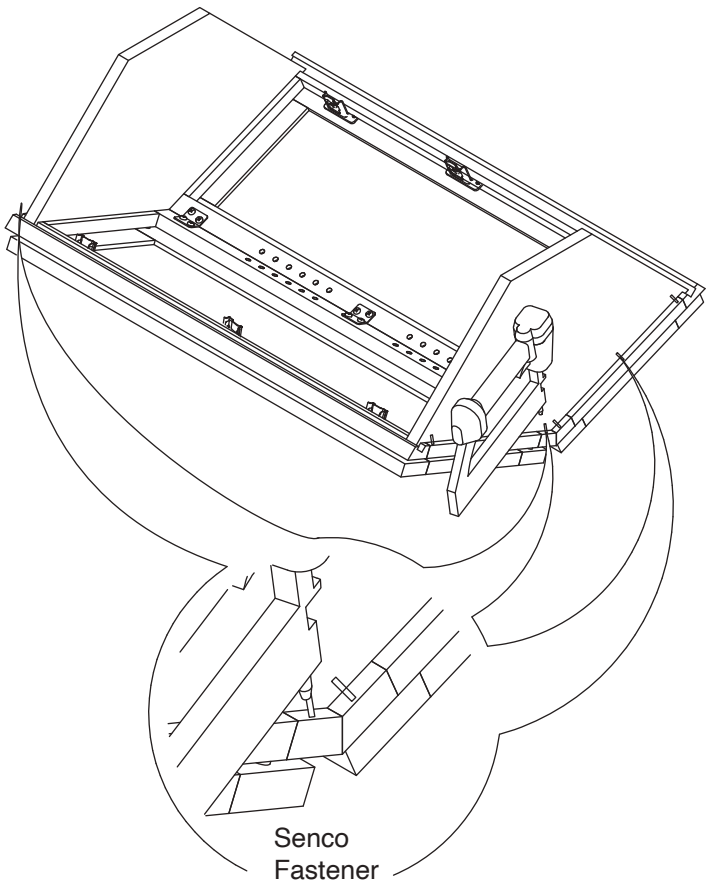
**Step 5:**



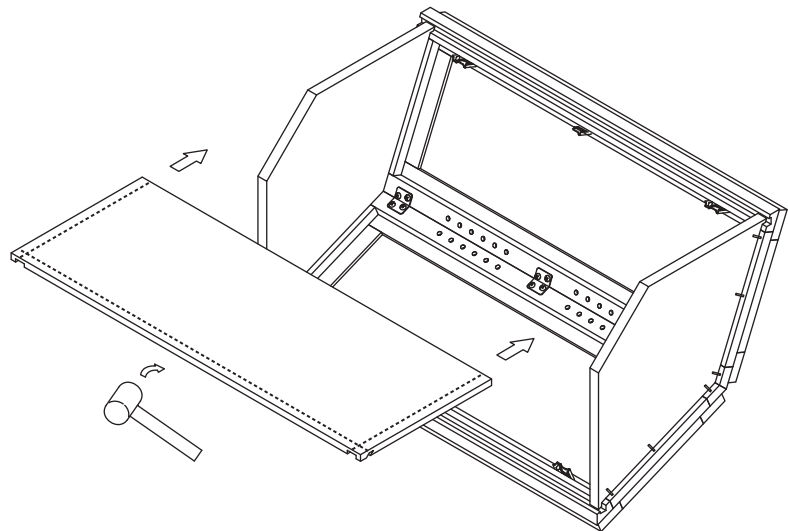
**Step 6:**



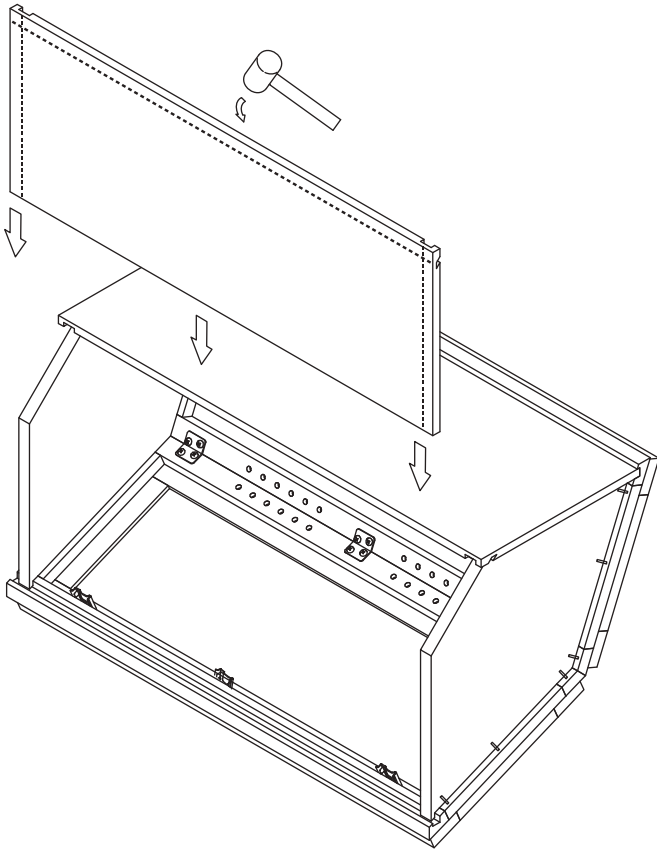
**Step 7:**



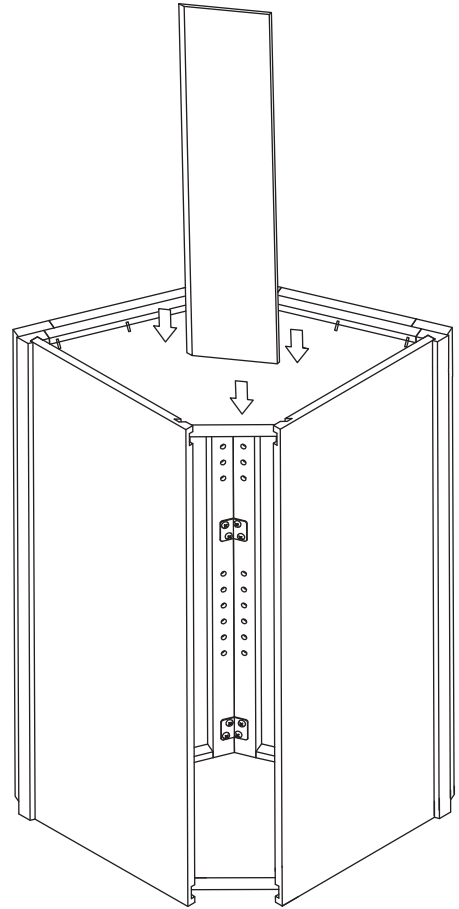
**Step 8:**



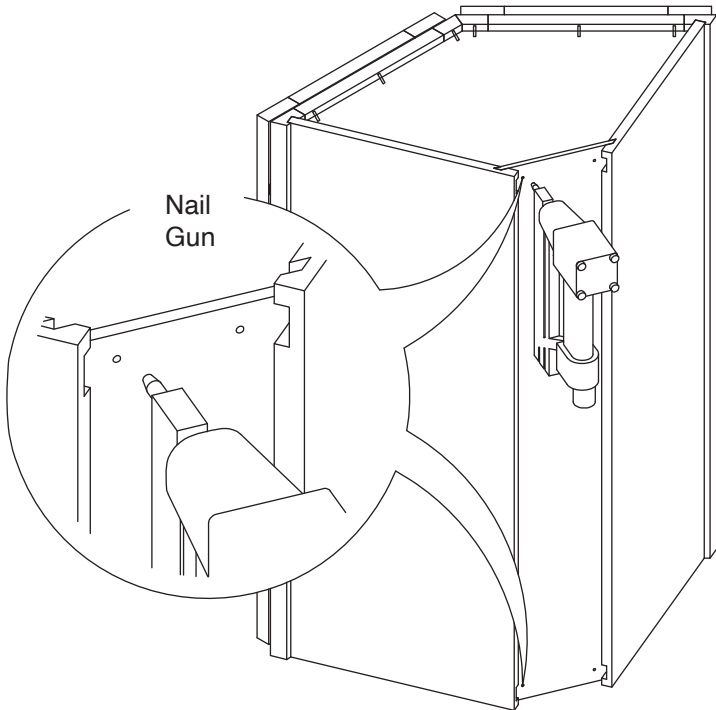
**Step 9:**



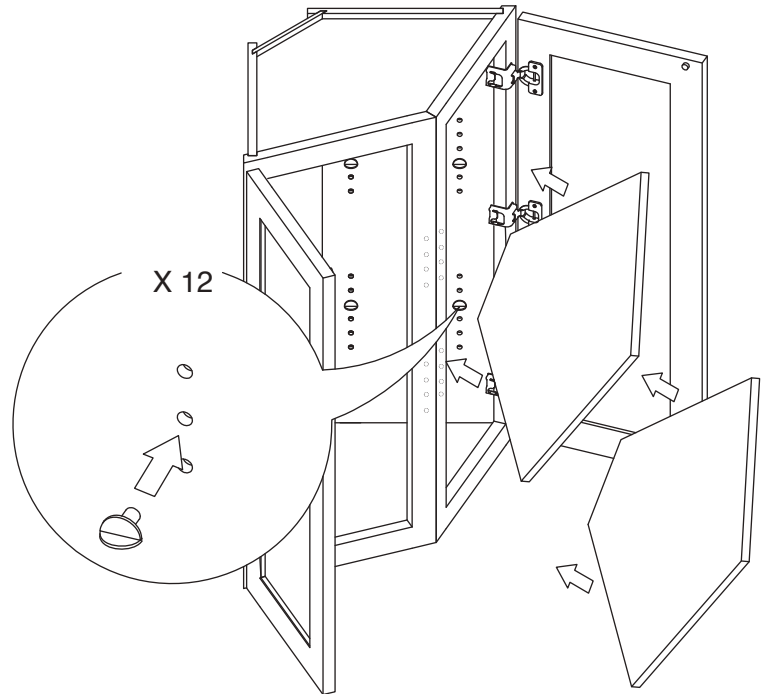
**Step 10:**



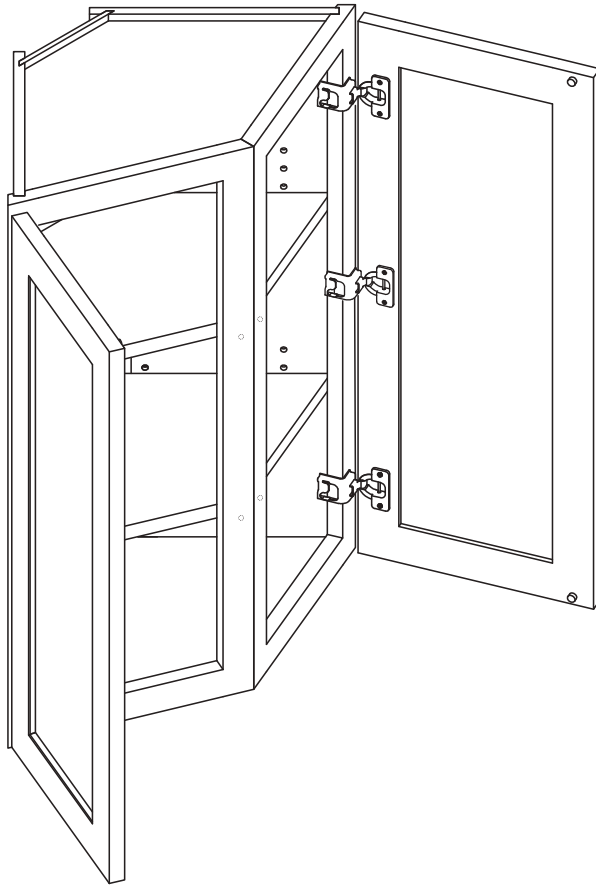
**Step 11:**



**Step 12:**



**Step 13:**



---

**Step 14:**

