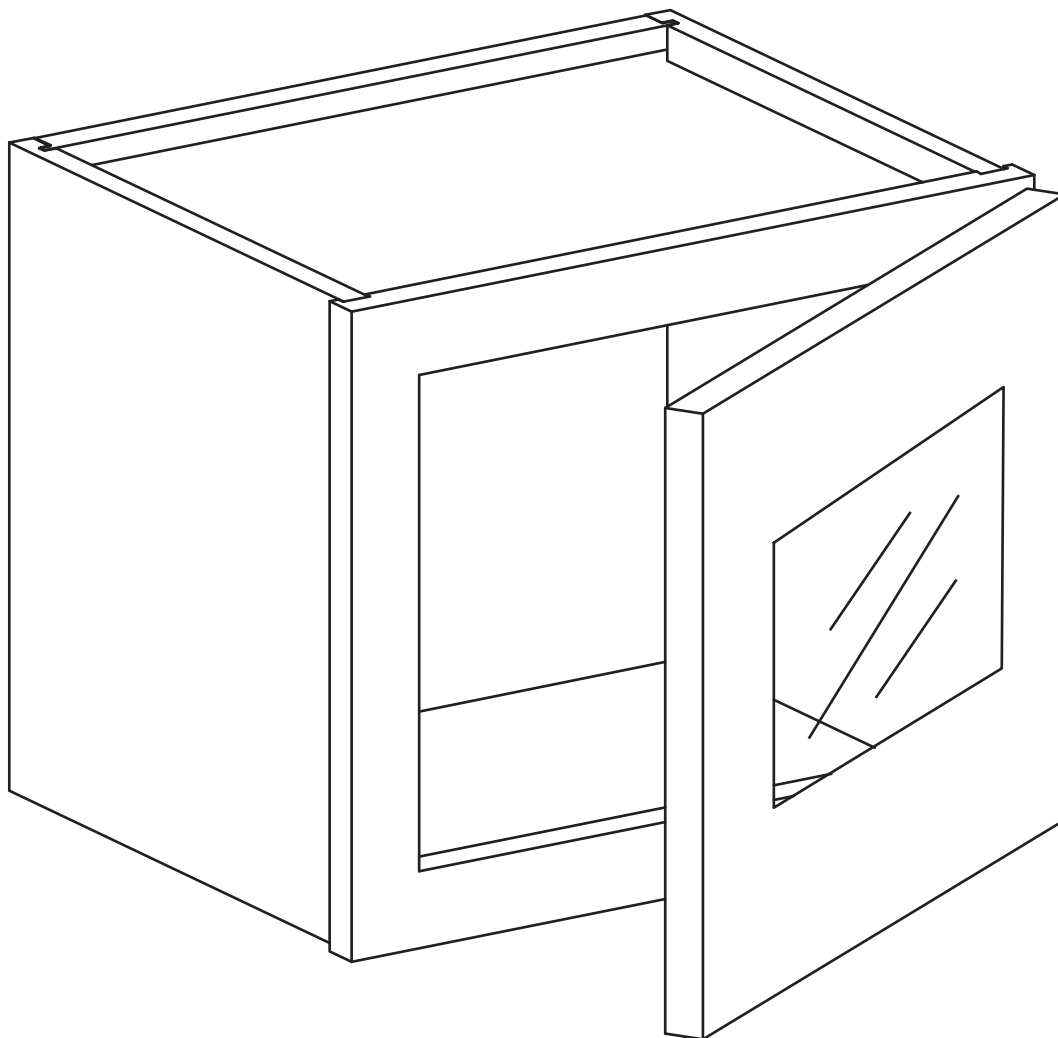


Assembly Instruction

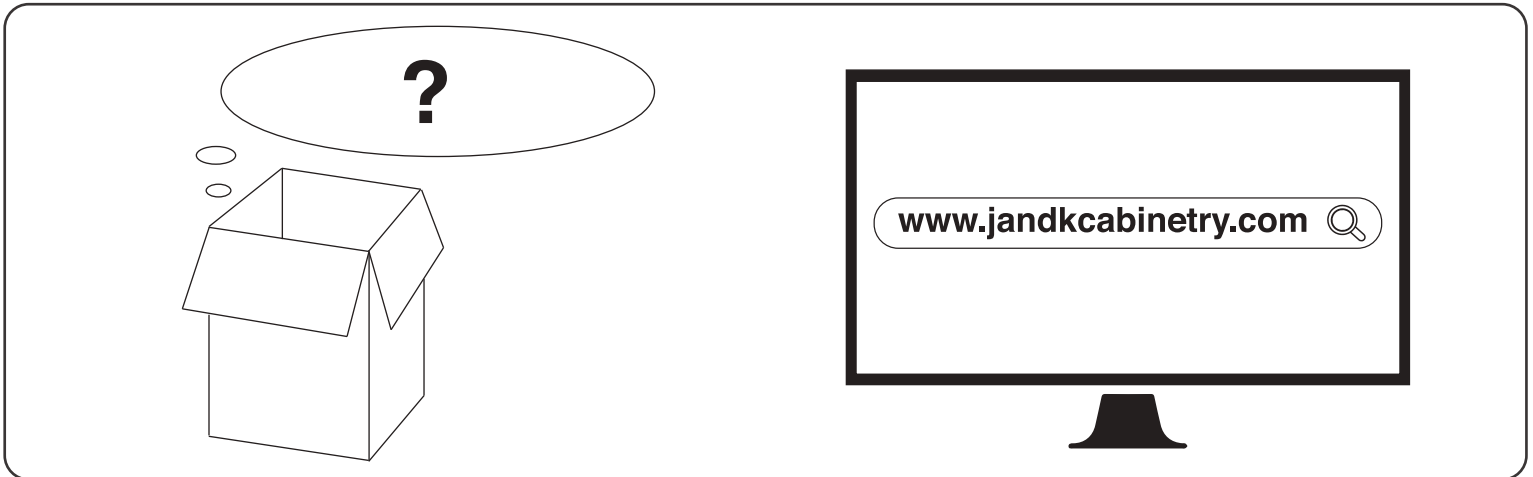
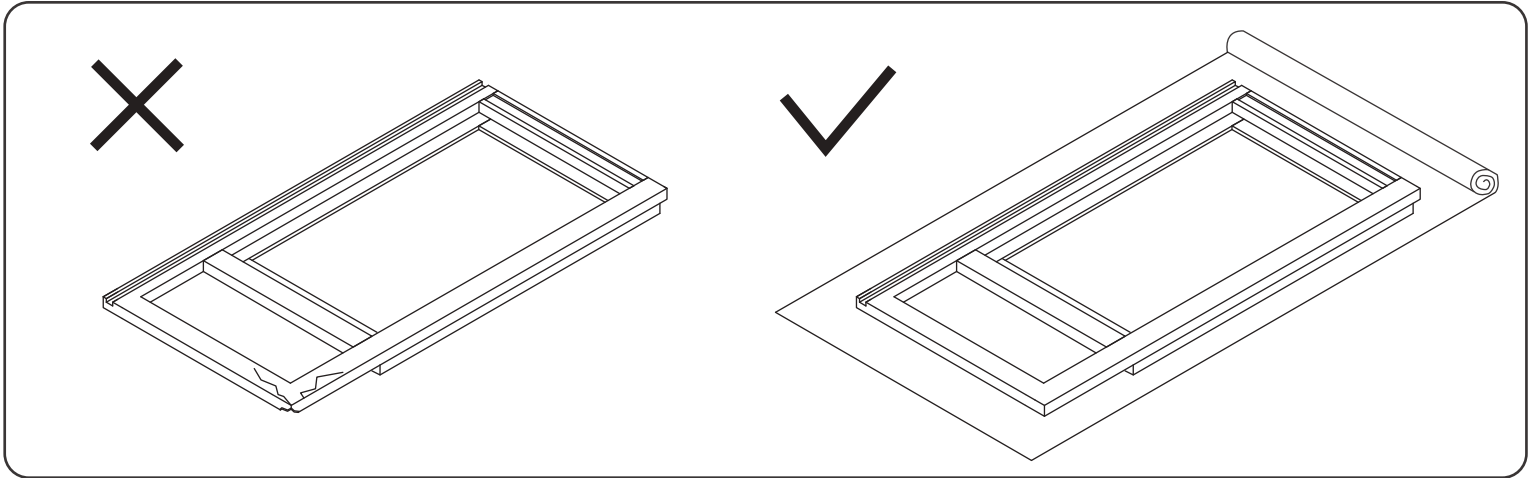
2020 Edition



Wall Cabinet Glass Insert Door

Item Code:

WM1212H, WM1512H, WM1812H, WM2112H



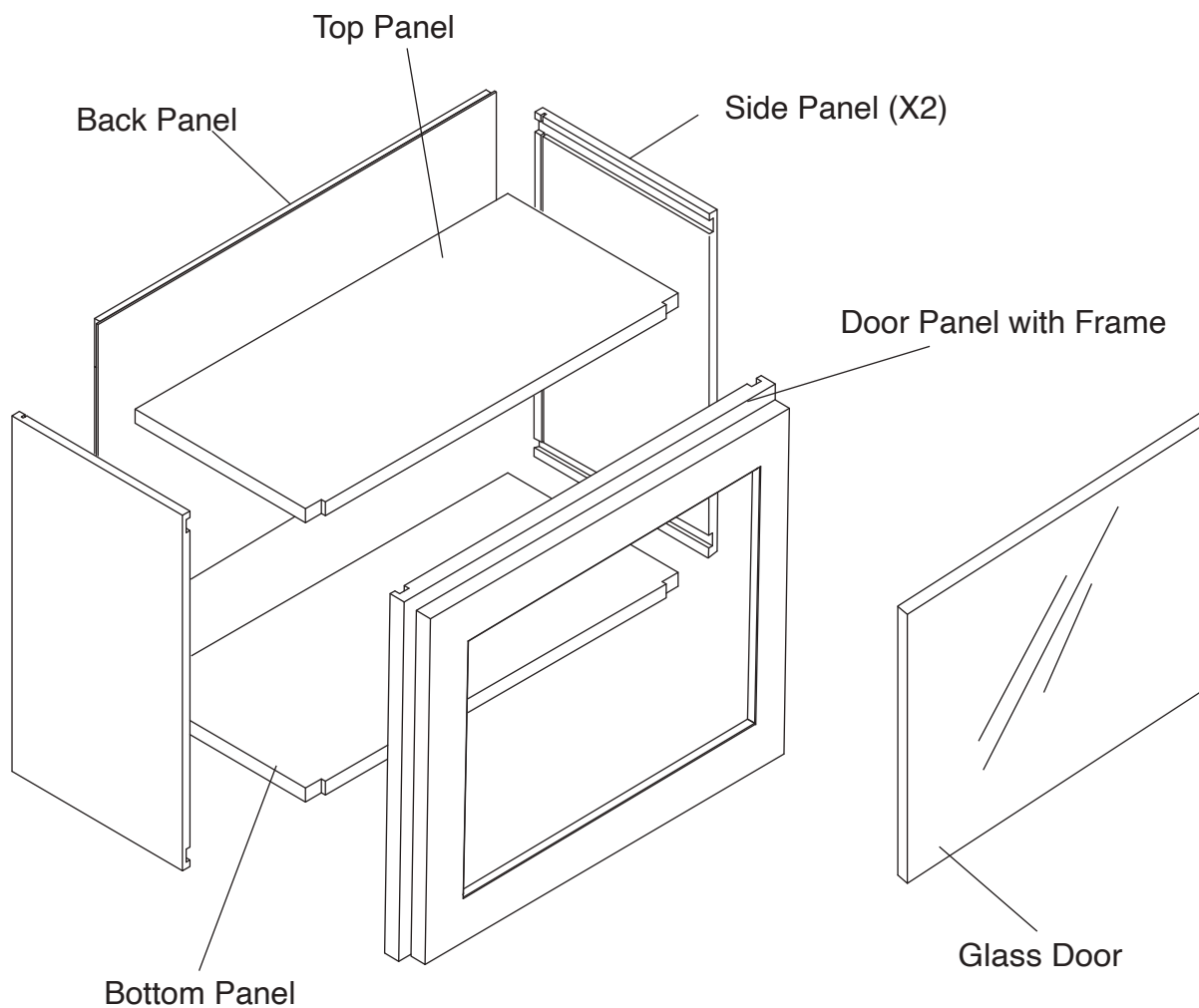
! WARNING:

1. Please be careful when opening the box with boxcutter and/or blade.
2. J&K Cabinetry is not responsible for any injuries and/or damages incurred during cabinet assembly.



? SERVICE:


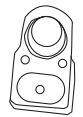
During the installation process, if you encounter any problems, please go to our official website: www.jandkcabinetry.com, check the full version assembly instruction or watch the assembly video online.

Included Items:



Notes: Glass Doors NOT Included

1-3/16" 	
Screws X 4	Door Bumpers X 2

3/5" 	
Screws X 6	Glass Door Retainer Clips X 6

Recommended Tools:



Wood Glue



Screw Driver



Rubber Mallet



Compressor



Nail Gun



Stapler



Senco Fastener



Packaging Foam

Safety Tools:

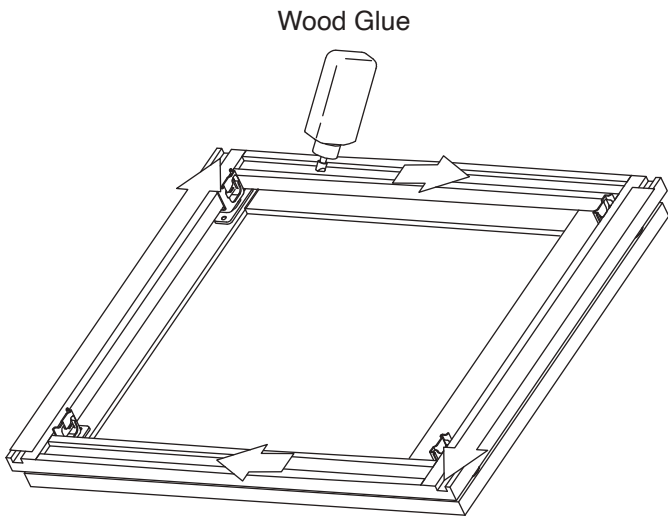


Eye Wear

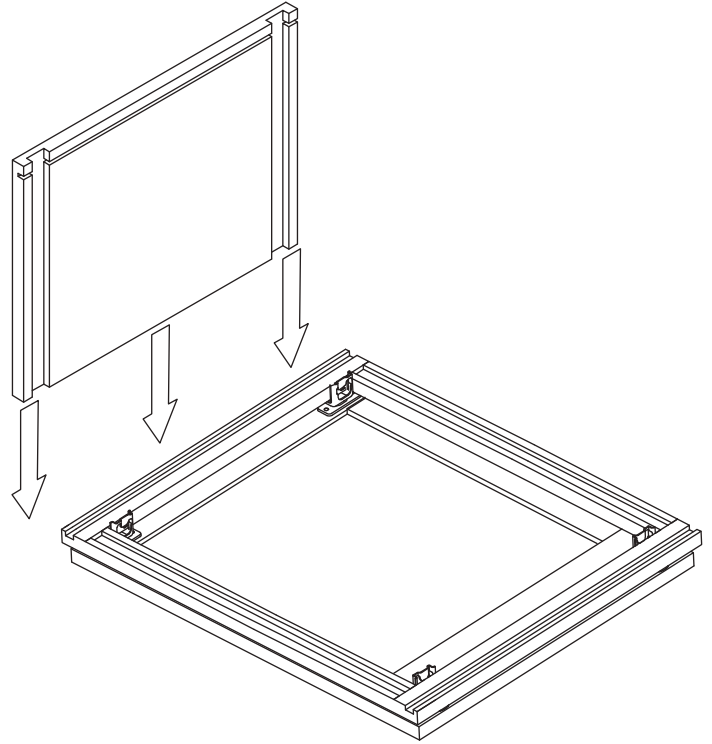


Gloves

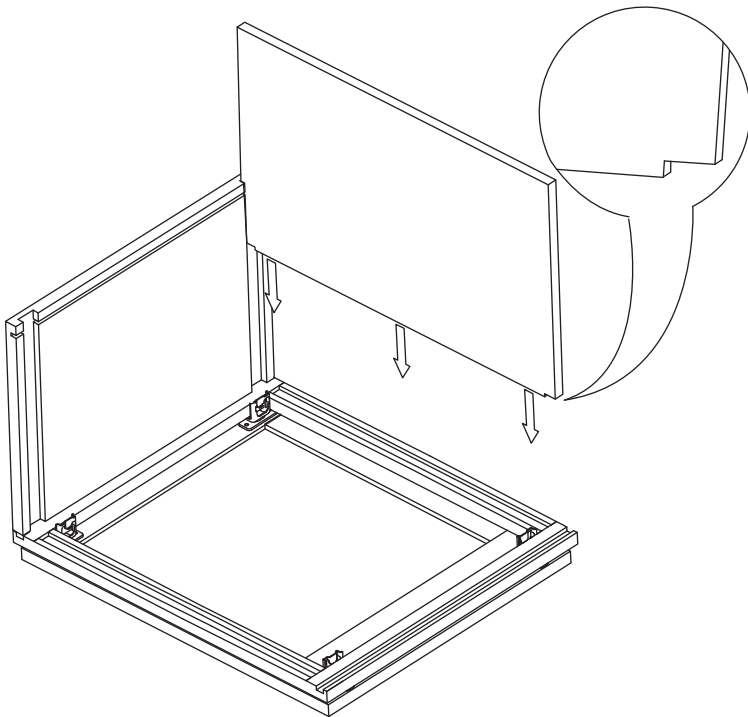
Step 1:



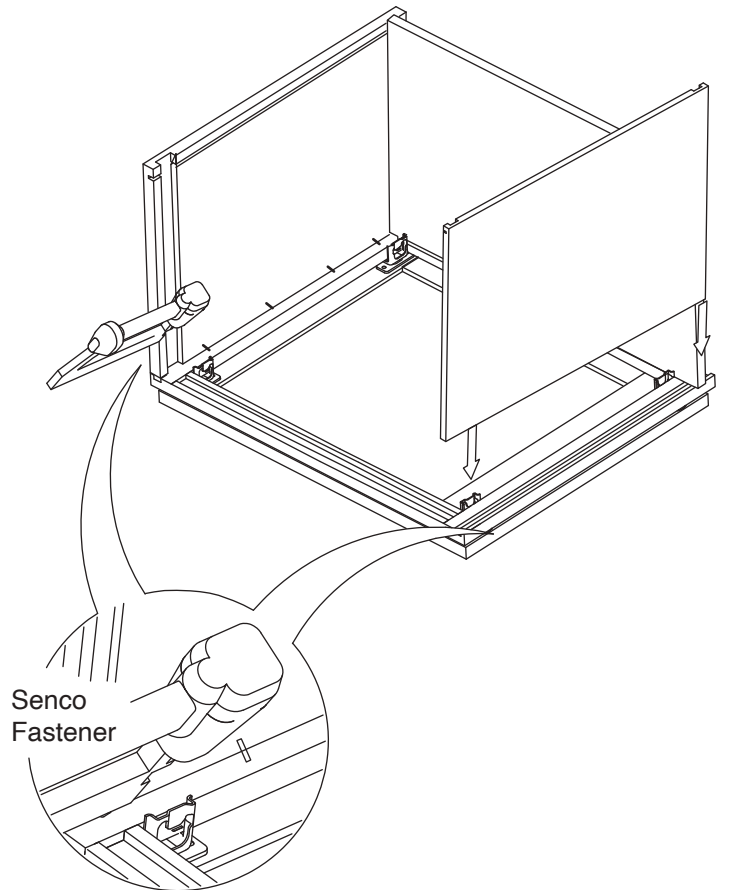
Step 2:



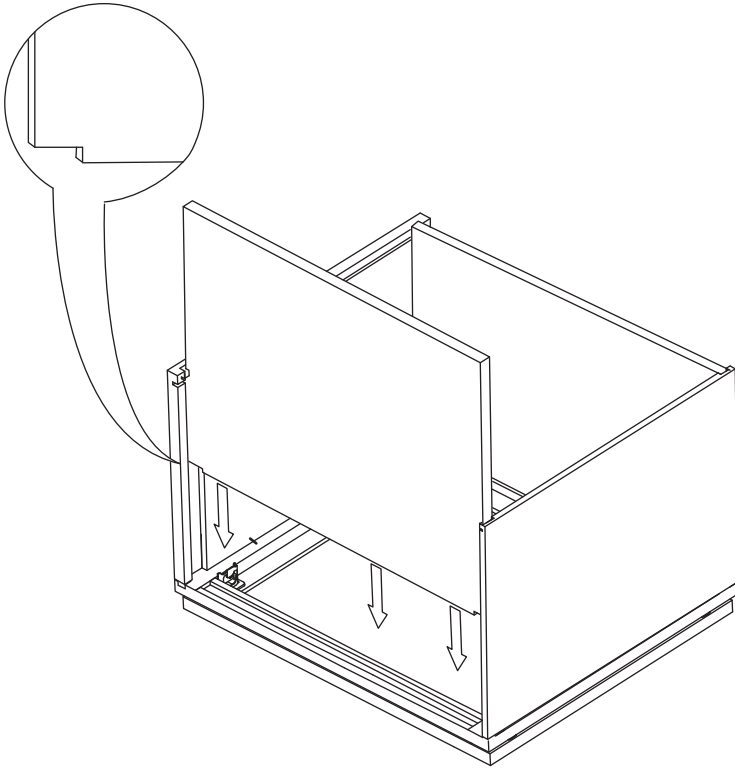
Step 3:



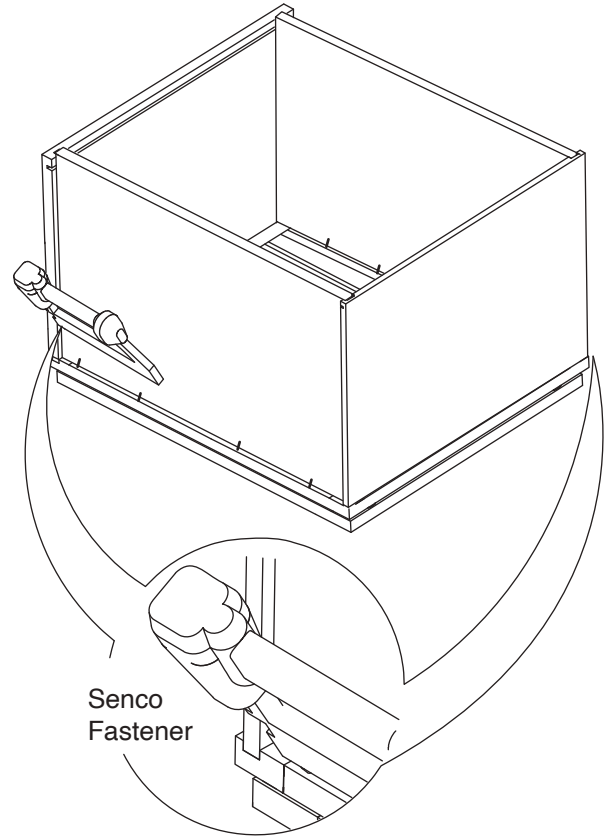
Step 4:



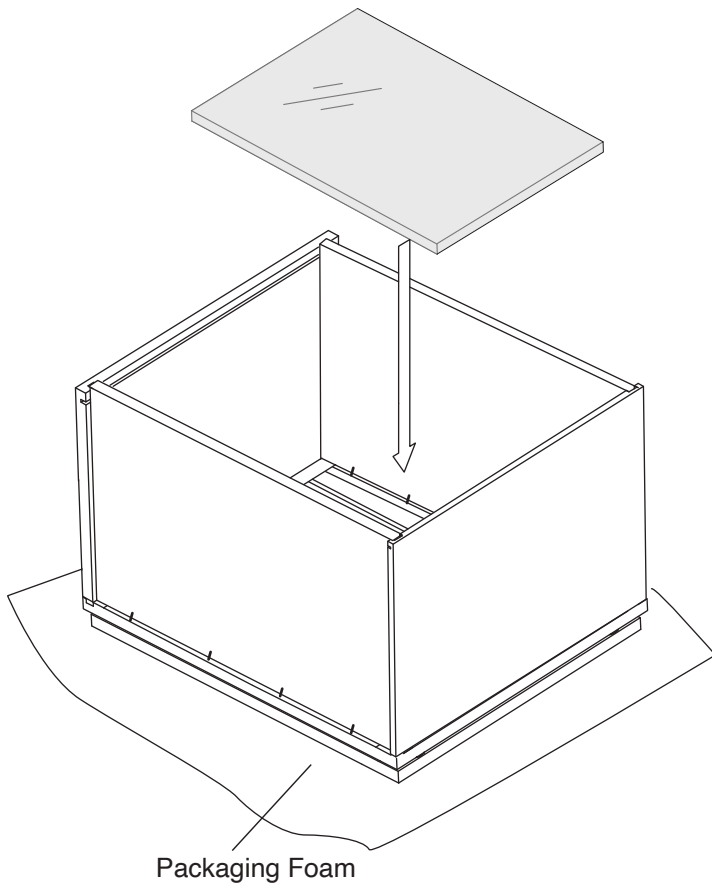
Step 5:



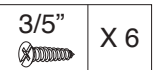
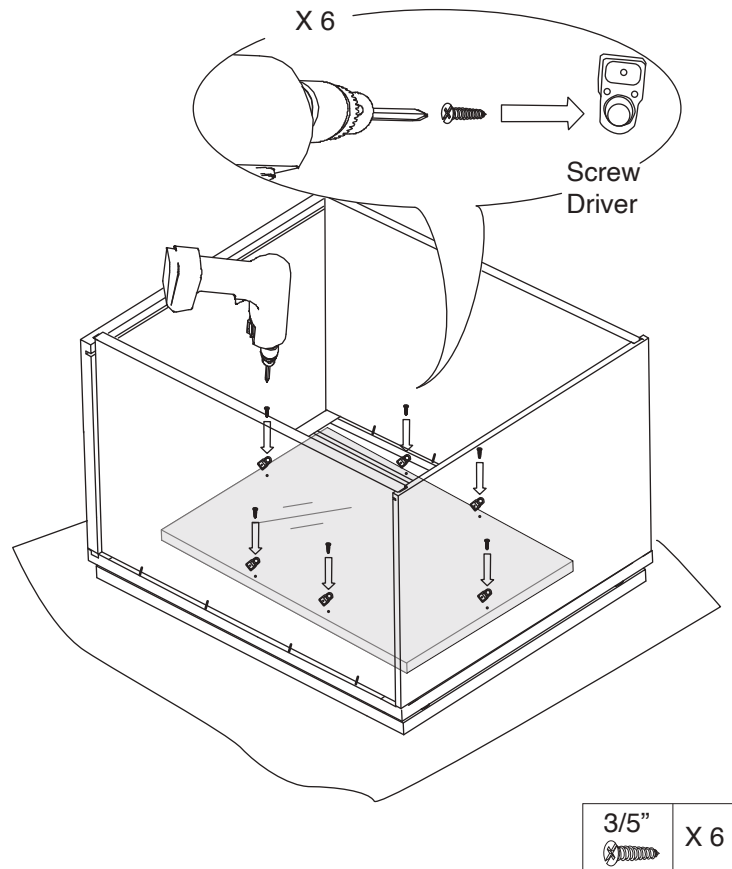
Step 6:



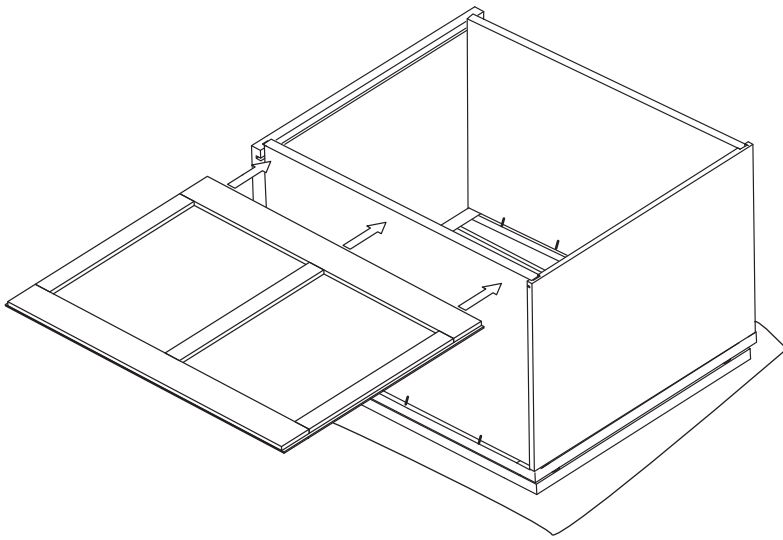
Step 7:



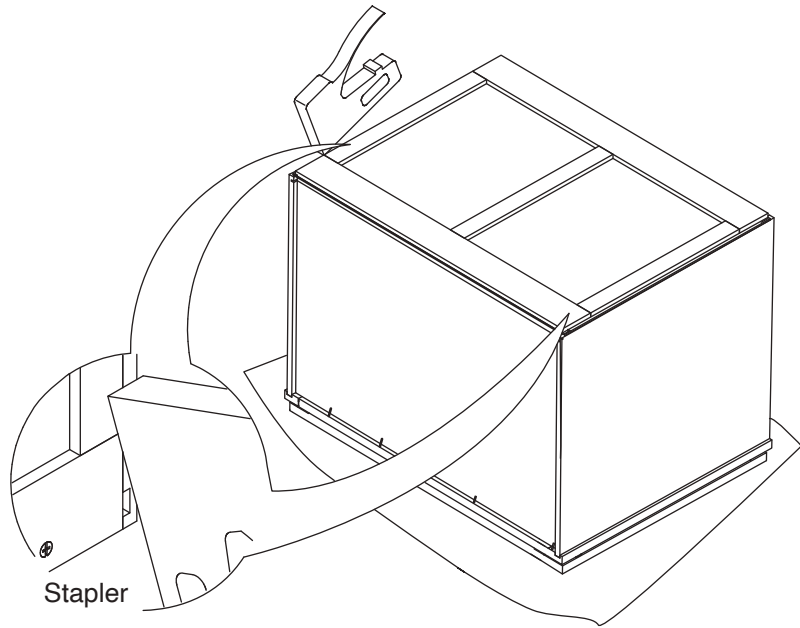
Step 8:



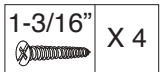
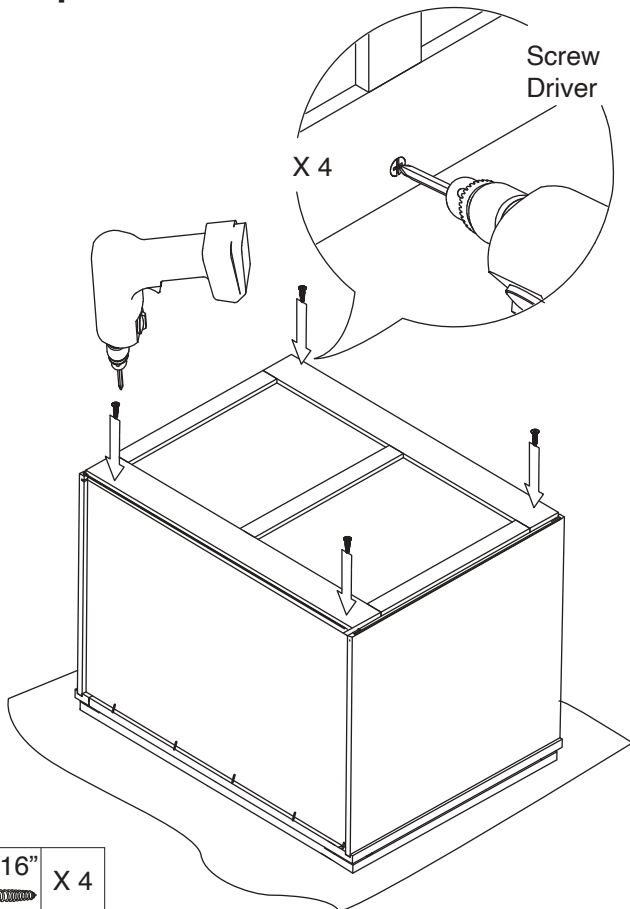
Step 9:



Step 10:



Step 11:



Step 12:

