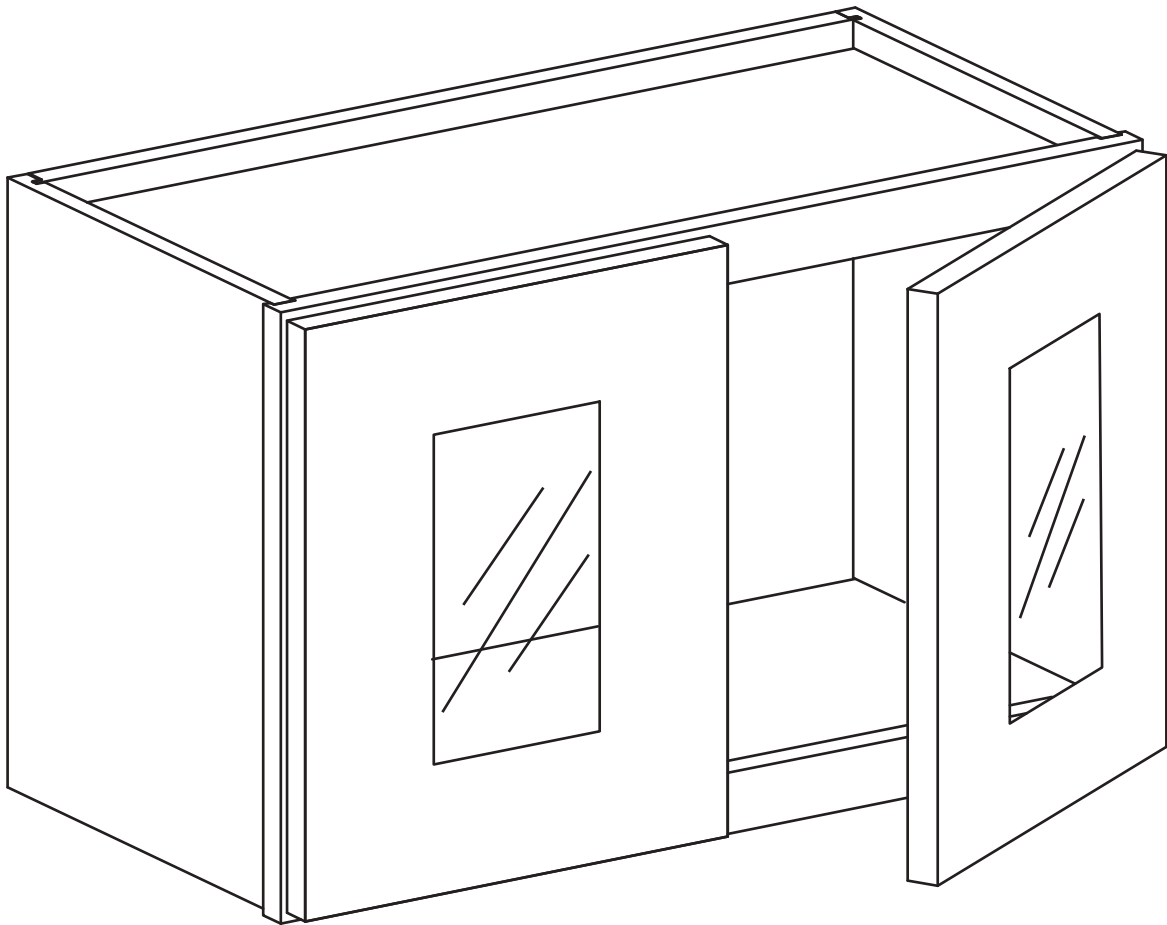


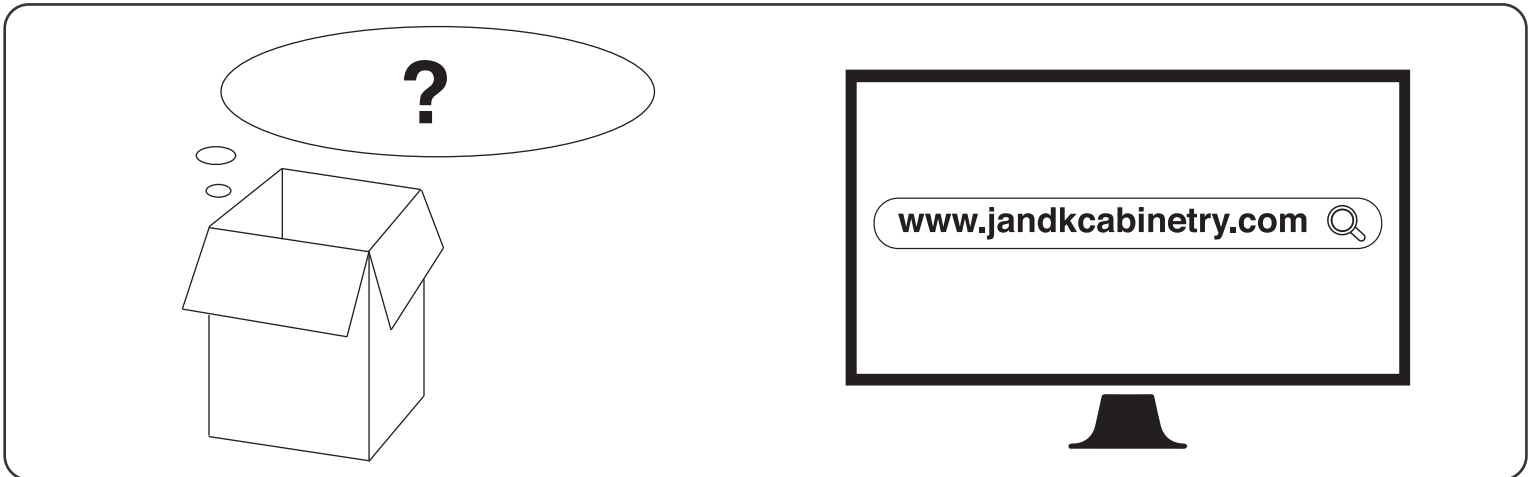
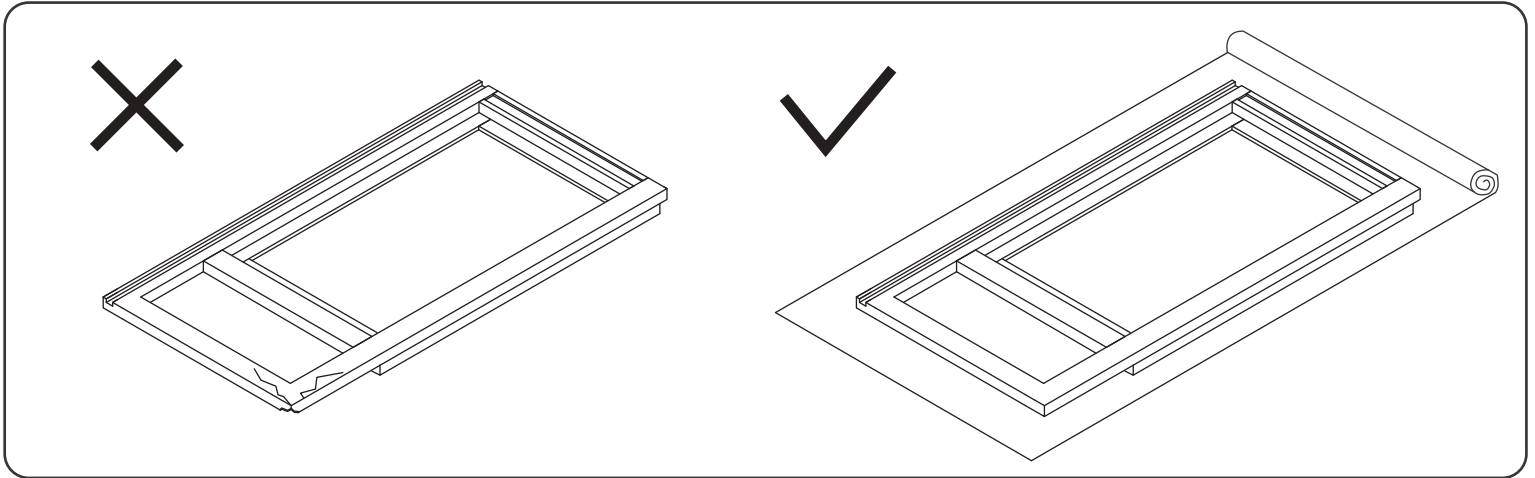
# Assembly Instruction



## Wall Cabinet Glass Insert Door

Item Code:

WM2412H, WM2712H, WM3012H, WM3312H, WM3612H, WM3018H



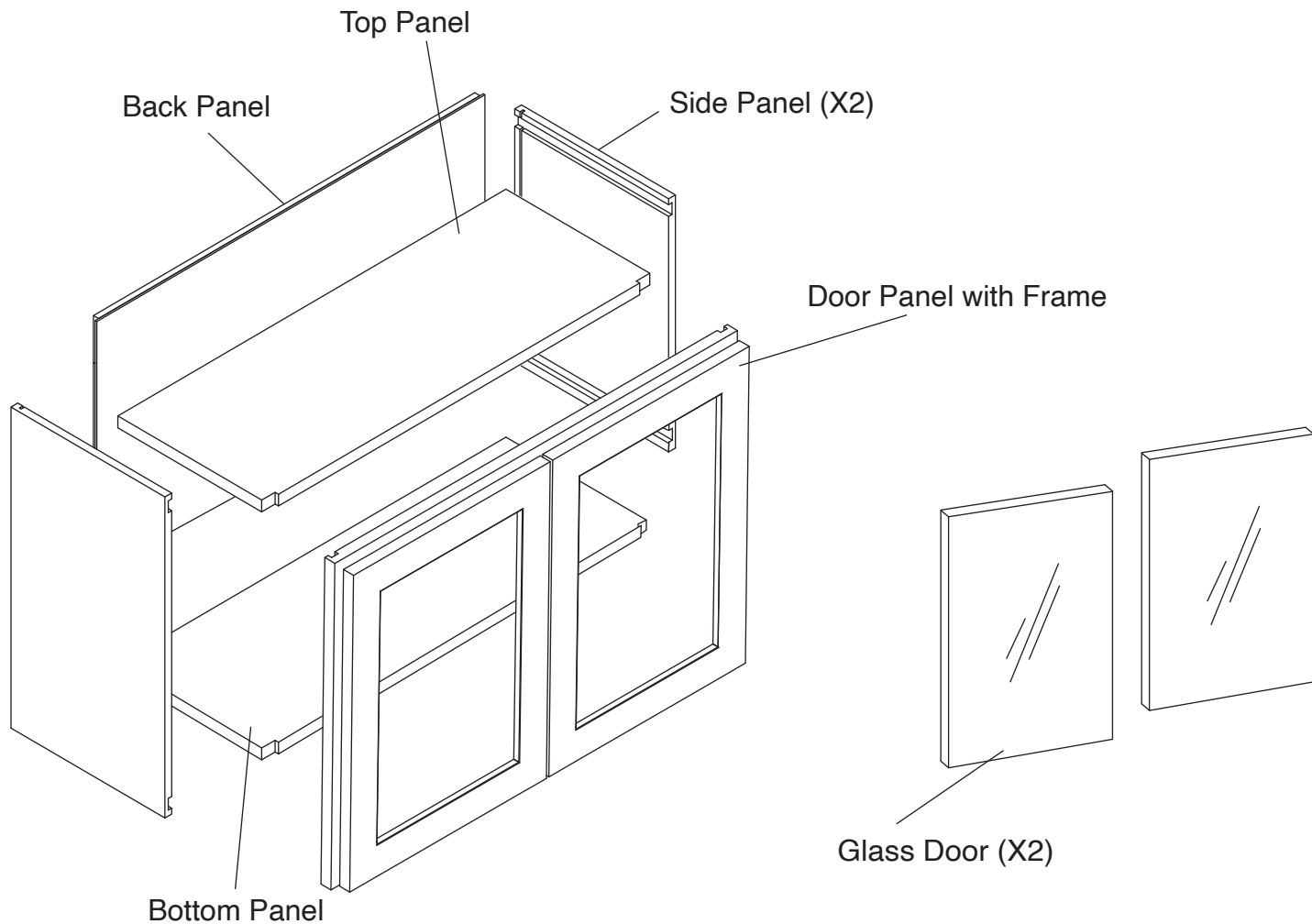
**! WARNING:**

1. Please be careful when opening the box with boxcutter and/or blade.
2. J&K Cabinetry is not responsible for any injuries and/or damages incurred during cabinet assembly.



**? SERVICE:**


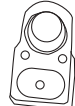
During the installation process, if you encounter any problems, please go to our official website: [www.jandkcabinetry.com](http://www.jandkcabinetry.com), check the full version assembly instruction or watch the assembly video online.

# Included Items:



**Notes: Glass Doors NOT Included**

1-3/16" 	
Screws X 8	Door Bumpers X 4

3/5" 	
Screws X 8	Glass Door Retainer Clips X 8

## Recommended Tools:



Wood Glue



Screw Driver



Rubber Mallet



Compressor



Nail Gun



Stapler



Senco Fastener



Packaging Foam

## Safety Tools:

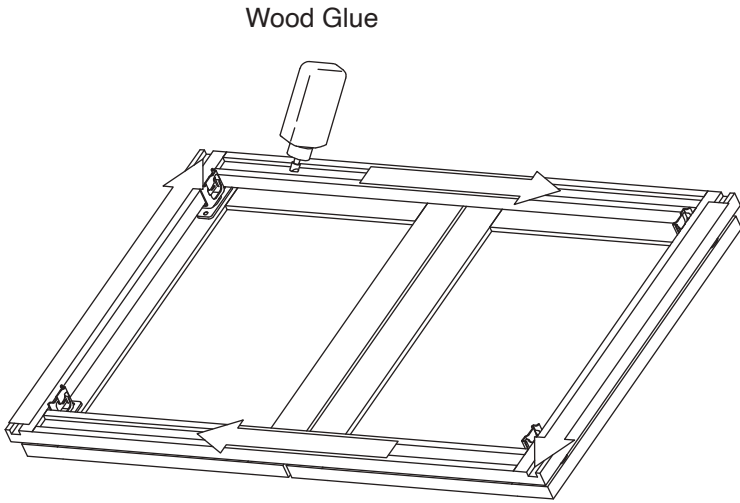


Eye Wear

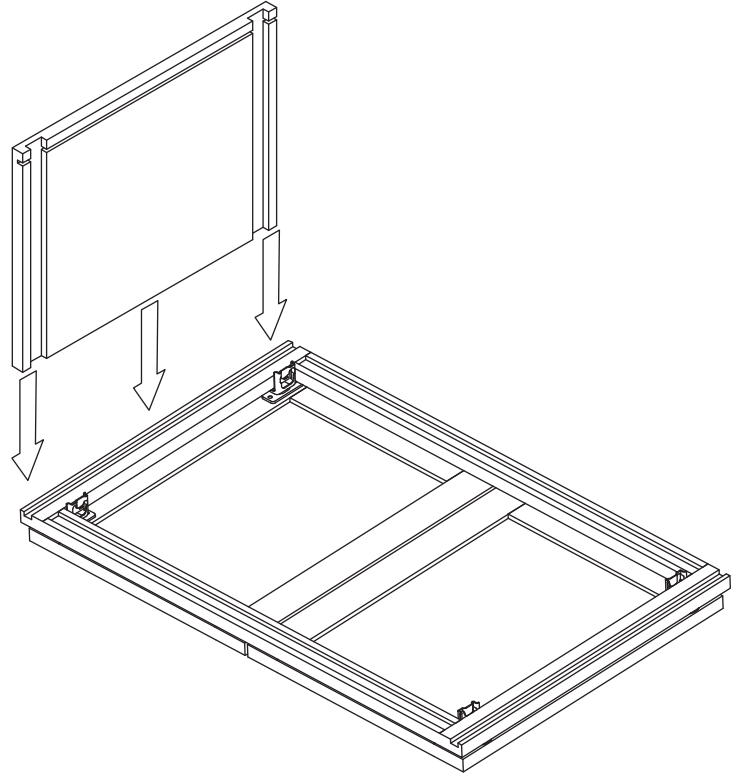


Gloves

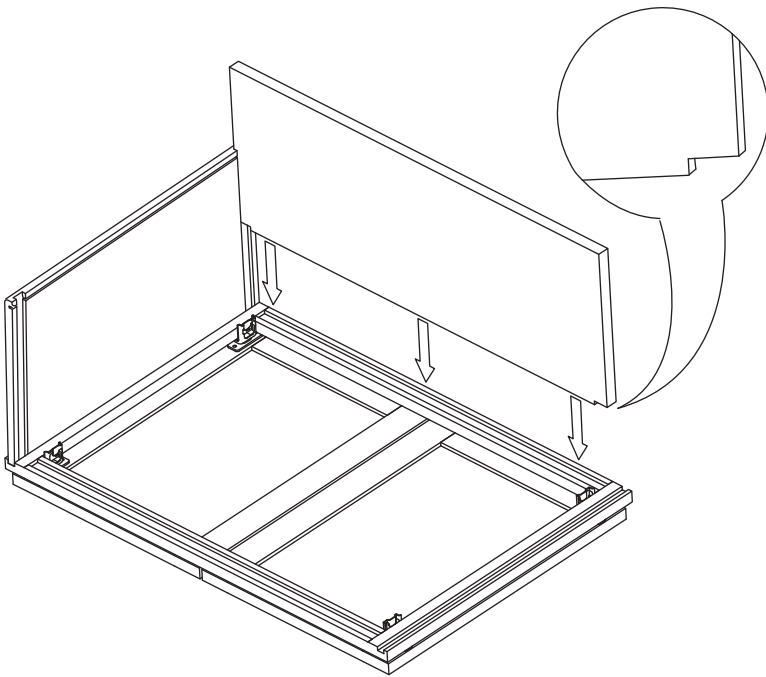
### Step 1:



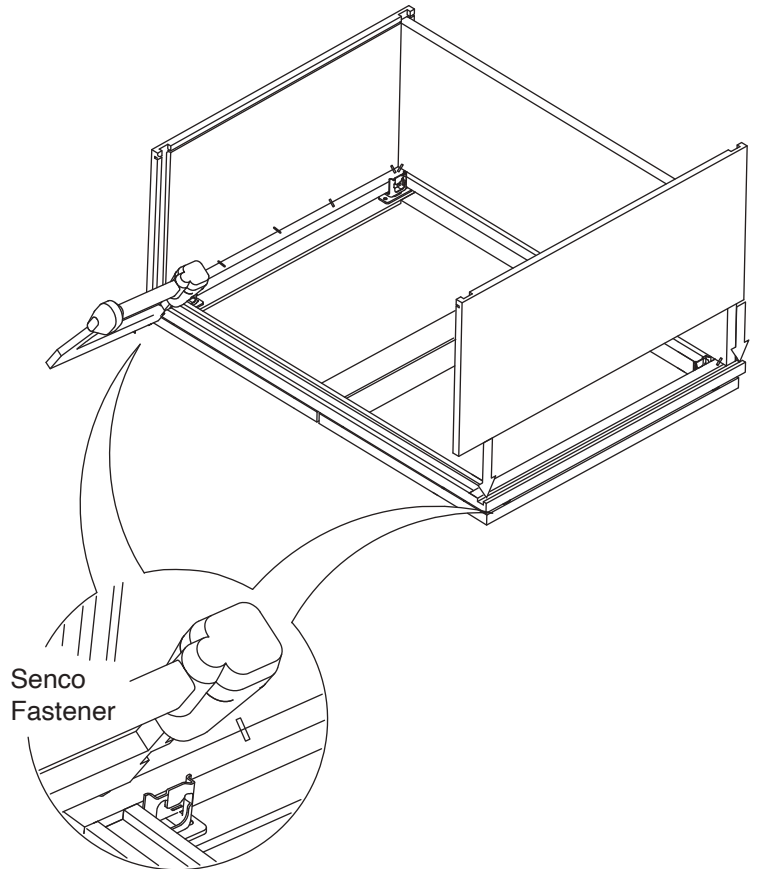
### Step 2:



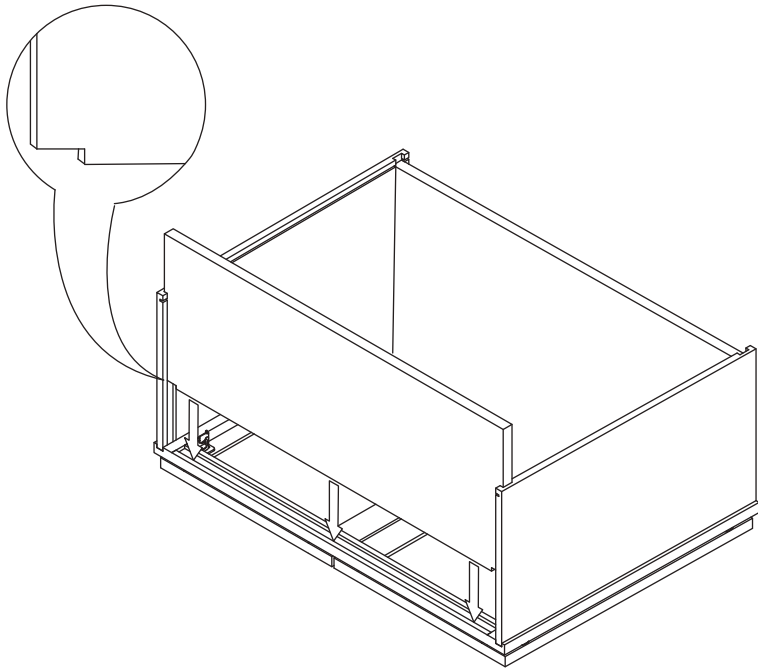
### Step 3:



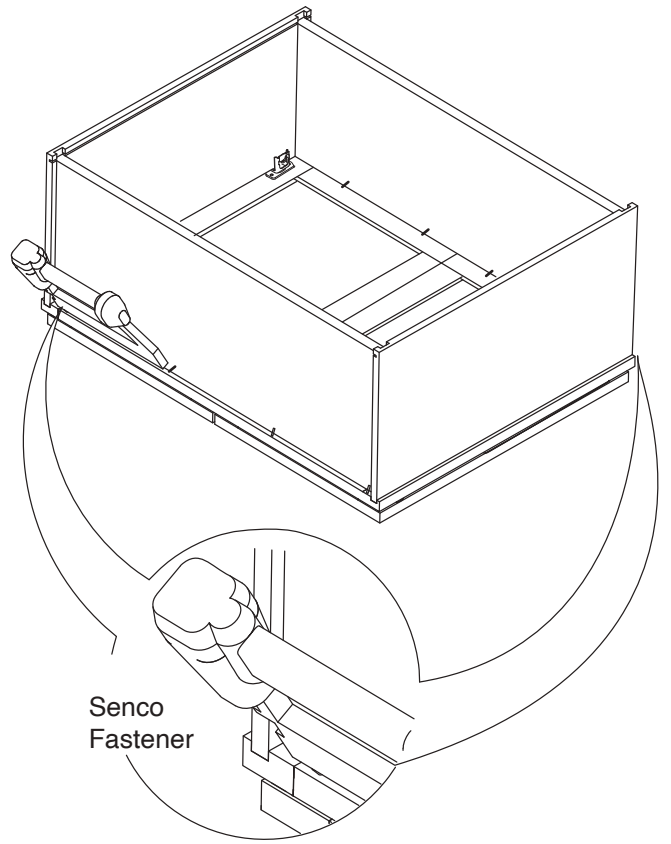
### Step 4:



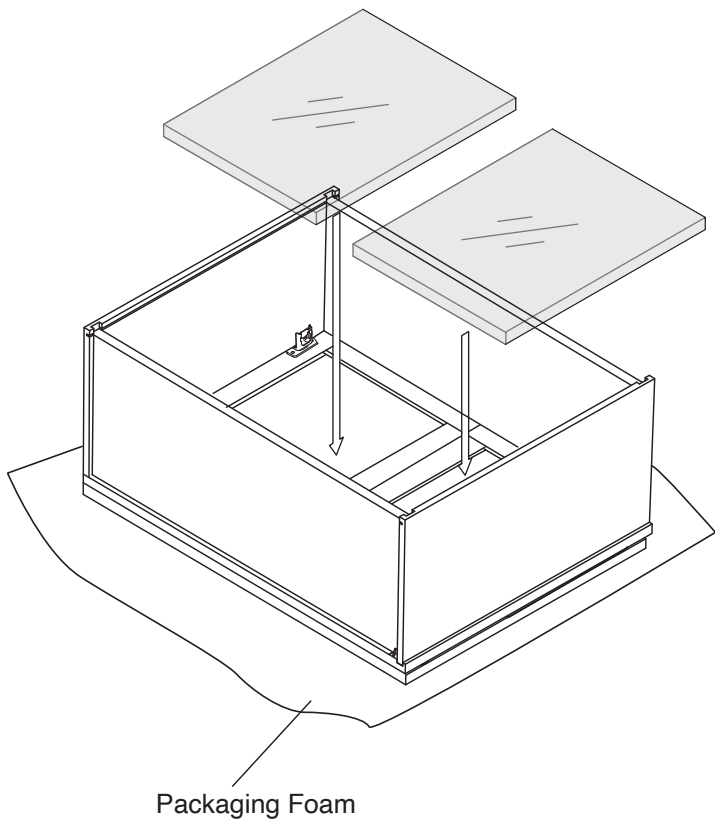
### Step 5:



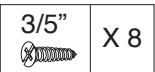
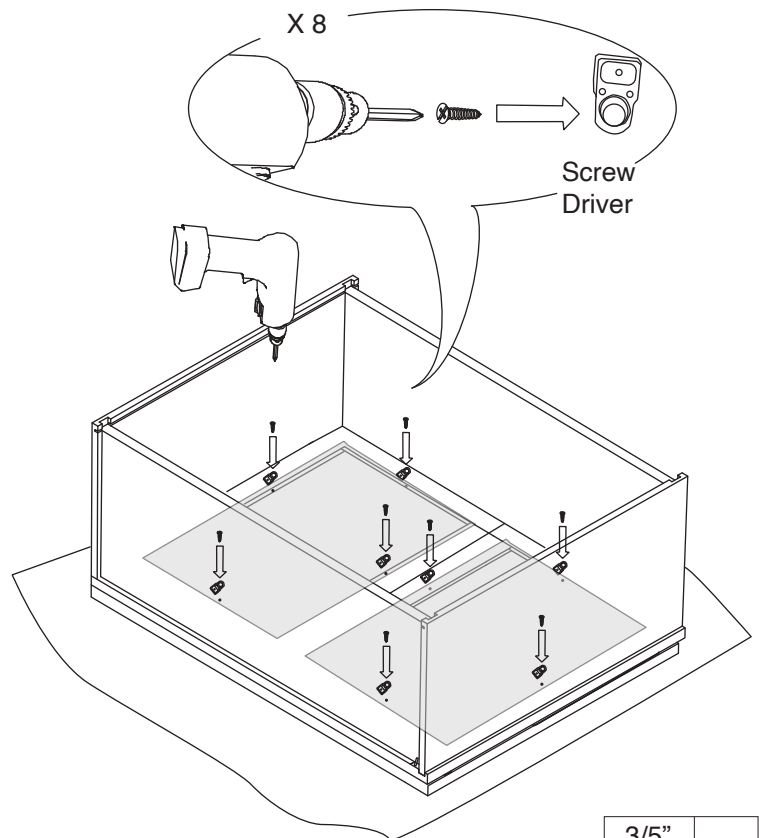
### Step 6:



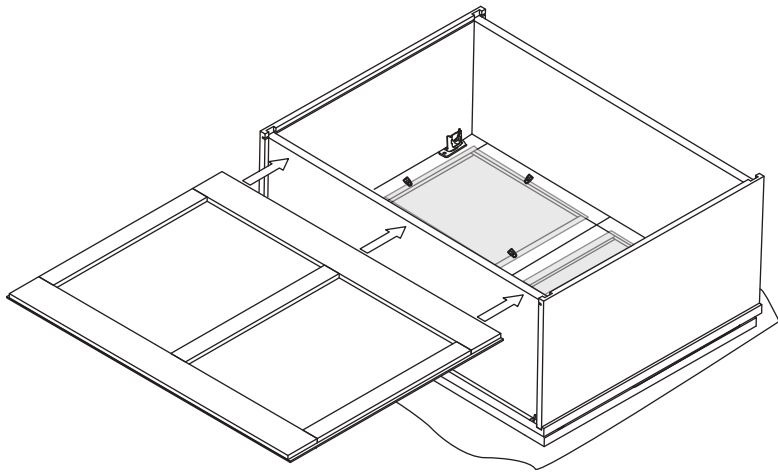
### Step 7:



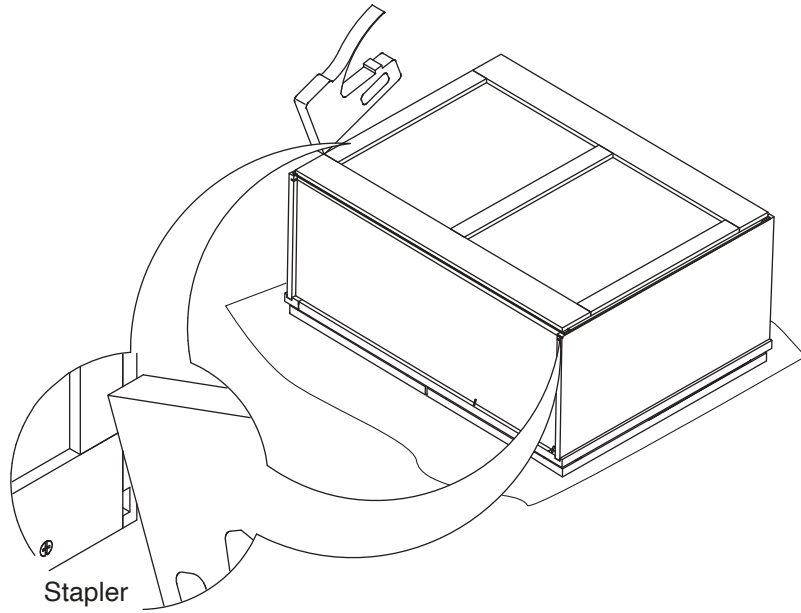
### Step 8:



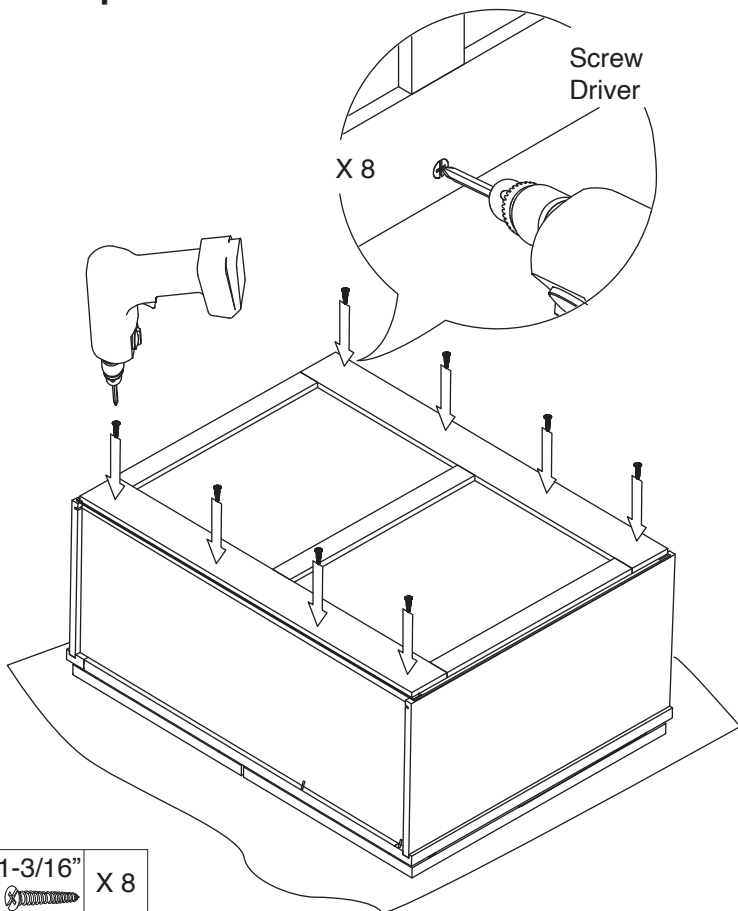
### Step 9:



### Step 10:



### Step 11:



### Step 12:

