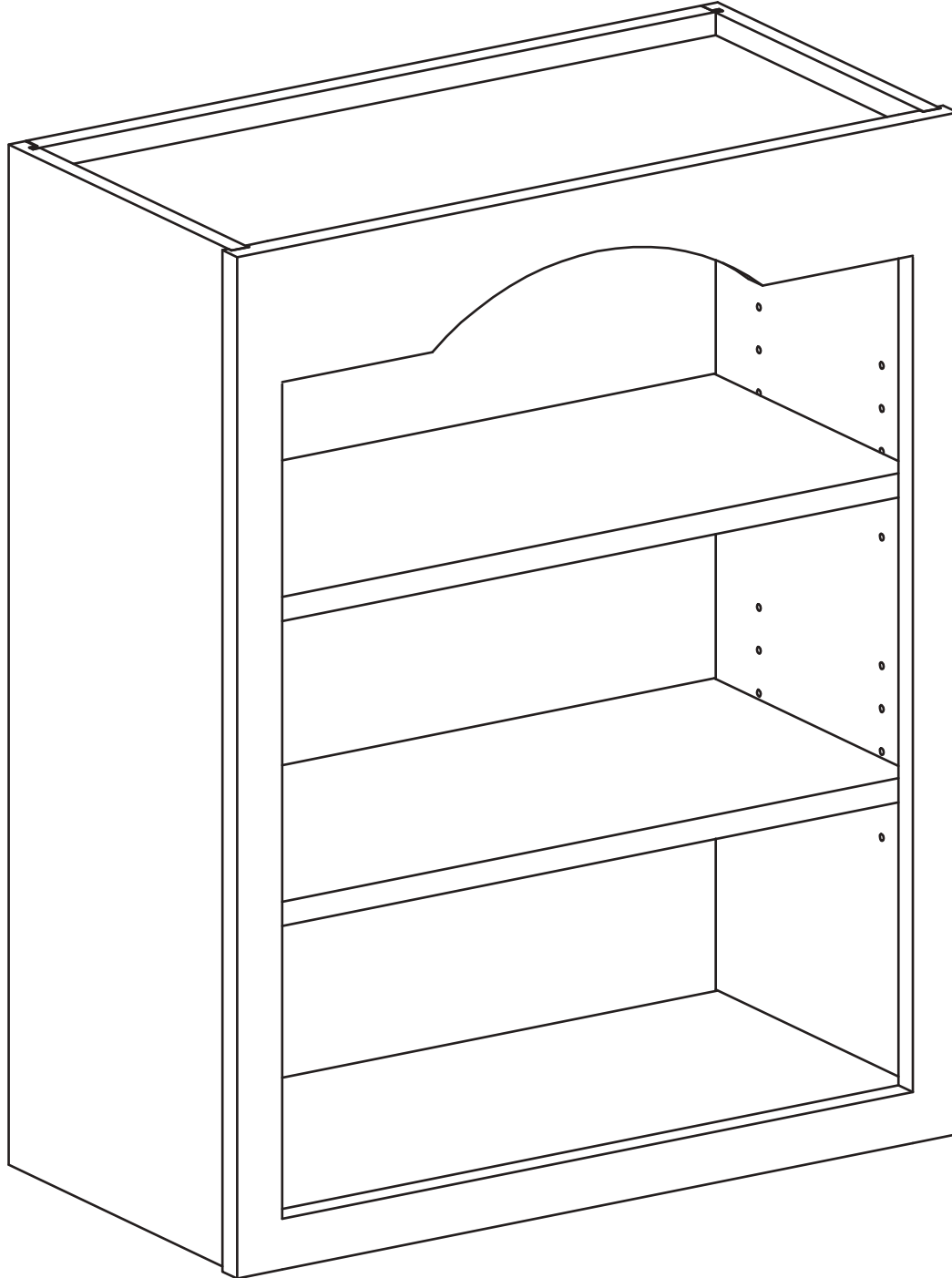


Assembly Instruction

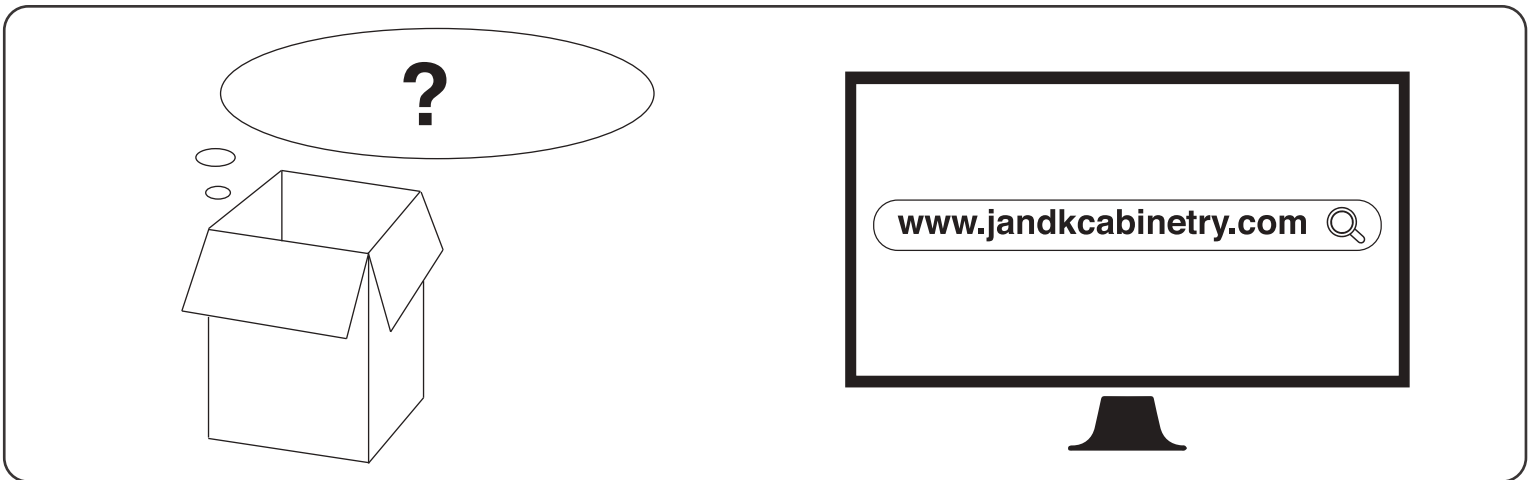
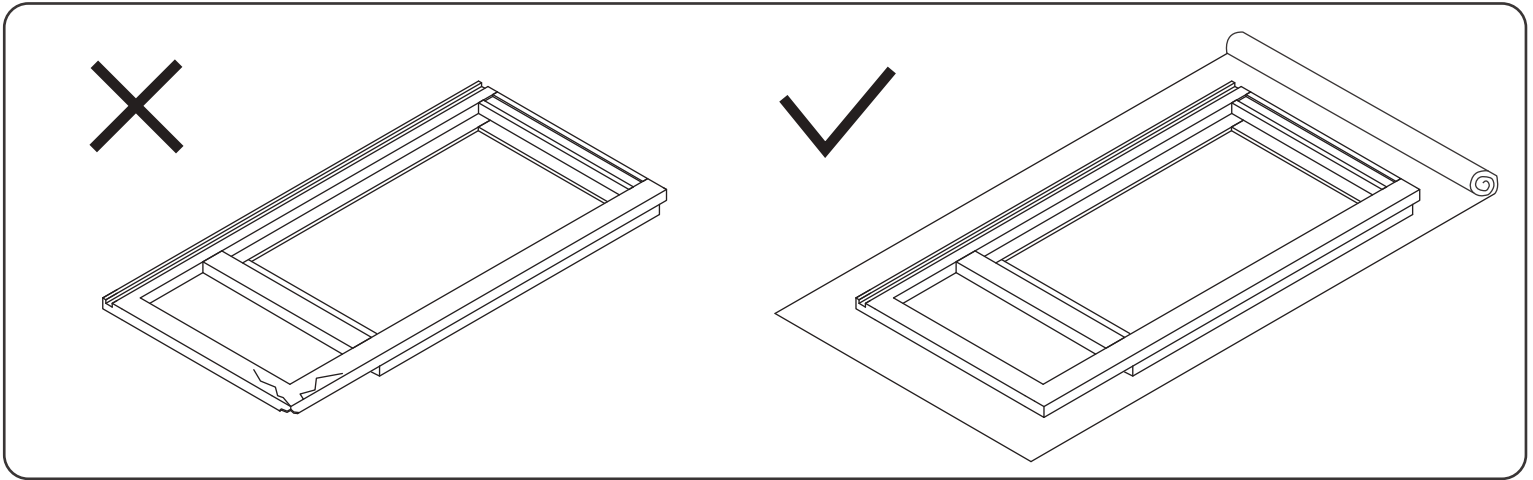
2020 Edition



Wall Open Shelf

Item Code:

WOS2430, WOS3030, WOS2436, WOS3036



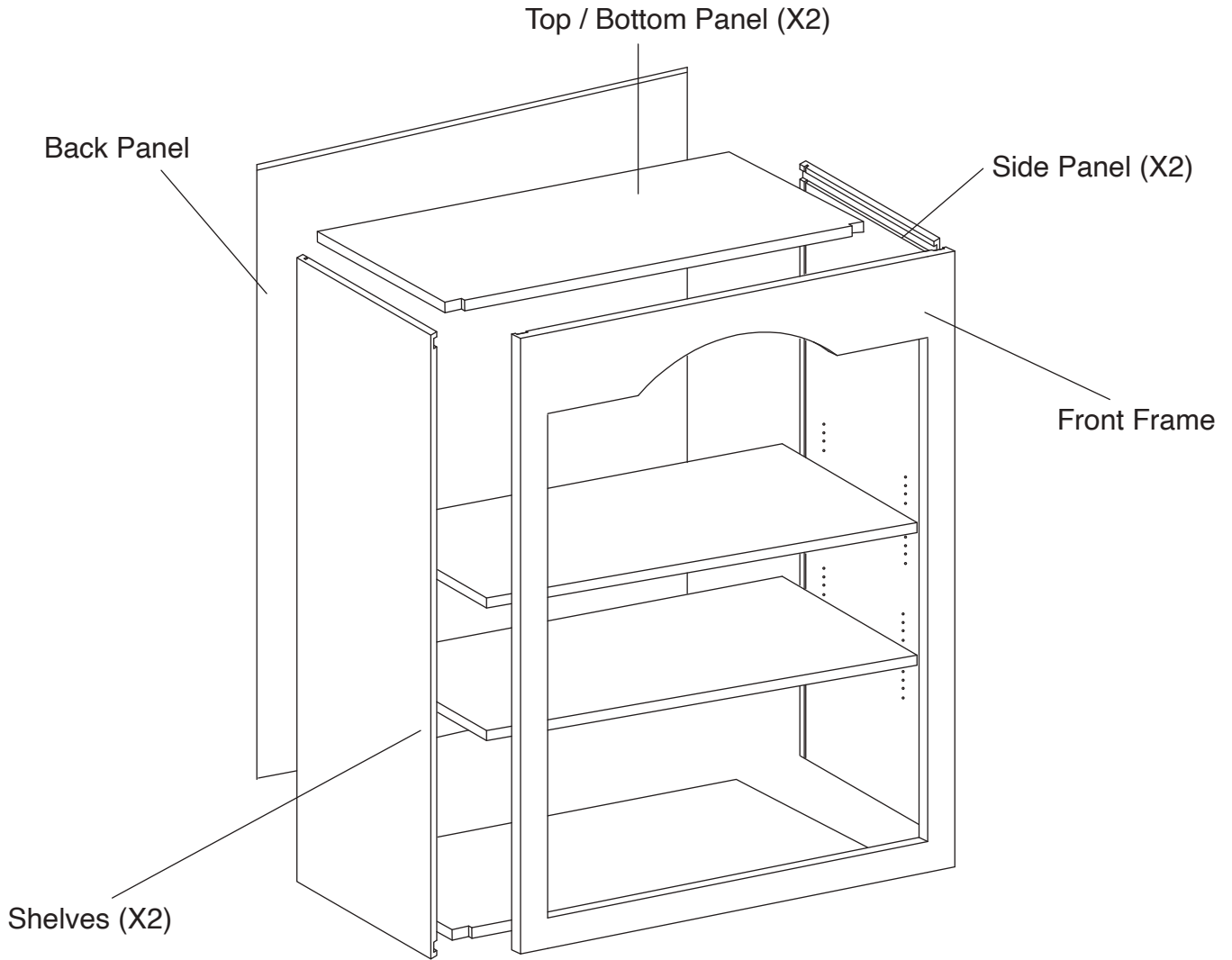
 **WARNING:**



1. Please be careful when opening the box with boxcutter and/or blade.
2. J&K Cabinetry is not responsible for any injuries and/or damages incurred during cabinet assembly.

 **SERVICE:**

During the installation process, if you encounter any problems, please go to our official website: www.jandkcabinetry.com, check the full version assembly instruction or watch the assembly video online.

Included Items:



1-3/16" 	
Screws X 8	Glass Shelf Pins X 8

Recommended Tools:



Wood Glue



Screw Driver



Rubber Mallet



Compressor



Nail Gun



Stapler



Senco Fastener

Safety Tools:



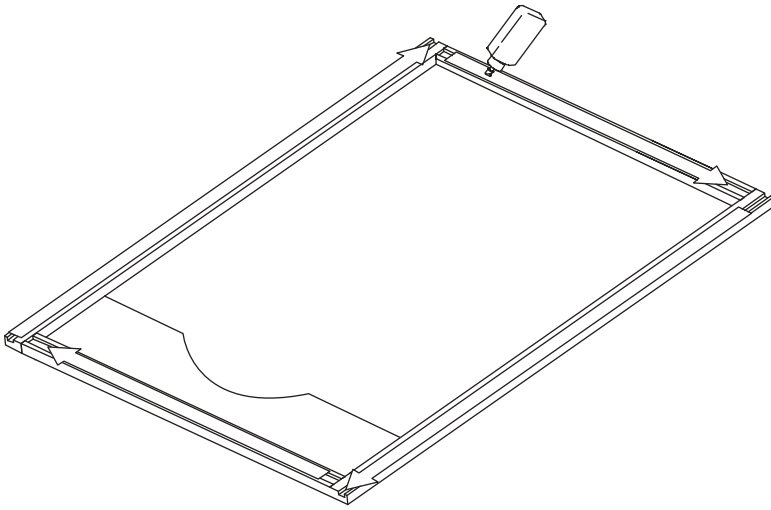
Eye Wear



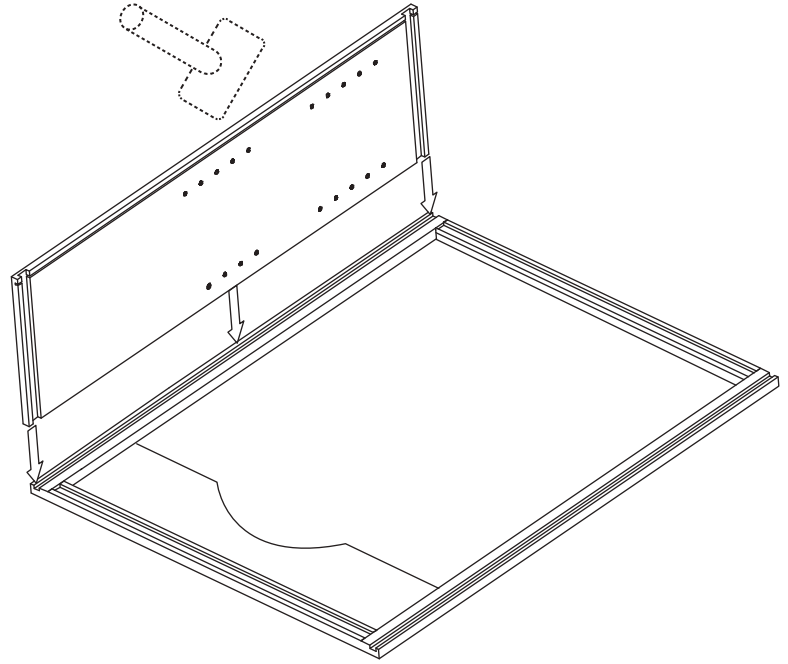
Gloves

Step 1:

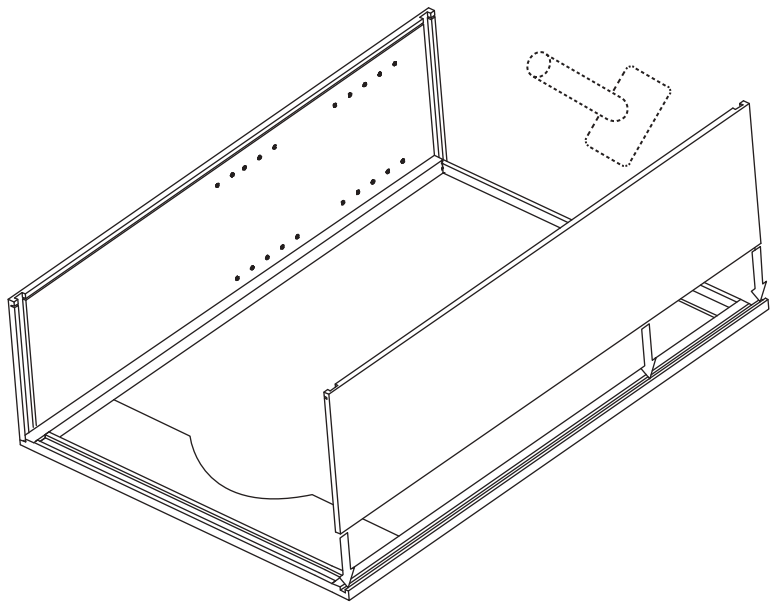
Wood Glue



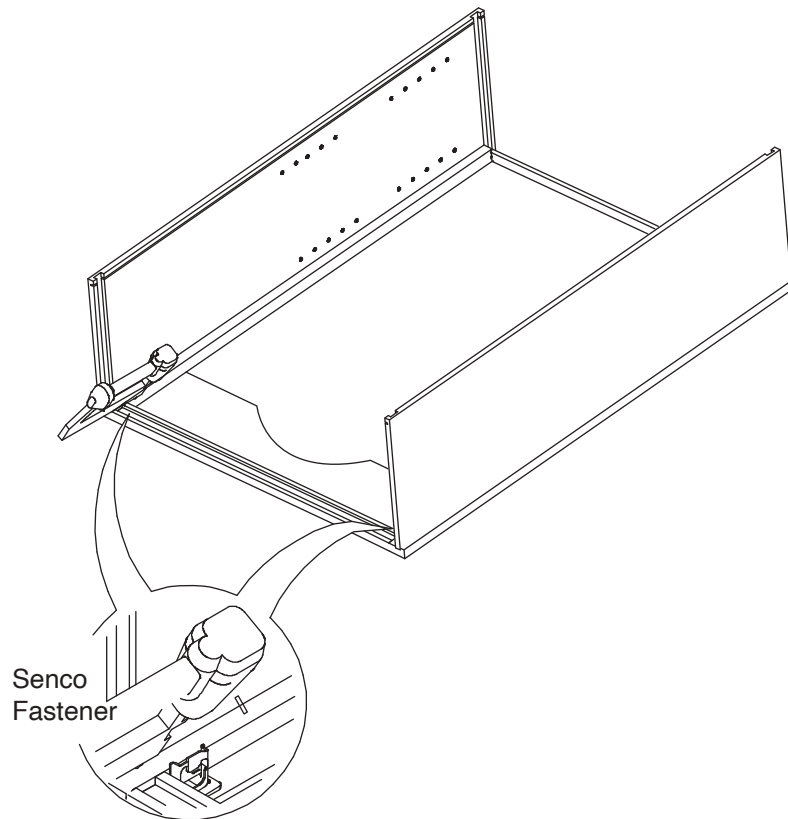
Step 2:



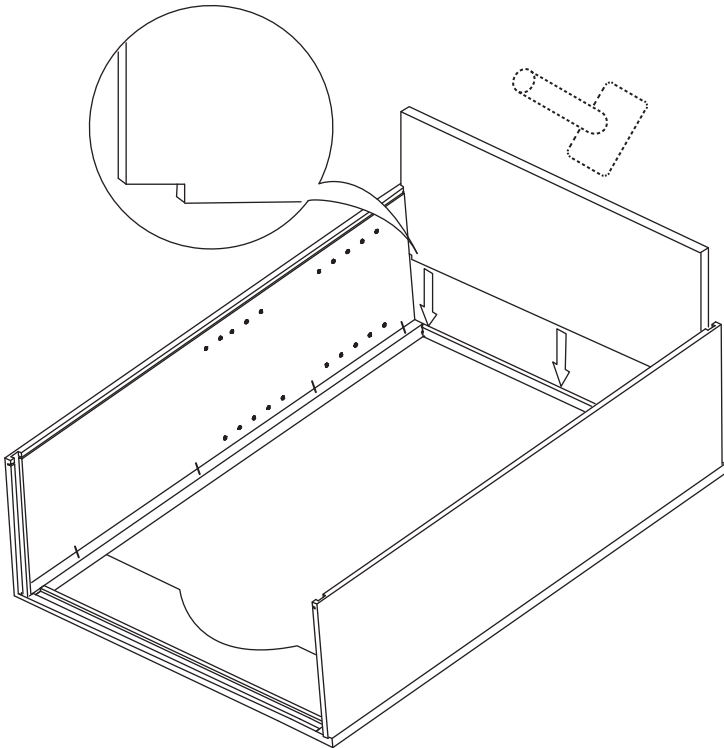
Step 3:



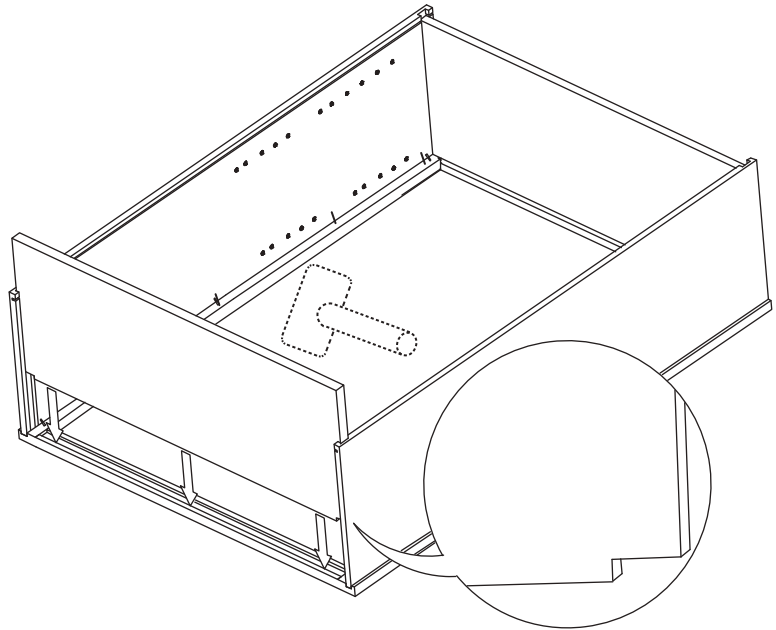
Step 4:



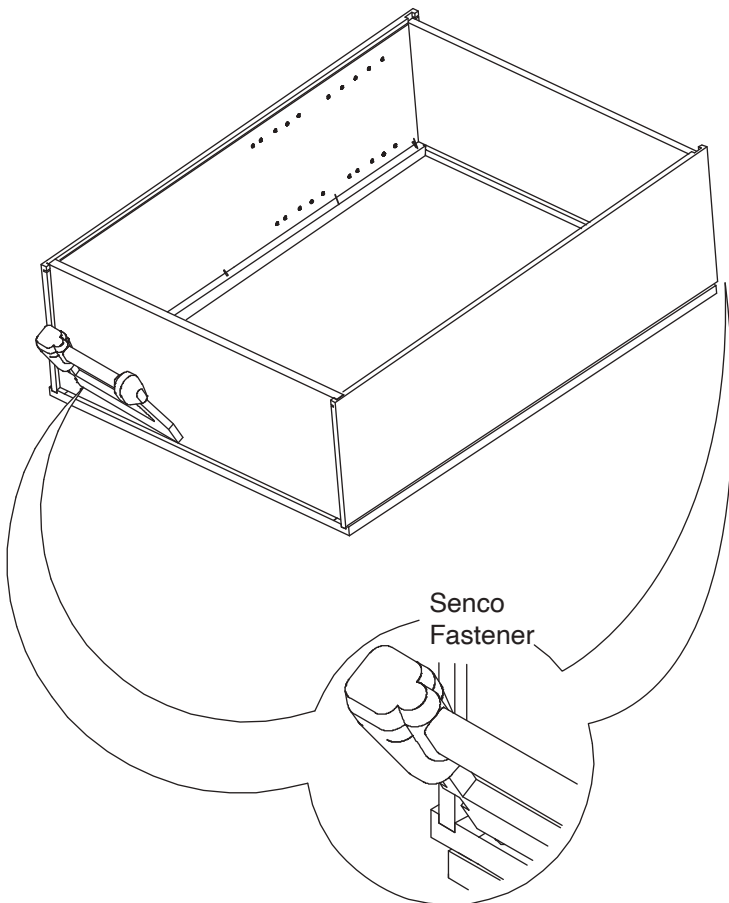
Step 5:



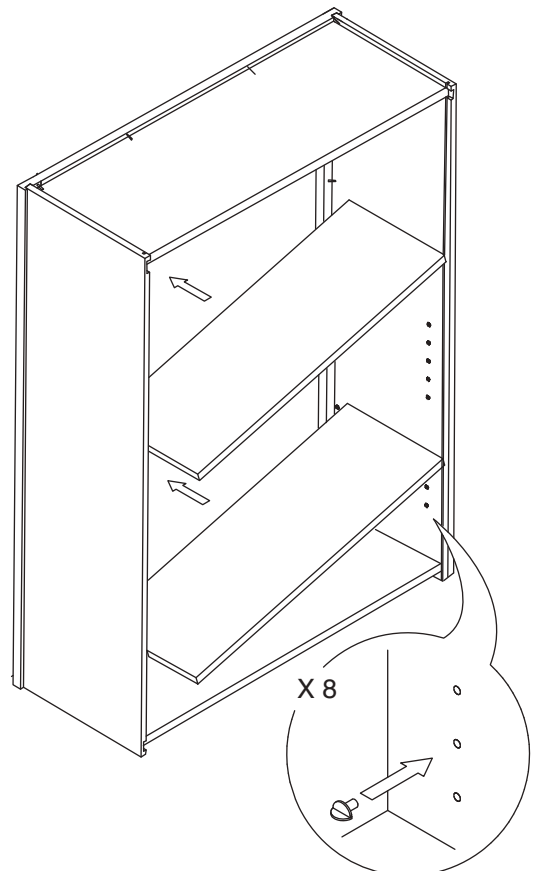
Step 6:



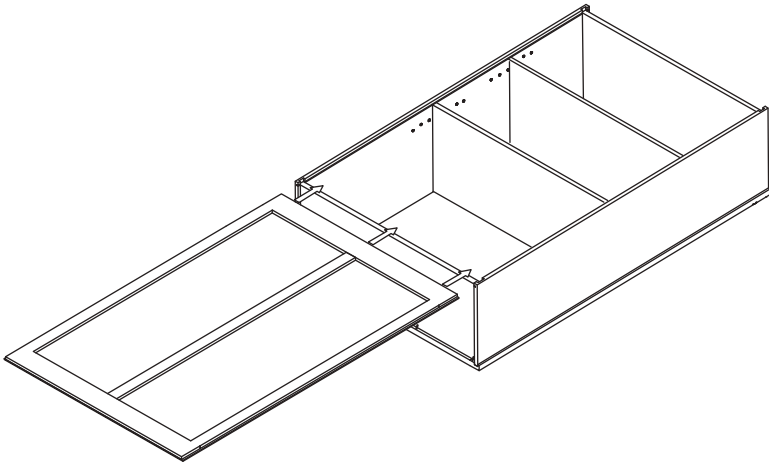
Step 7:



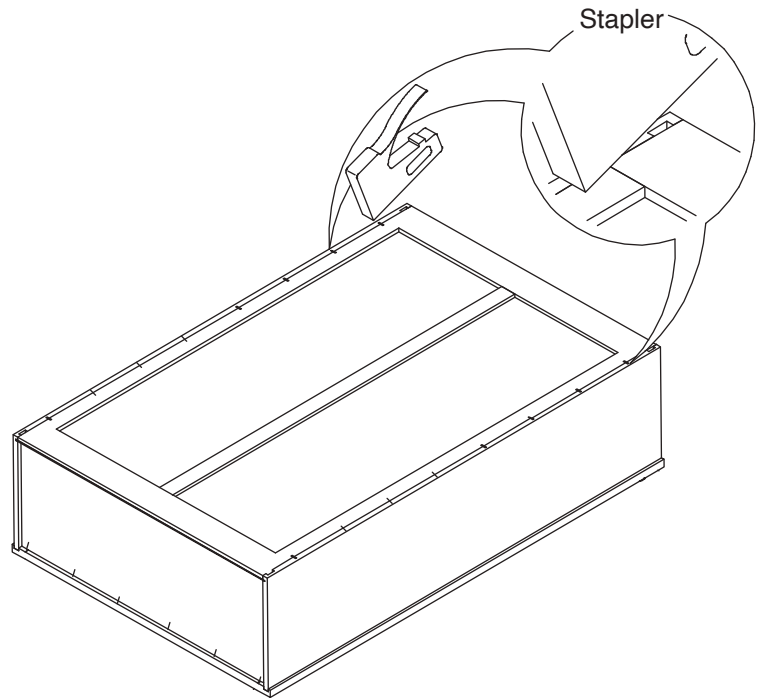
Step 8:



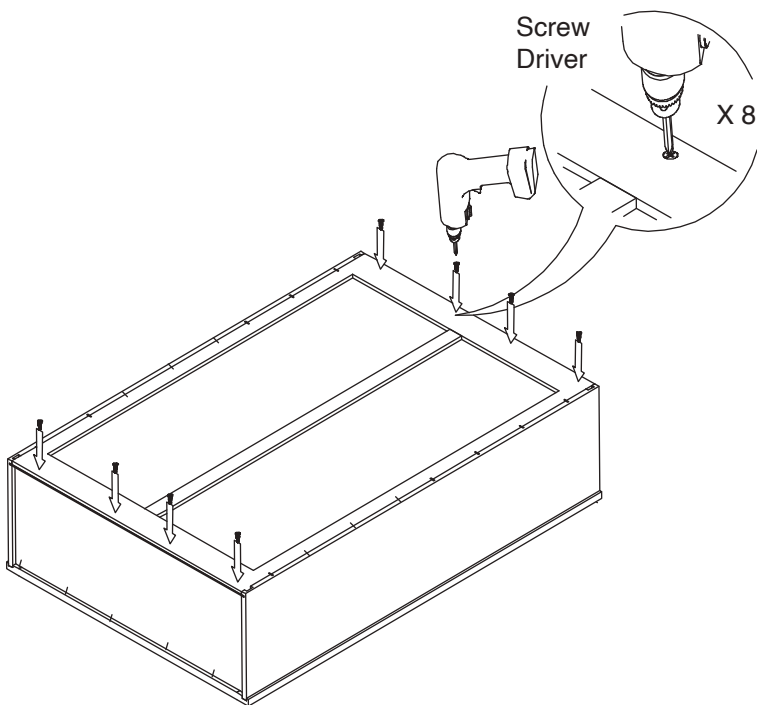
Step 9:



Step 10:



Step 11:



Step 12:

