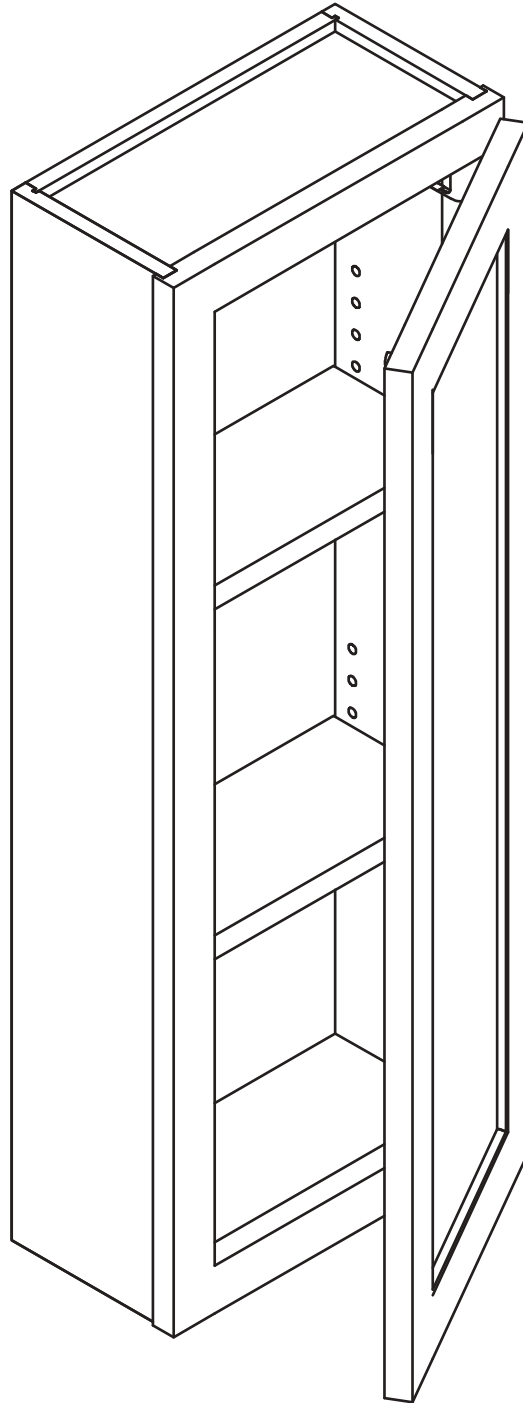


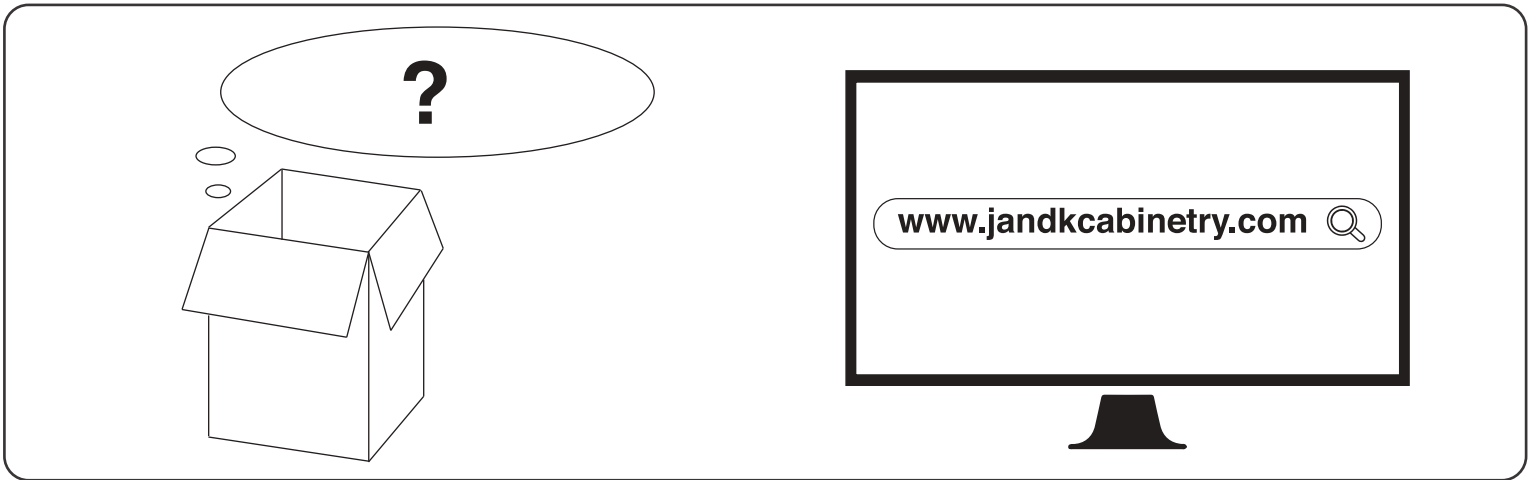
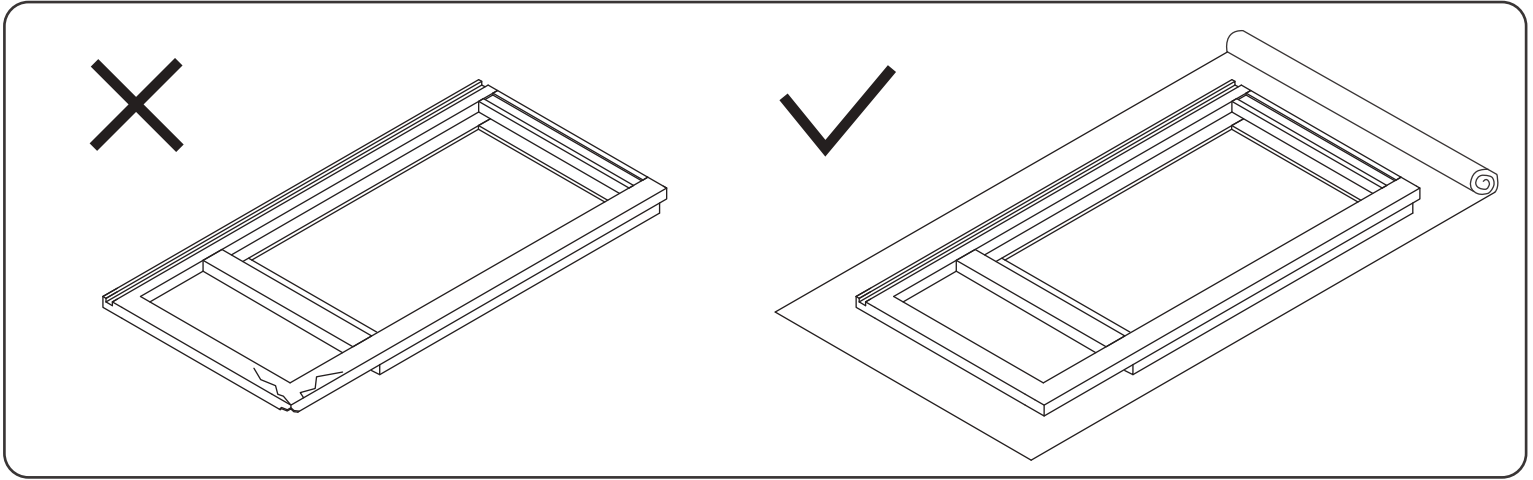
Assembly Instruction

2020 Edition



Vanity Medicine Cabinet

Item Code:
WV12336



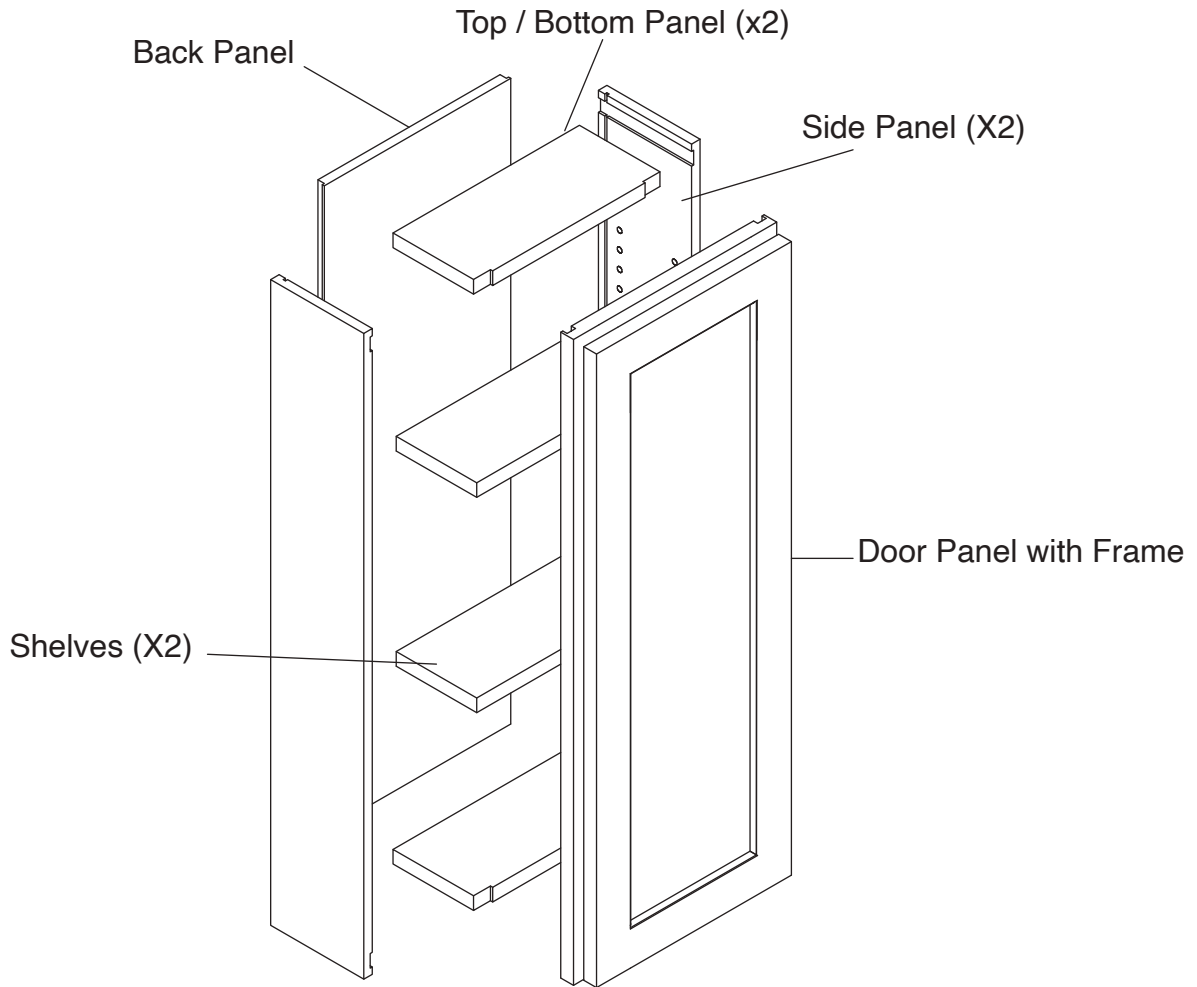
 **WARNING:**

1. Please be careful when opening the box with boxcutter and/or blade.
2. J&K Cabinetry is not responsible for any injuries and/or damages incurred during cabinet assembly.

 **SERVICE:**

During the installation process, if you encounter any problems, please go to our official website: www.jandkcabinetry.com, check the full version assembly instruction or watch the assembly video online.

Included Items:



1-1/4" 		
Screws X 4	Door Bumpers X 2	Shelf Pins X 8

Recommended Tools:



Wood Glue



Screw Driver



Rubber Mallet



Compressor



Nail Gun



Stapler



Senco Fastener

Safety Tools:

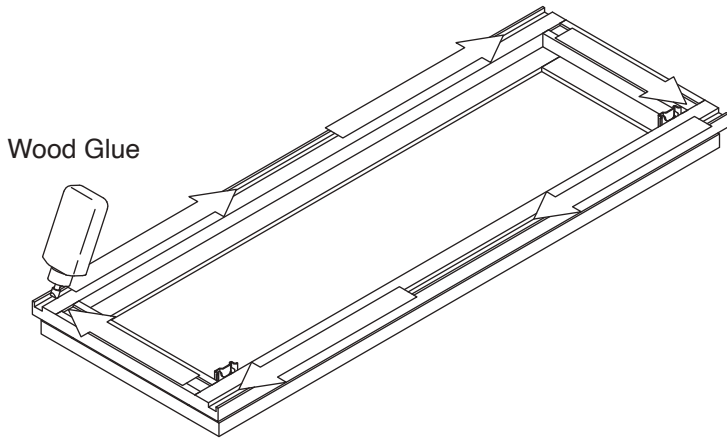


Eye Wear

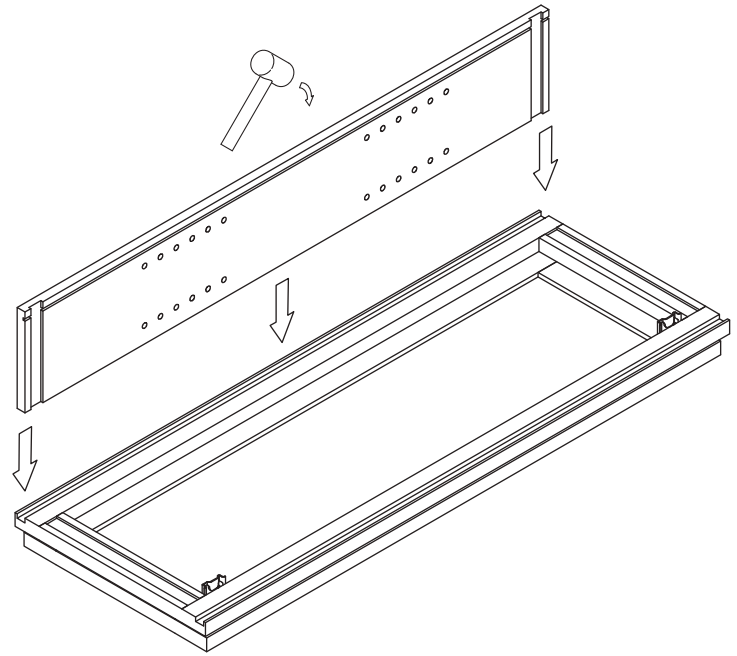


Gloves

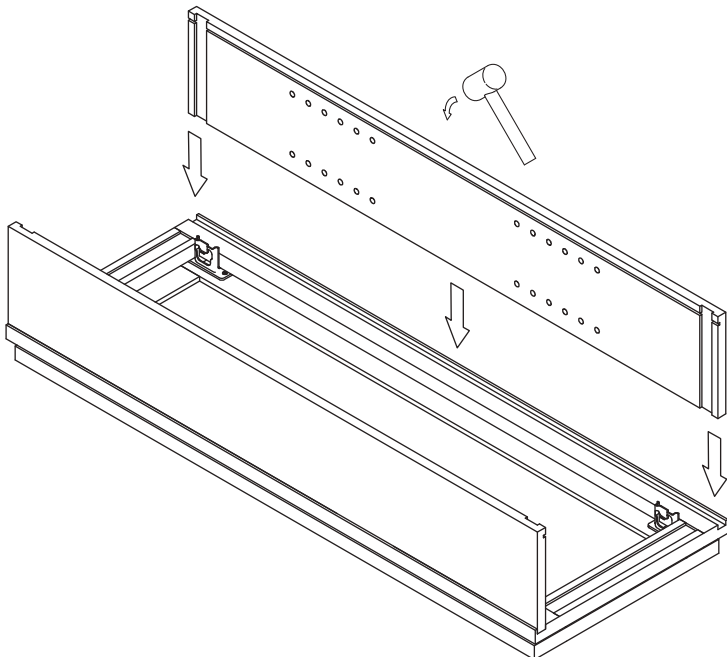
Step 1:



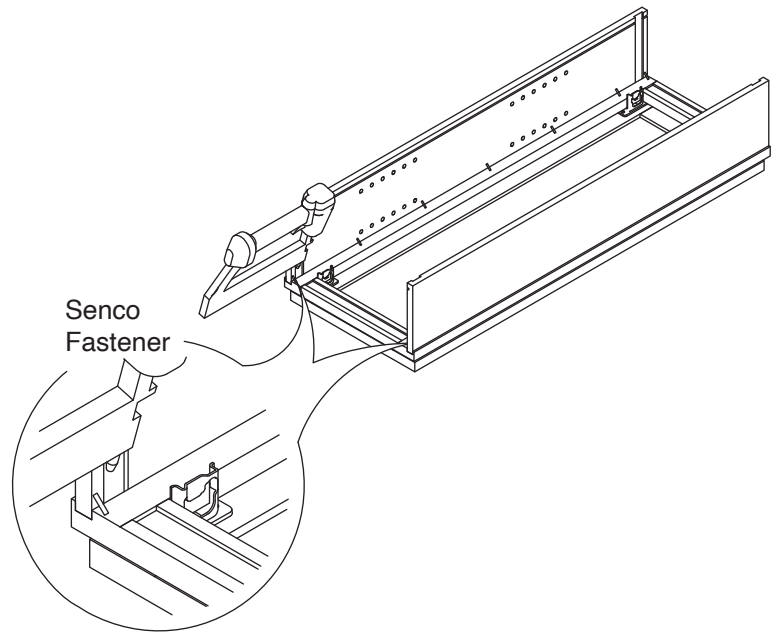
Step 2:



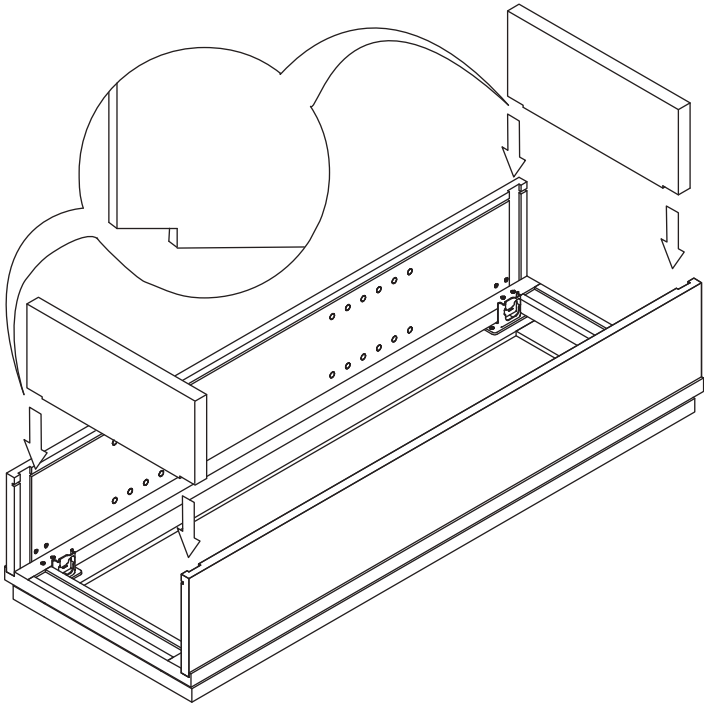
Step 3:



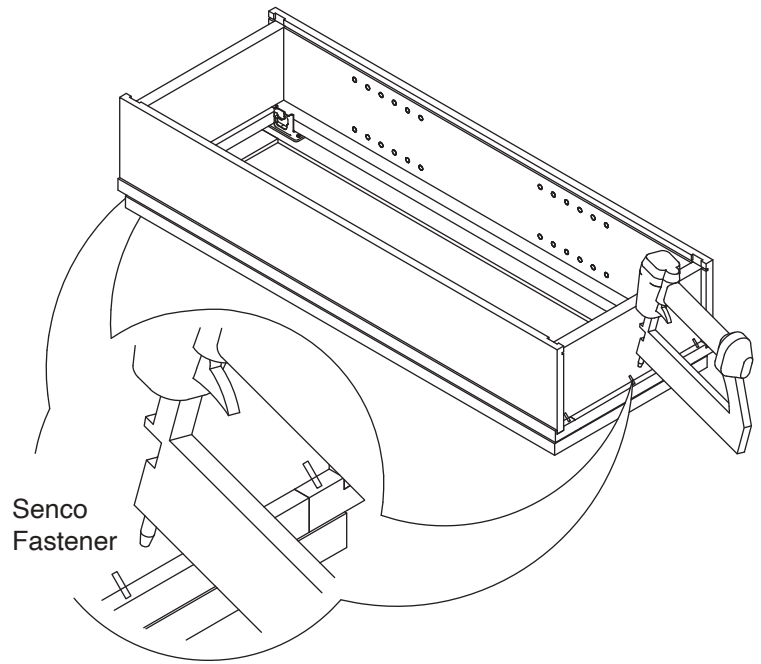
Step 4:



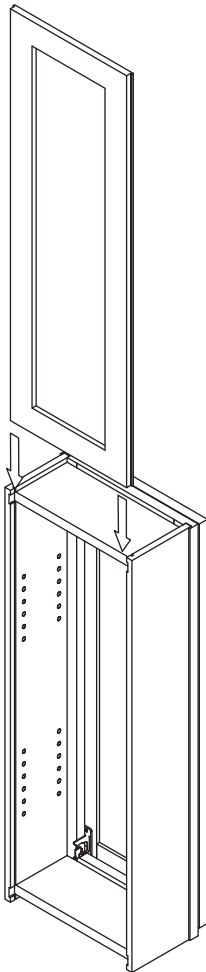
Step 5:



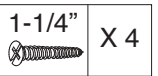
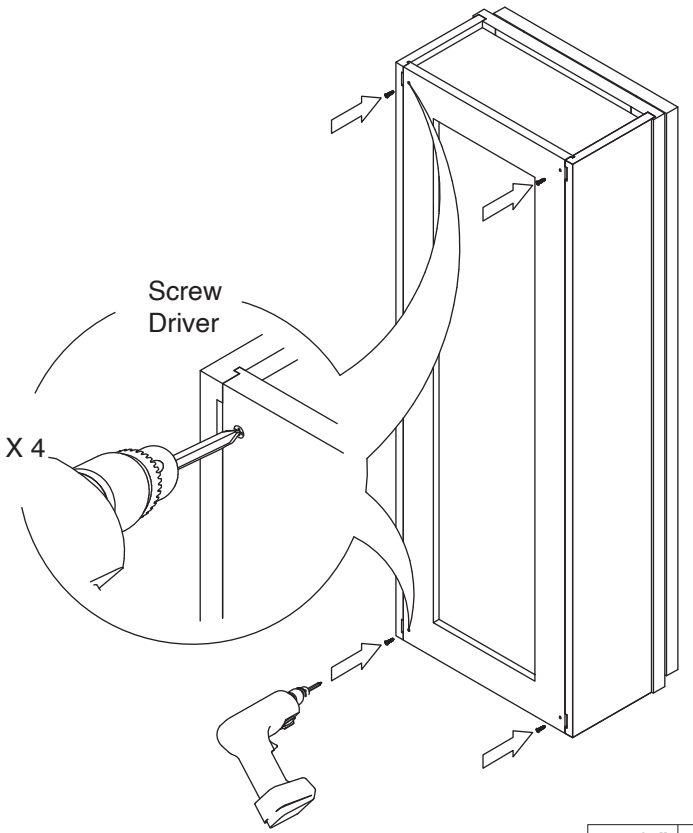
Step 6:



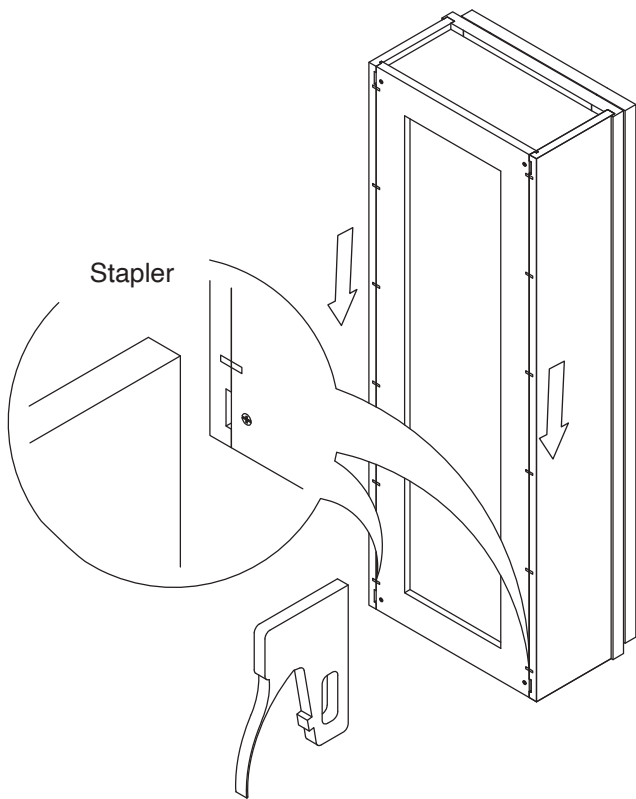
Step 7:



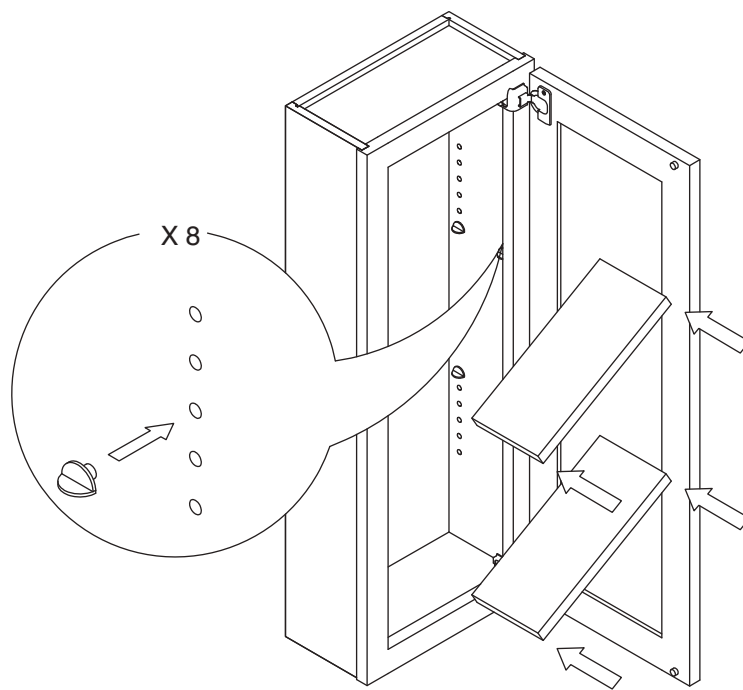
Step 8:



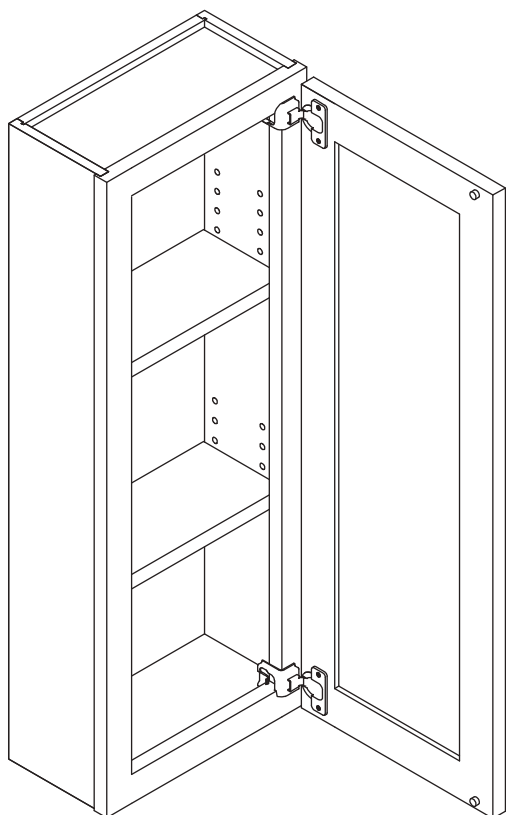
Step 9:



Step 10:



Step 11:



Step 12:

