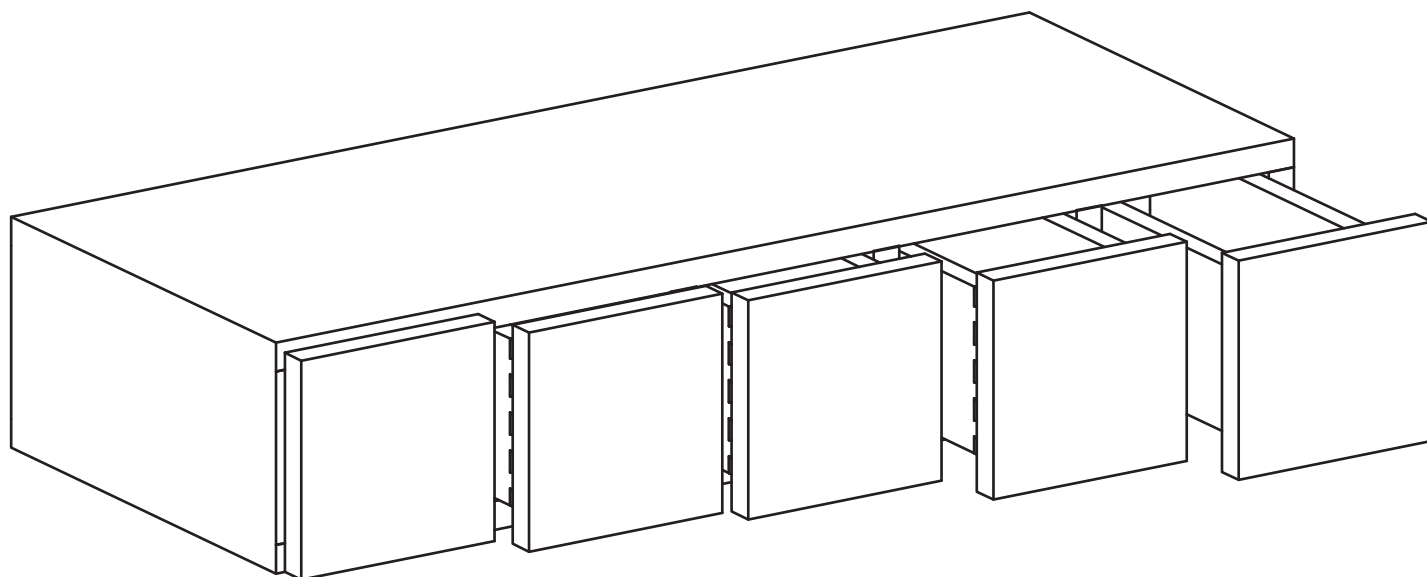


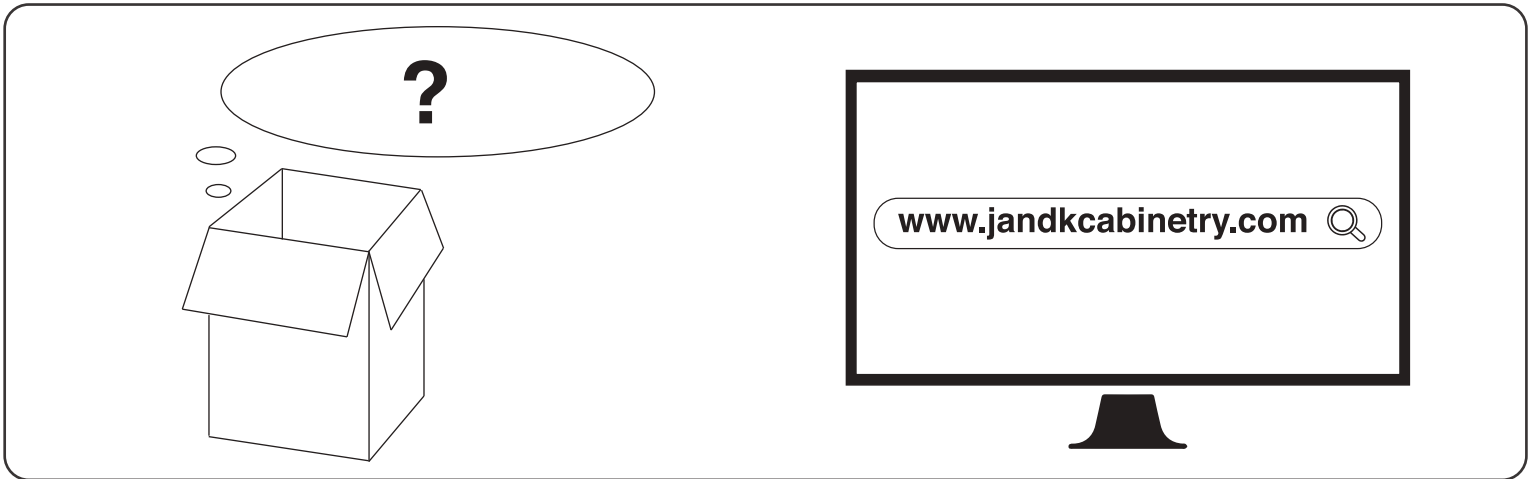
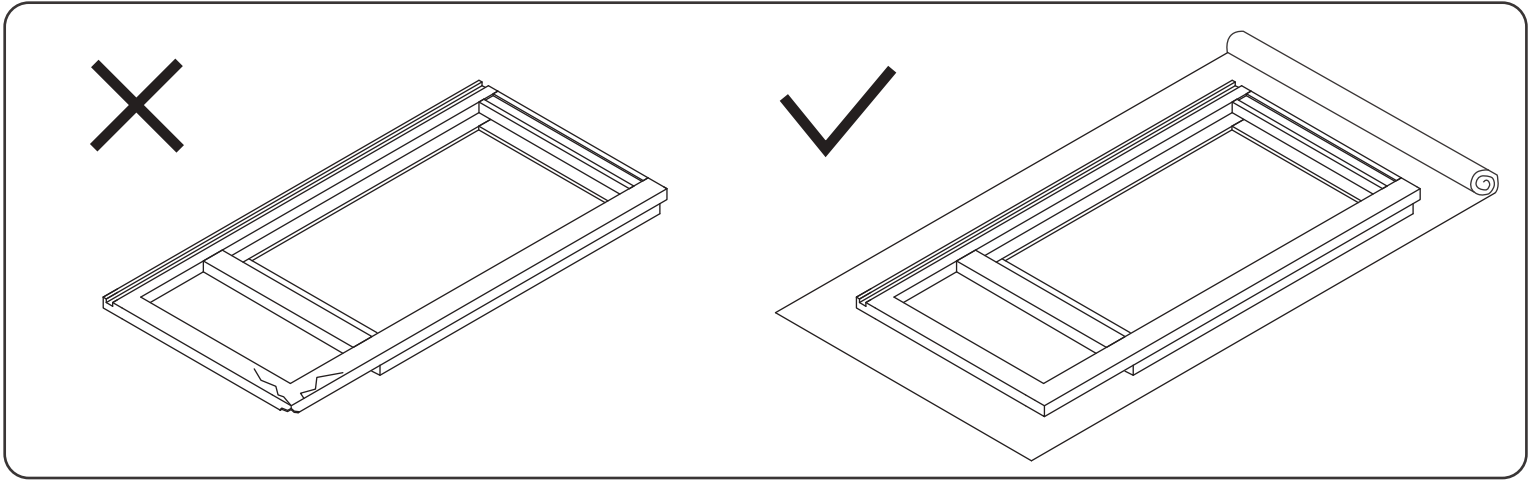
Assembly Instruction

2020 Edition



Wall Spice Drawer Cabinet

Item Code:
WWRC6



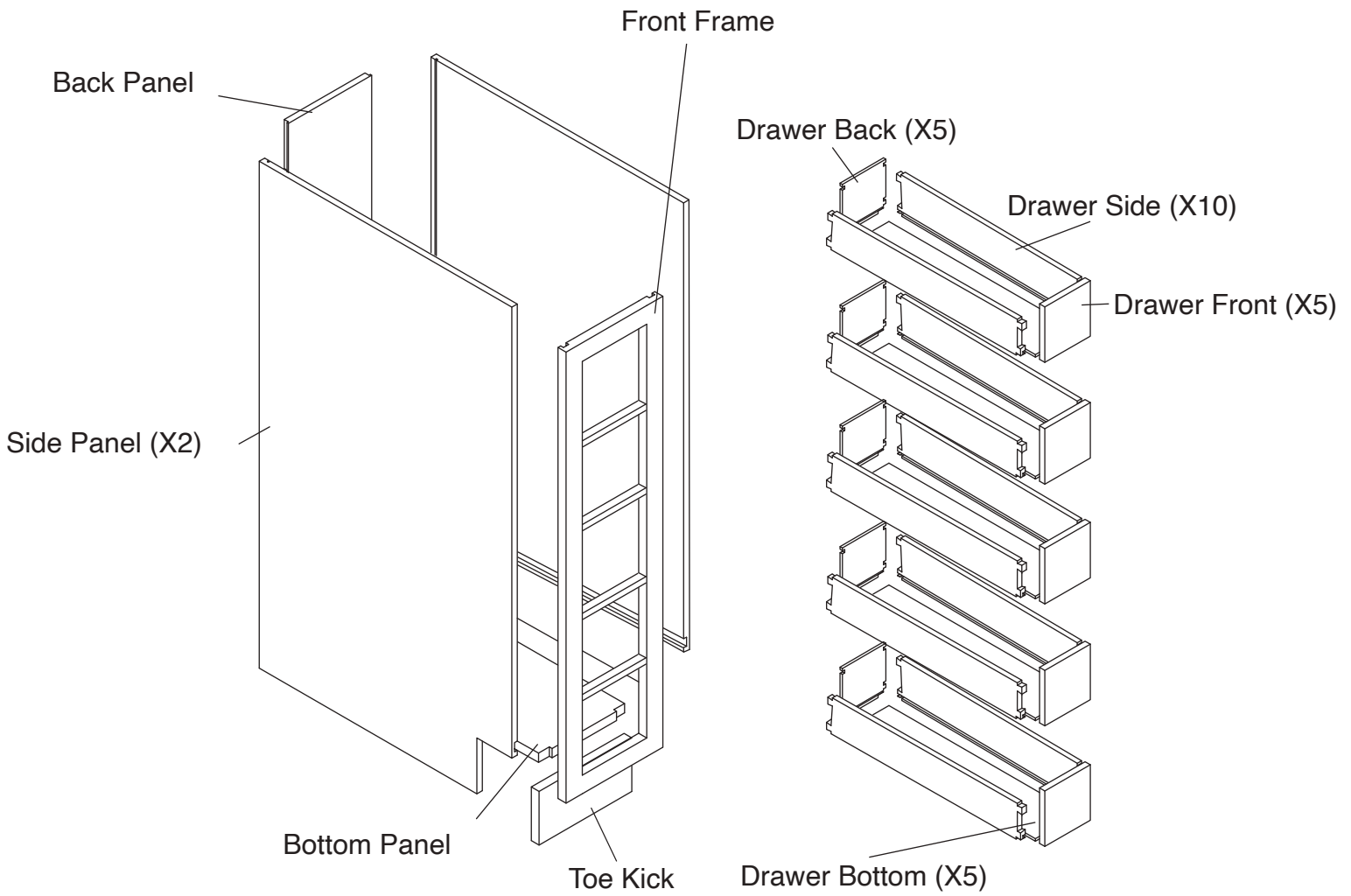
! WARNING:



1. Please be careful when opening the box with boxcutter and/or blade.
2. J&K Cabinetry is not responsible for any injuries and/or damages incurred during cabinet assembly.

? SERVICE:

During the installation process, if you encounter any problems, please go to our official website: www.jandkcabinetry.com, check the full version assembly instruction or watch the assembly video online.

Included Items:



<p>1-3/16"</p> 	
<p>Screws X 2</p>	<p>Door Bumpers X 20</p>

Recommended Tools:



Wood Glue



Screw Driver



Rubber Mallet



Compressor



Nail Gun



Stapler



Senco Fastener

Safety Tools:

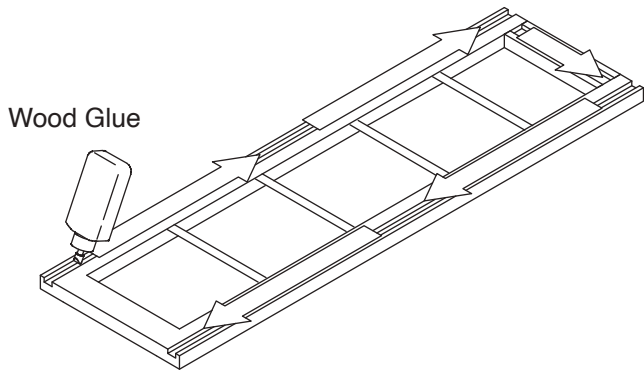


Eye Wear

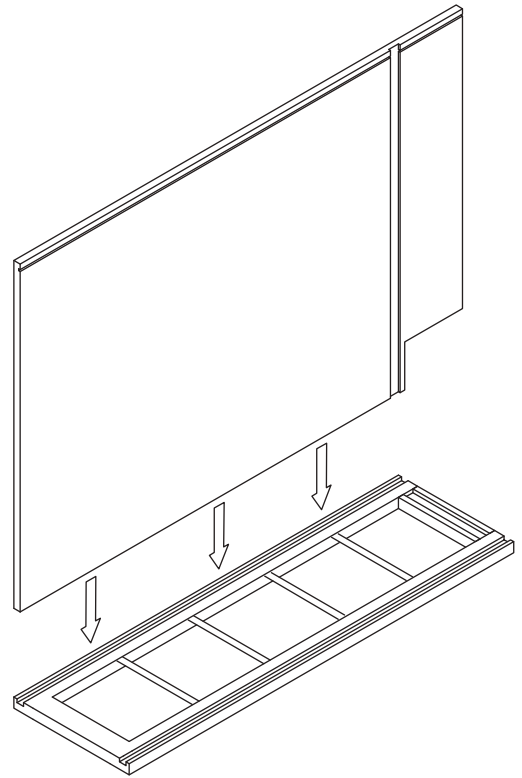


Gloves

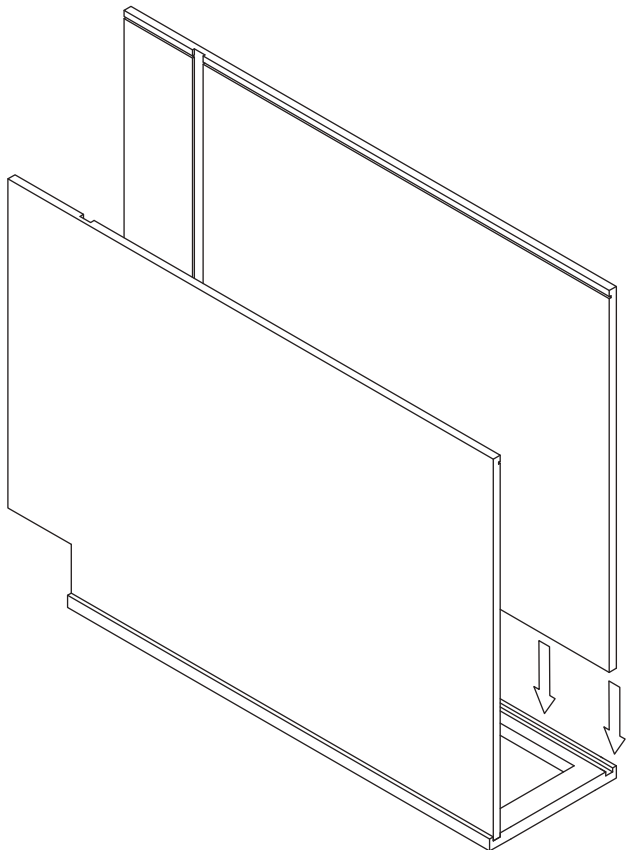
Step 1:



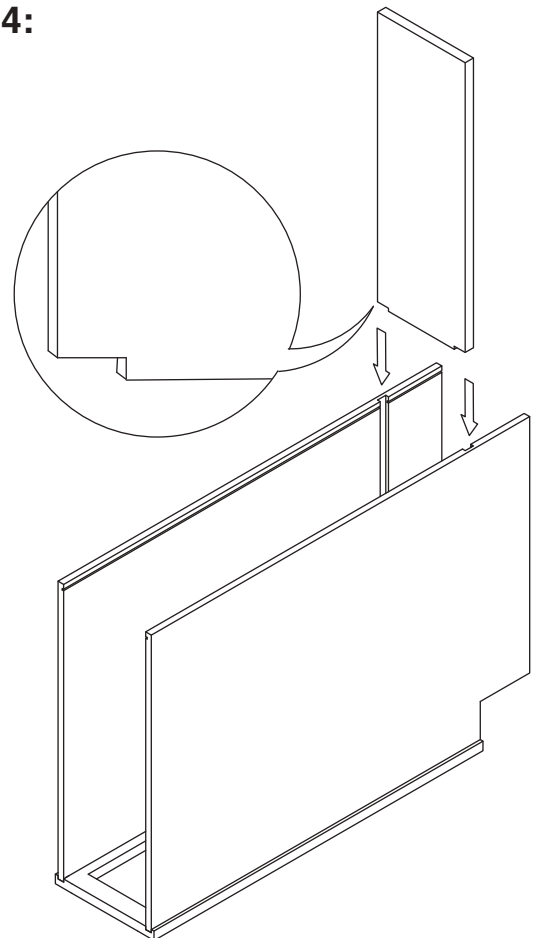
Step 2:



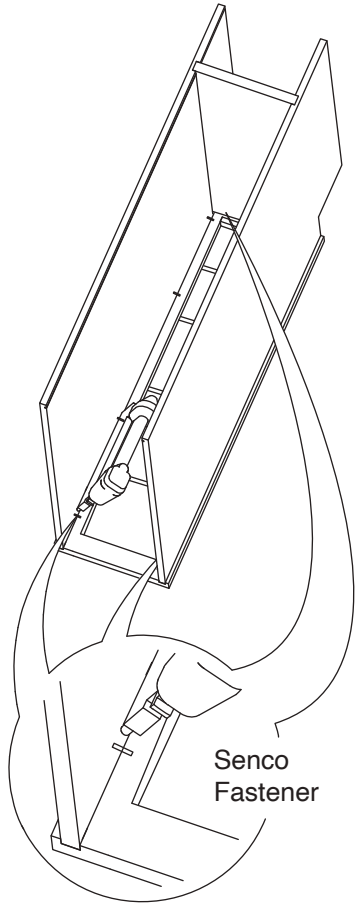
Step 3:



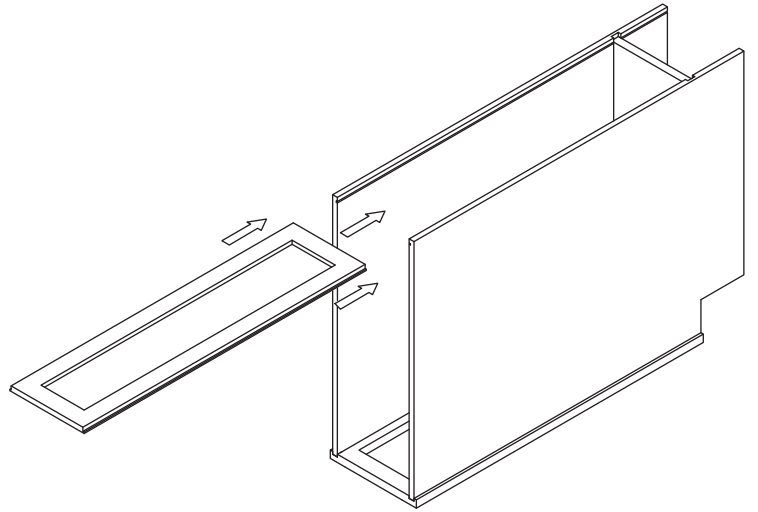
Step 4:



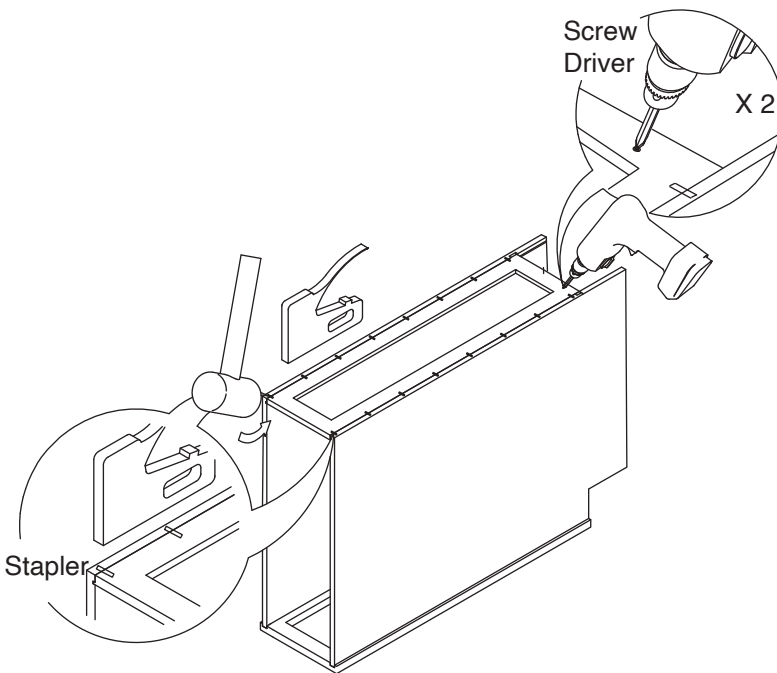
Step 5:



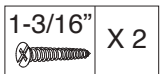
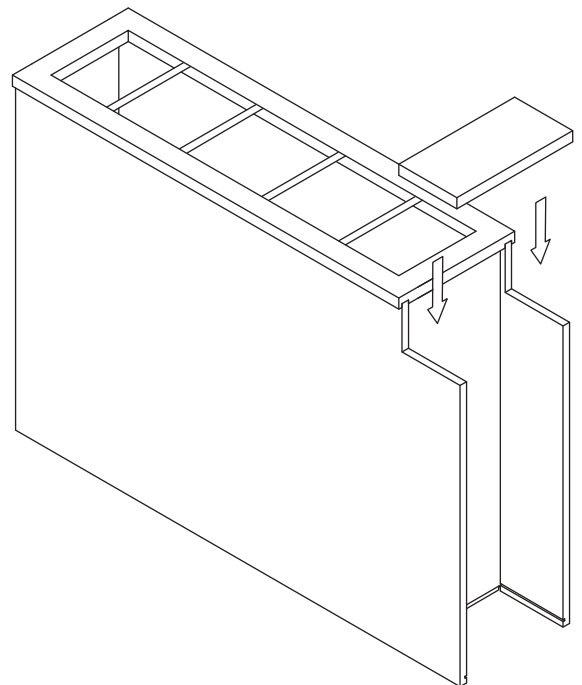
Step 6:



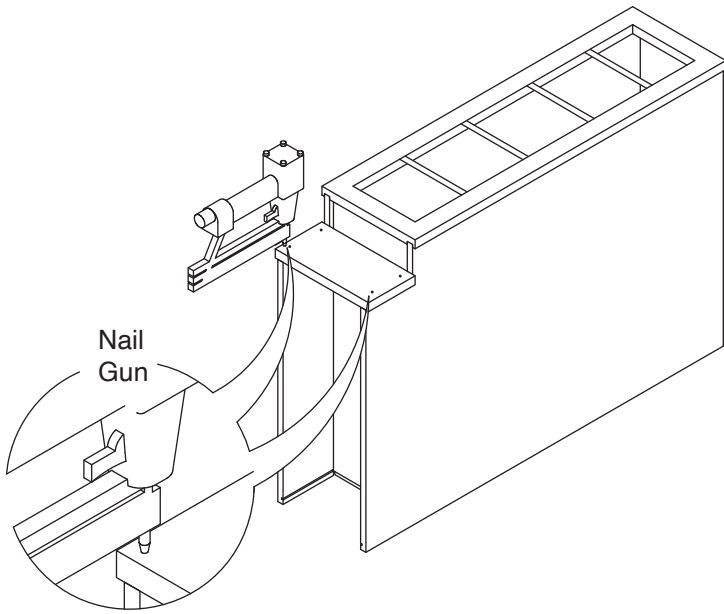
Step 7:



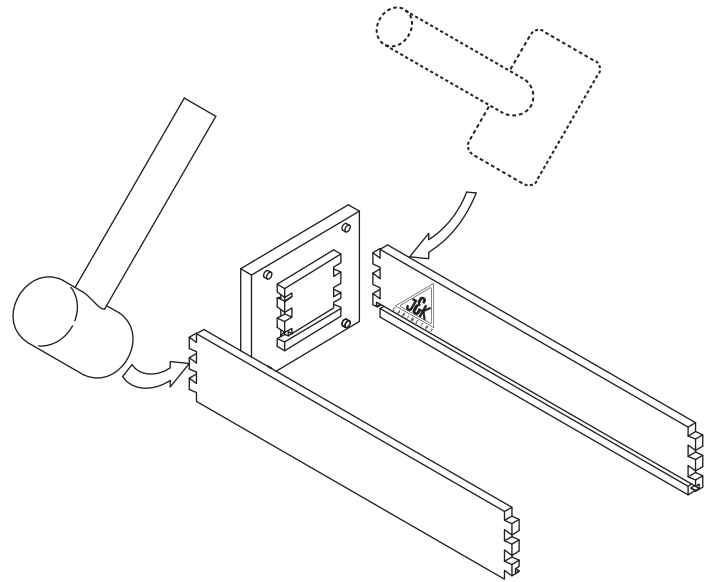
Step 8:



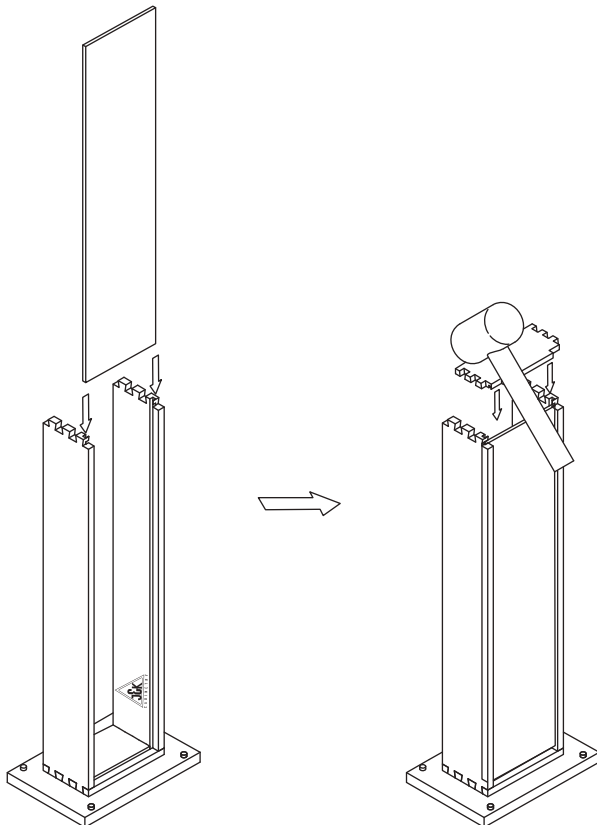
Step 9:



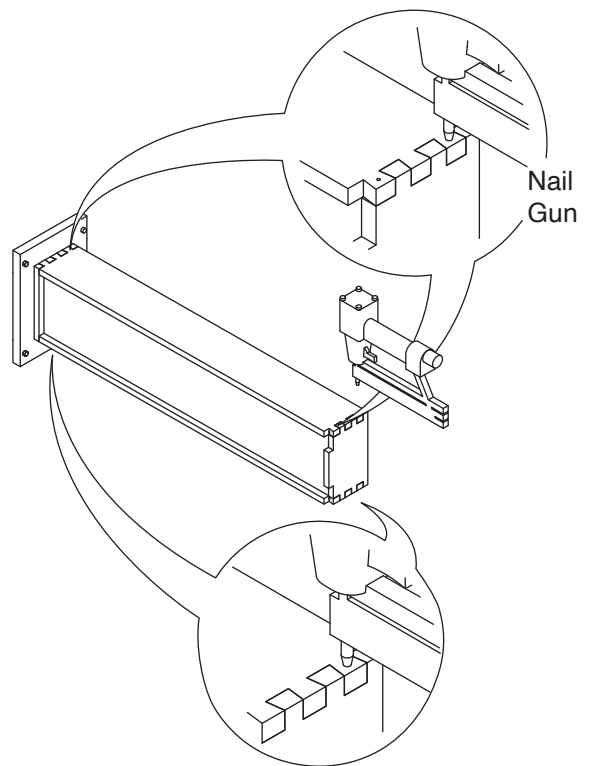
Step 10:



Step 11:

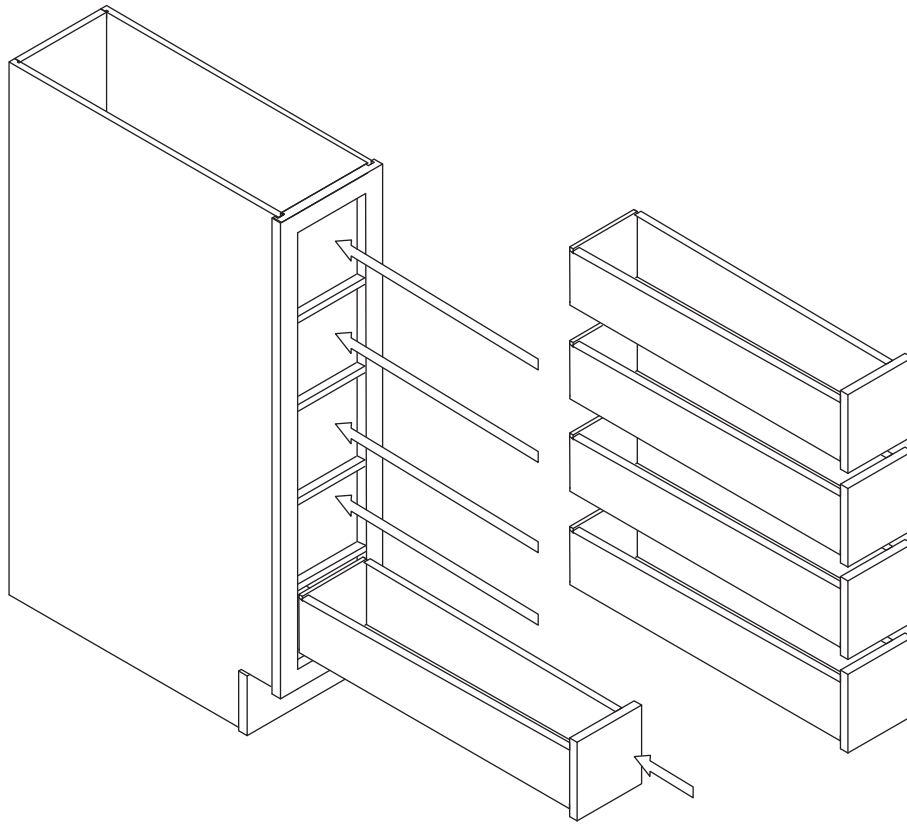


Step 12:



* repeat for other drawer

Step 13:



* repeat for other drawer

Step 14:

